

HELI

• EFFICIENT • QUALITY • TRUSTWORTHY

5.0t

4.0t



h2000
SERIES

ENGINE POWERED 4.0 - 5.0 t

CPCD40 / 45 / 50 CPQD40 / 45 / 50

Import & distribute by:
UNITRACK HELI SDN. BHD. (593857-P)

FRANCHISE
2011
Celebrating Malaysia's
Enterprising Spirit

ISO9001
ISO 9001 CERTIFICATION

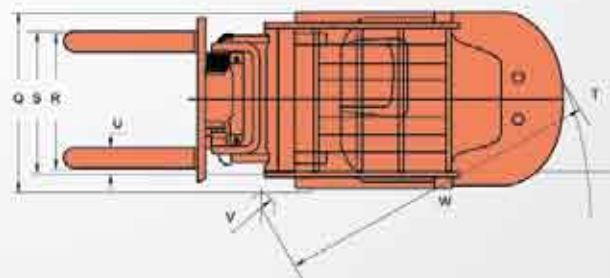
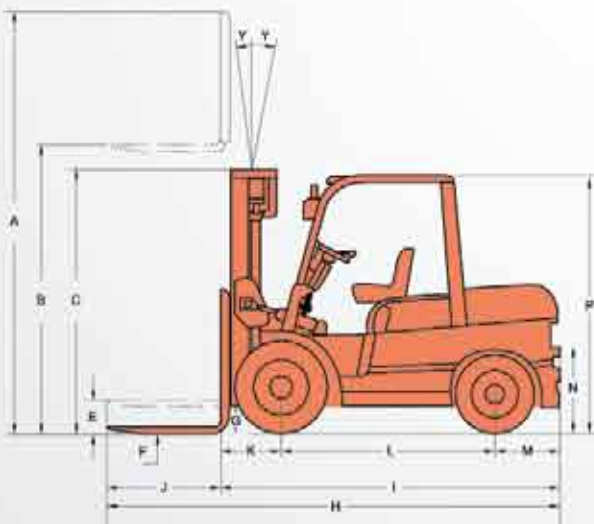
CE
CE CERTIFICATION

PERFORMANCE

Model		CPCD40 / CPQD40	CPCD45 / CPQD45	CPCD50 / CPQD50	
Load Capacity	kg	4000	4500	5000	
Load Center	mm	500	500	500	
Lifting Speed (Load / Unloaded)	mm / s	450 / 455	450 / 455	430 / 435	
Travelling Speed (Forward / Backward)	km / h	16 / 24 / 18	16 / 24 / 18	16 / 24 / 18	
Max Drawbar Pull (Loaded)	kg	2200	2200	2200	
Gradeability (Unloaded / Loaded)	%	19 / 20	17 / 18	16 / 17	
Min. Turning Radius	W	mm	2720	2740	2800
Min. Intersecting Aisle		mm	3345	3365	3410
Tilting Angles (Forward - Backward)	Y	Degree	6° - 12°	6° - 12°	6° - 12°

DIMENSIONS

Overall Height Fork Raised (With Backrest)	A	mm	4200	4200	4200
Standard Fork Lifting Height	B	mm	3000	3000	3000
Overall Height Fork Lowered	C	mm	2350	2350	2350
Free Lift	E	mm	150	150	150
Fork Size (L x W x T)	J x U x F	mm	1070 x 150 x 55	1070 x 150 x 55	1070 x 150 x 55
Min. Under Clearance (Bottom Of The Mast)	G	mm	165	165	165
Overall Length (With Forks)	H	mm	4160	4180	4224
Overall Length (Without Forks)	I	mm	3090	3110	3154
Front Overhang	K	mm	570	570	570
Wheel Base	L	mm	2000	2000	2000
Rear Overhang	M	mm	520	540	584
Coupler Height	N	mm	390	390	390
Overall Height (Overhead Guard)	P	mm	2290	2290	2290
Overall Width	Q	mm	1480	1480	1480
Lateral Fork Adjustment (Outside Of Fork)	R	mm	300 - 1340	300 - 1340	300 - 1340
Tread (Front / Rear)	S / T	mm	1180 / 1190	1180 / 1190	1180 / 1190
Inside Turning	V	mm	3345	3365	3410
Service Weight		kg	6150	6370	6650
Tires (Front)		two	300-15-20PR	300-15-20PR	300-15-20PR
Tires (Rear)		two	700-12-12PR	700-12-12PR	700-12-12PR



ENGINE OPTION

Engine Model	NISSAN TB4	MITSUBISHI
Fuel Type	Gasoline (Petrol) / LPG	Diesel

ENGINE PERFORMANCE

Rate Output / Speed	kw(hp) / rpm	66 (88) / 2300	64.7 (87) / 2300
Rate Torque / Speed	N.m (kg.m) / rpm	310 (31.6) / 1800	284 (29) / 1600
Cylinder Number	Quantity	6	6
Total Displacement	ml	4163	4996
Fuel Capacity	l	90	90