

HELI

• EFFICIENT • QUALITY • TRUSTWORTHY

7.0t

5.0t

h2000
SERIES

ENGINE POWERED 5.0 - 7.0 t
CPCD50 / 60 / 70

Import & distribute by:
UNITRACK HELI SDN. BHD. (593857-P)

Entrepreneur
2011
Celebrating Malaysia's
Entreprising Spirit

ISO9001
ISO 9001 CERTIFICATION

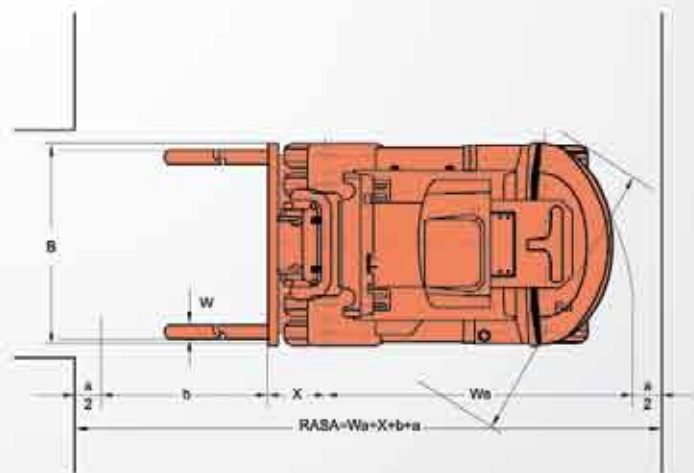
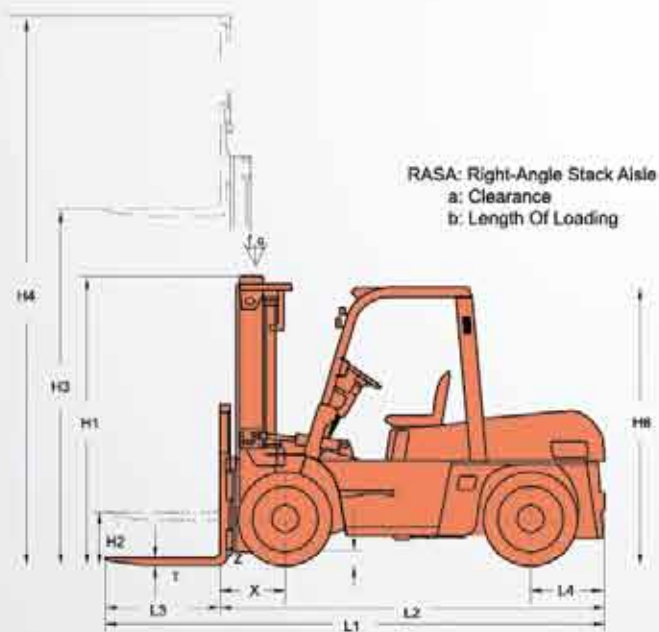
CE
CE CERTIFICATION

PERFORMANCE

Model		CPCD 50	CPCD 60	CPCD 70
Load Capacity	kg	5000	6000	7000
Load Center	mm	600	600	600
Standard Tire		6pcs	6pcs	6pcs
Tire (Front)	four	8.25-15-14PR	8.25-15-14PR	8.25-15-14PR
Tire (Back)	two	8.25-15-14PR	8.25-15-14PR	8.25-15-14PR
Lifting Speeds (Unloaded / Loaded)	mm/s	470/450	470/440	480/420
Max Towing (Unloaded / Loaded)	kN	22/42	22/42	22/41
Gradeability (Unloaded / Loaded)	%	19/23	19/20	19/20
Max Travelling Speed (Loaded / Unloaded)	Km/h	26/30	26/30	26/30

DIMENSIONS

Standard Maximum Fork Height	H3	mm	3000	3000	3000
Free Lift	H2	mm	200	200	200
Fork Size (L x W x T)	L3/W/T	mm	1220 x 150 x 55	1220 x 150 x 60	1220 x 150 x 65
Tilt Angle (F/B)	f/c	Deg	6/12	6/12	6/12
Overall Length (With Fork)	L1	mm	4660	4735	4800
Overall Length (Without Fork)	L2	mm	3440	3515	3580
Overall Width	B	mm	1995	1995	1995
Overhead Guard Height	H8	mm	2450	2450	2450
Overall Height of Mast	H1	mm	2500	2500	2500
Max height for Raised (With Load Bracket)	H4	mm	4420	4420	4420
Min Turning Radius	Wa	mm	3250	3300	3370
Max Intersecting Aisle	RASA	mm	2960	3000	3040
Service Weight		kg	7980	8640	9350
Minimum Underclearance (Bottom of the Mast)	z	mm	200	200	200
Front Overhang	x	mm	590	590	590
Rear Overhang	L4	mm	600	675	740



ENGINE OPTION

Engine Model	MTSUBISHI
Fuel Type	6S-T TURBO Diesel

ENGINE PERFORMANCE

Rate Output / Speed	kw(hp) / rpm	69.9 (94) / 2300
Rate Torque / Speed	N.m (kg.m) / rpm	302 / 1600
Cylinder Number	Quantity	6
Total Displacement	ml	4998