

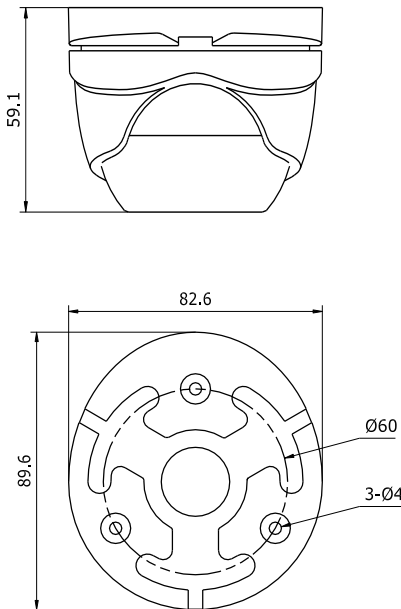
## DIR7915 – 750TVL Indoor 15m IR Dome Camera



### Features

- 1.3M 1280x960 CMOS Sensor
- 750 TVL Color / 800 TVL B&W
- 3.6 / 6mm Fixed Lens
- 3D-DNR
- SMART-IR
- AWB, AGC
- TDN (True Day & Night) or Filter Change
- Wide Voltage input : DC6 – 20V
- 24pcs IR LED
- 0 Lux up to 15m
- Metal Casing Vandal Resistant

### DIMENSION



### SPECIFICATION

Model	DIR7915
Image Sensor	1/3" Progressive Scan CMOS Sensor
Resolution	750TVL, Pixels 1280x960 (1.3 Mega)
Shuttle	1/50s ~ 1/100,000s
Lens	M12 3.6 / 6mm Fixed Lens
Video Output	1Vp-p Video Composite
Day & Night	Filter Change or True Day&Night (TDN)
Minimum Illumination	0 Lux up to 15m
S/N Ratio	>58 DB
Gamma	0.45
Sync	Internal
Working Environment	-10° ~ +50°C Non-Condensing
Power	12VDC, Max. 300mA
Dimension (mm)	90 x 83 x 70mm(H), 400g