

# Air Filter (SAF)

## SAF100~600 Series



SAF100



SAF200



SAF300



SAF400



SAF600

### How to order

**SAF 4 00 - 04 BD - MeP**

① Air Filter

② Body Size

- 1 - 1/8
- 2 - 1/4
- 3 - 3/8
- 4 - 1/2, 3/4
- 6 - 1

③ Thread type

- Nil - Rc(PT)
- N - NPT
- G - G(PF)

④ Port Size

| Symbol | Size | Body size |   |   |   |   |
|--------|------|-----------|---|---|---|---|
|        |      | 1         | 2 | 3 | 4 | 6 |
| M5     | M5   | ●         |   |   |   |   |
| 01     | 1/8  | ●         |   |   |   |   |
| 02     | 1/4  |           | ● |   |   |   |
| 03     | 3/8  |           |   | ● |   |   |
| 04     | 1/2  |           |   |   | ● |   |
| 06     | 3/4  |           |   |   | ● | ● |
| 10     | 1    |           |   |   |   | ● |

⑤ Accessory(Optional)

- Nil - None Bracket / Manual Drain
- B - Bracket

Note) SAF100 is no bracket options.

- D - Auto Drain

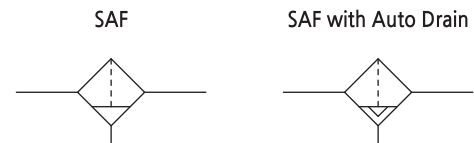
| Symbol | Description            | Body |   |   |   |   |
|--------|------------------------|------|---|---|---|---|
|        |                        | 1    | 2 | 3 | 4 | 6 |
| D      | One-touch fitting type | ●    | ● | ● | ● | ● |
| Dn     | Nipple(PT1/8) type     | -    | - | ● | ● | ● |
| Df     | SAF200 Float type      | -    | ● | - | - | - |

⑥ Bowl

- Nil - PC bowl
- MeP - Metal bowl with pipe type sight glass

주) 1. SAF100 and SAF200 are differential pressure type.  
2. SAF300~600 are float type.

### Symbol



### Specification

|                         |                               |
|-------------------------|-------------------------------|
| Fluid                   | Compressed Air                |
| Max. operating pressure | 10bar (1.0MPa)                |
| Max. supply pressure    | 15bar (1.5MPa)                |
| Ambient and Media temp. | -5~60℃ (No freezing)          |
| Filtration              | 10μm (option: 2, 5, 20, 40)   |
| Bowl material           | Poly-carbonate (option: ALDC) |

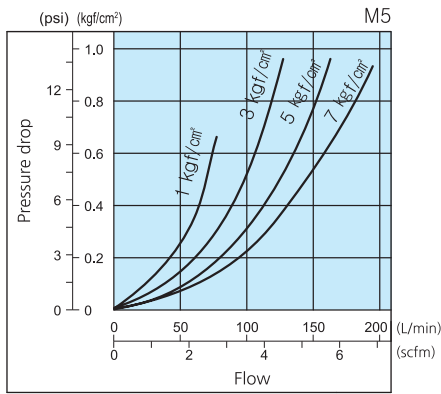
### Precautions

- ① Do not use Poly-carbonate bowls in an environment where they are exposed to or come in contact with organic solvents, chemicals, cutting oil, synthetic oil, alkali, and thread lock solutions.
- ② Components with a bowl must be installed vertically with the bowl downward so that faulty drain discharge and dripping can be verified.
- ③ When auto drain is used, drain piping should be both 4mm or greater in diameter and less than 1m in length. Avoid installing drain piping upwards.
- ④ When auto drain is used it is recommended to use at least 1.5bar pressure.
- ⑤ When auto drain is inoperable, drain manually by pushing the one-touch fitting upward.
- ⑥ Before disassembling the equipment on the compressed air side to inspect the auto drain or to replace the filter element, confirm that the pressure is set to zero.

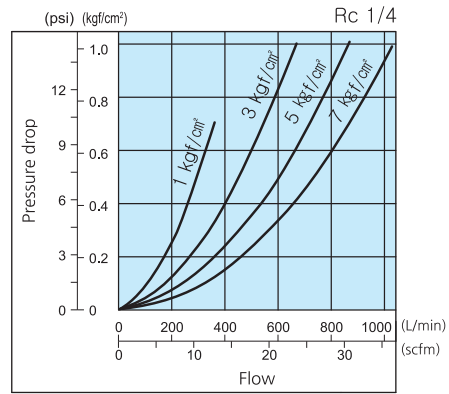
## FLOW CHARACTERISTICS

Note : Replace the element every 2 years or when the pressure drop becomes 1 bar(0.1Mpa), whichever comes first, to prevent damage to the element.

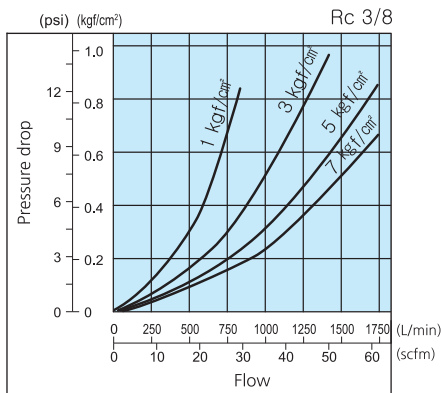
### SAF 100



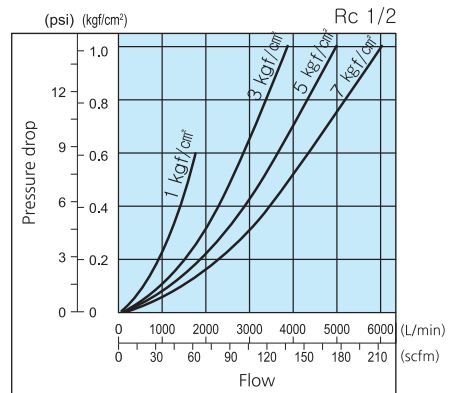
### SAF 200



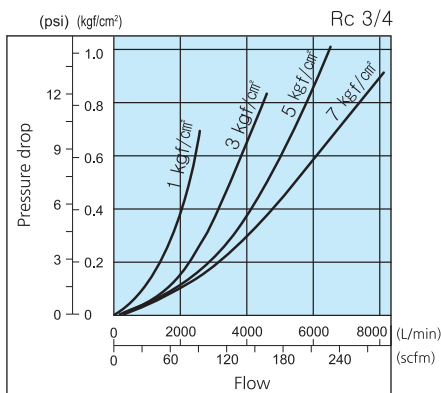
### SAF 300



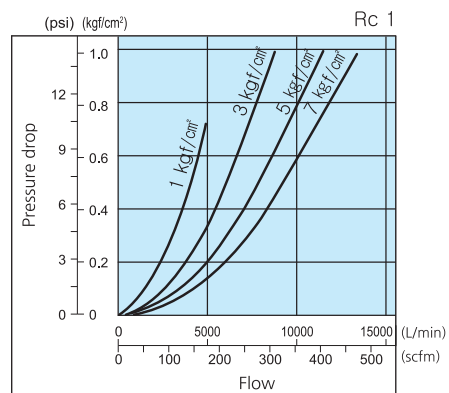
### SAF 400-04



### SAF 400-06



### SAF 600



SAU

SAU  
LARGE FLOW

SAU  
HIGH PRESS.

SAW

SAWM  
SAWD

SAF

SAF  
LARGE FLOW

SAFM  
SAFD

SAR

SAR  
LARGE FLOW

SAR  
T-HANDLE

SAR  
HIGH PRESS.

SRP

SAL

SAL  
LARGE FLOW

AUTO-DRAIN  
KITS

SHVS

SPS100

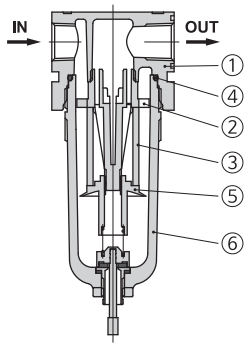
ACCESSORY

CAUTION

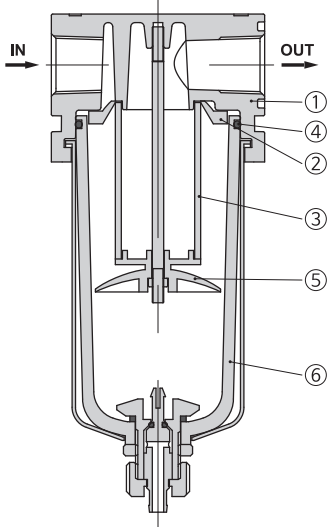
# Series SAF100~600

## STRUCTURE / PARTS

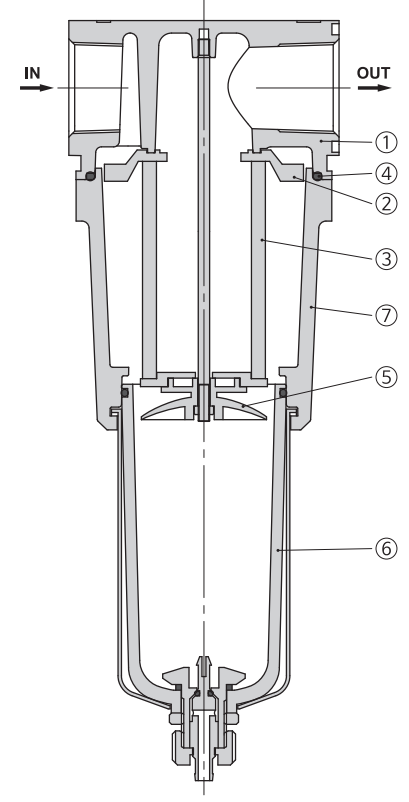
SAF100, SAF200



SAF300, SAF400



SAF600



■ Component Parts

| No. | PARTS                    | MATERIAL |
|-----|--------------------------|----------|
| ①   | Body                     | ALDC     |
| ②   | Impeller                 | ABS      |
| ⑤   | Baffle                   | ABS      |
| ⑥   | Bowl Ass'y <sup>1)</sup> | PC       |
| ⑦   | Housing                  | ALDC     |

1) Bowl Ass'y for the SAF300 to SAF600 models comes with a bowl guard (steel band material).

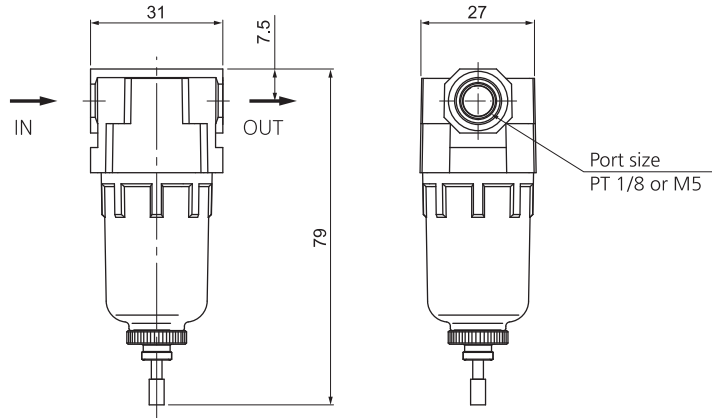
■ Replacement Parts

| No. | PARTS   | MATERIAL | Part no. |         |         |         |         |
|-----|---------|----------|----------|---------|---------|---------|---------|
|     |         |          | SAF100   | SAF200  | SAF300  | SAF400  | SAF600  |
| ③   | Element | -        | F100-EL  | F200-EL | F300-EL | F400-EL | F600-EL |
| ④   | O-ring  | NBR      | S22      | U024    | 38x2    | U137    | U137    |

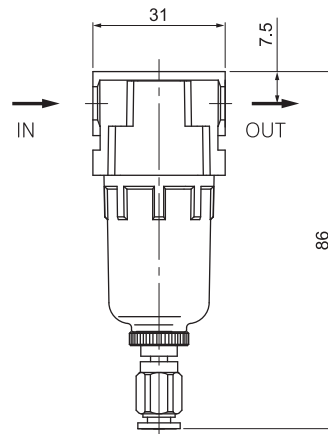
## DIMENSIONS (mm)

### SAF 100

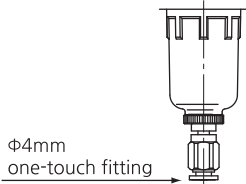
- SAF100-□01(M5)□



- Dimensions of each model with an option attached



with Auto Drain  
(Differential pressure type)

| Option | D : Auto Drain (Differential pressure type)   |
|--------|---|
| Model  |  <p>φ4mm<br/>one-touch fitting</p> |

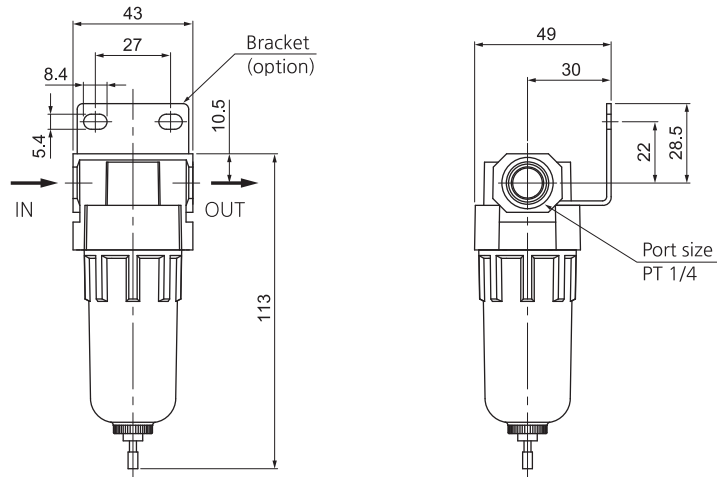
- SAU
- SAU  
LARGE FLOW
- SAU  
HIGH PRESS.
- SAW
- SAWM  
SAWD
- SAF
- SAF  
LARGE FLOW
- SAFM  
SAFD
- SAR
- SAR  
LARGE FLOW
- SAR  
T-HANDLE
- SAR  
HIGH PRESS.
- SRP
- SAL
- SAL  
LARGE FLOW
- AUTO-DRAIN  
KITS
- SHVS
- SPS100
- ACCESSORY
- CAUTION

# Series SAF100~600

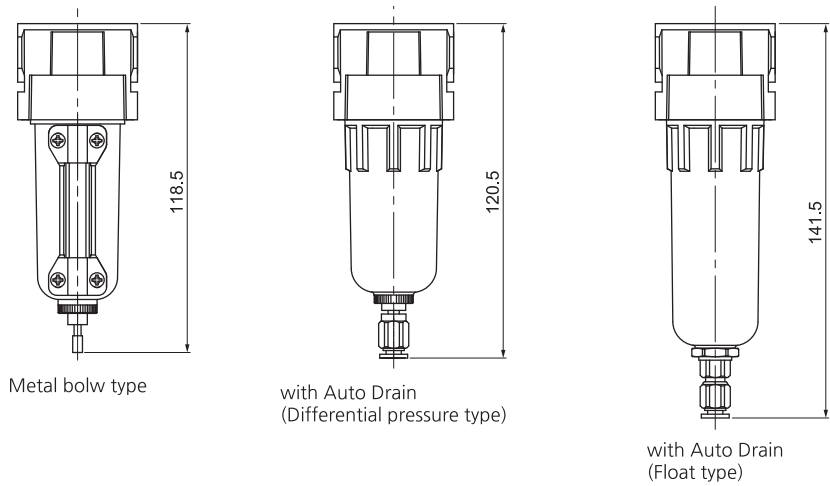
## DIMENSIONS (mm)

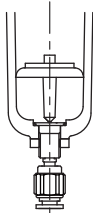
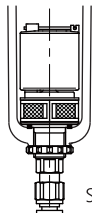
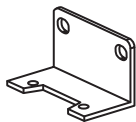
### SAF 200

- SAF200-□02□□



- Dimensions of each model with an option attached

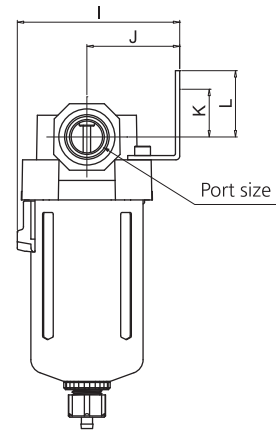
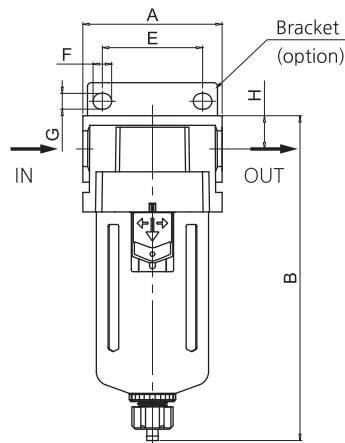


| Option | Auto Drain  |  | B : Bracket  |
|--------|---|--|--|
|        | D : Differential pressure type  | Df : Float type  |  |
| Model  |  |  SAD200 |  B200 |

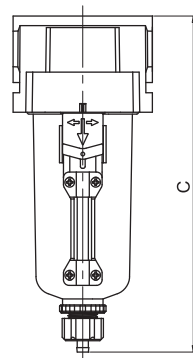
## DIMENSIONS (mm)

### SAF 300~400

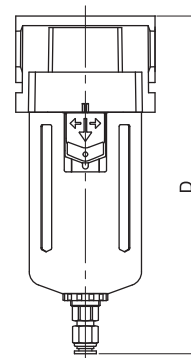
- SAF300-□03□□
- SAF400-□04(06)□□



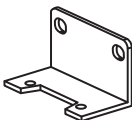
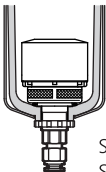
- Dimensions of each model with an option attached



Metal bowl type



with Auto drain

| Option | B : Bracket   | D : Auto Drain  |
|--------|---|---|
| Model  | <br>SAF300 : B300<br>SAF400 : B400 | <br>SAF300 : SAD300<br>SAF400 : SAD400 |

| Model     | Port size | A  | B   | C   | D   | E  | F   | G   | H    | I  | J    | K    | L    |
|-----------|-----------|----|-----|-----|-----|----|-----|-----|------|----|------|------|------|
| SAF300-03 | 3/8       | 57 | 143 | 151 | 149 | 40 | 7.9 | 6.3 | 14   | 65 | 36.5 | 14   | 21   |
| SAF400-04 | 1/2       | 75 | 174 | 179 | 181 | 54 | 10  | 8.5 | 17.9 | 85 | 50   | 25.7 | 35.7 |
| SAF400-06 | 3/4       | 75 | 178 | 183 | 185 | 54 | 10  | 8.5 | 19.8 | 85 | 50   | 25.1 | 35.1 |

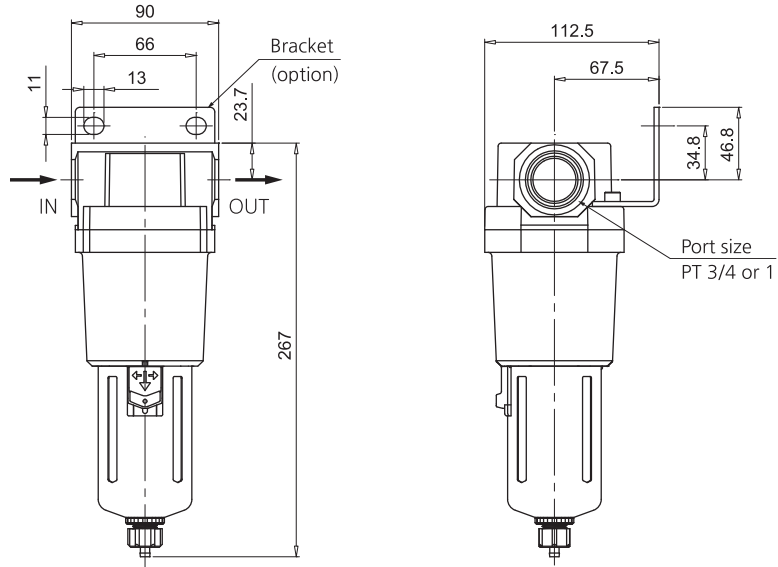
- SAU
- SAU  
LARGE FLOW
- SAU  
HIGH PRESS.
- SAW
- SAWM  
SAWD
- SAF
- SAF  
LARGE FLOW
- SAFM  
SAFD
- SAR
- SAR  
LARGE FLOW
- SAR  
T-HANDLE
- SAR  
HIGH PRESS.
- SRP
- SAL
- SAL  
LARGE FLOW
- AUTO-DRAIN  
KITS
- SHVS
- SPS100
- ACCESSORY
- CAUTION

# Series SAF100~600

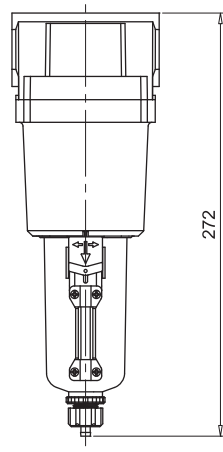
## DIMENSIONS (mm)

### SAF 600

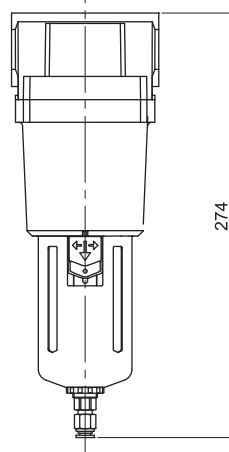
- SAF600-□06□□
- SAF600-□10□□



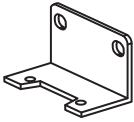

- Dimensions of each model with an option attached



Metal bowl type



with Auto drain

| Option | B : Bracket   | D : Auto Drain  |
|--------|---|---|
| Model  | <br>B600 | <br>SAD400 |