

# Mist Separator (SAFM)

## Micro Mist Separator (SAFD)

SAFM200~400 Series  
SAFD200~400 Series

- Series SAFM Nominal filtration rating: 0.1 μm.
- Series SAFD Nominal filtration rating: 0.01 μm.



SAFM200



SAFD200

### How to order

**SAFM 3 00 - 03 BD - MeP**  
Mist Separator

**SAFD 3 00 - 03 BD - MeP**  
Micro Mist Separator

① **Body Size**

- 2 - 1/4
- 3 - 3/8
- 4 - 1/2, 3/4

② **Thread type**

- Nil - Rc(PT)
- N - NPT
- G - G(PF)

③ **Port Size**

Symbol	Size	Body size		
		2	3	4
02	1/4	●		
03	3/8		●	
04	1/2			●
06	3/4			●

④ **Accessory(Optional)**

- Nil - None Bracket / Manual Drain
- B - Bracket
- D - Auto Drain

Symbol	Description	Body		
		2	3	4
D	One-touch fitting type	●	●	●
Dn	Nipple(PT1/8) type	-	●	●
Df	SAFM, SAFD200 Float type	●	-	-

주) 1. SAFM, SAFD200 are differential pressure type.  
2. SAFM, SAFD300~400 are float type.

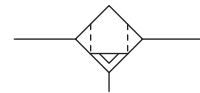
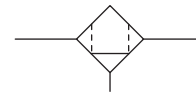
⑤ **Bowl**

- Nil - PC bowl
- MeP - Metal bowl with pipe type sight glass

### Symbol

SAFM  
SAFD

오토드레인부착 SAFM  
오토드레인부착 SAFD



### Specification

Fluid	Compressed Air	
Max. operating pressure	10bar (1.0MPa)	
Min. operating pressure	0.5bar (0.05MPa)	
Max. supply pressure	15bar (1.5MPa)	
Ambient and Media temp.	-5 ~ 60°C (No freezing)	
Filtration	SAFM	0.1μm
	SAFD	0.01μm
Construction	Poly-carbonate (option: ALDC)	

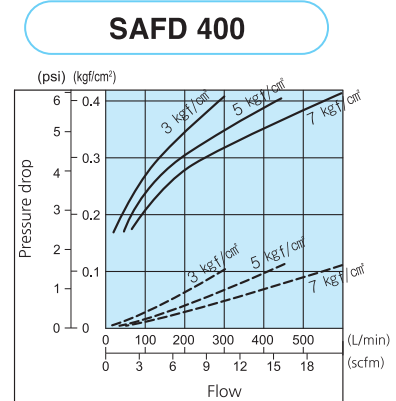
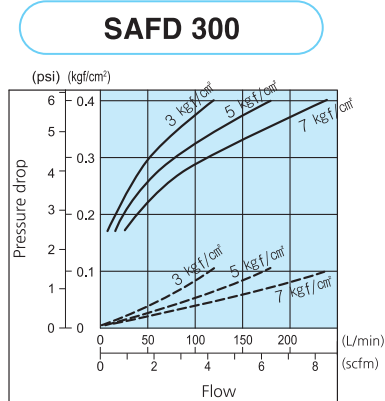
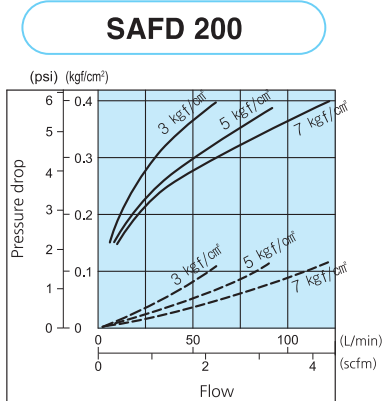
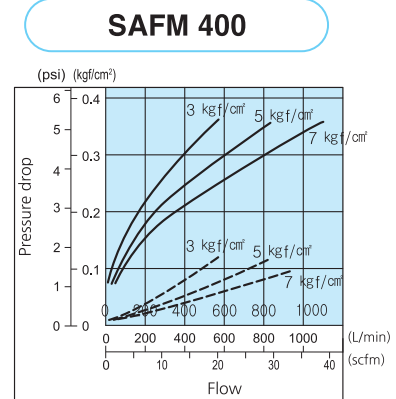
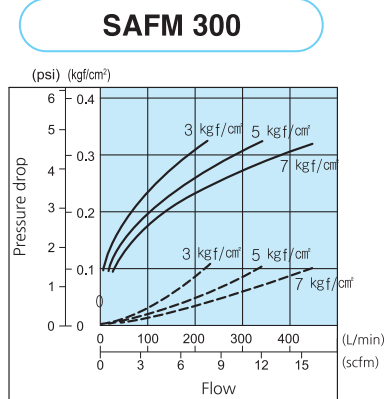
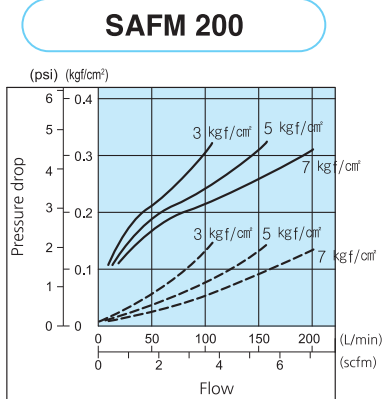
### Precautions

- ① Do not use Poly-carbonate bowls in an environment where they are exposed to or come in contact with organic solvents, chemicals, cutting oil, synthetic oil, alkali, and thread lock solutions.
- ② Components with a bowl must be installed vertically with the bowl downward so that faulty drain discharge and dripping can be verified.
- ③ When auto drain is used, drain piping should be both 4mm or greater in diameter and less than 1m in length. Avoid installing drain piping upwards.
- ④ When auto drain is used it is recommended to use at least 1.5bar pressure.
- ⑤ When auto drain is inoperable, drain manually by pushing the one-touch fitting upward.
- ⑥ Before disassembling the equipment on the compressed air side to inspect the auto drain or to replace the filter element, confirm that the pressure is set to zero.

# Mist Separator Micro Mist Separator

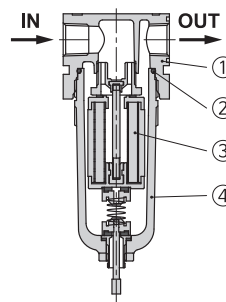
## FLOW CHARACTERISTICS

(— Element oil saturation    - - - Initial condition)

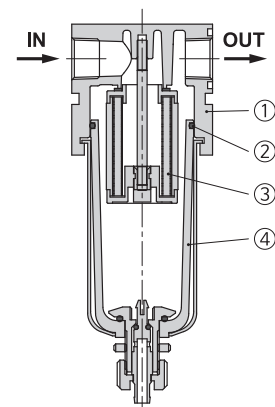


## STRUCTURE / PARTS

SAFM 200  
SAFD 200



SAFM 300 to 400  
SAFD 300 to 400



### Component Parts

No.	PARTS	MATERIAL
①	Body	ALDC
④	Bowl Ass'y <sup>1)</sup>	PC

Note : 1. Bowl Ass'y comes with a bowl guard (steel band material).

### Replacement Parts

No.	PARTS	MATERIAL	Part no.					
			SAFM200	SAFD200	SAFM300	SAFD300	SAFM400	SAFD400
②	O-ring	NBR	U024		38x2		U137	
③	Filter	-	FM200-EL	FD200-EL	FM300-EL	FD300-EL	FM400-EL	FD400-EL

SAU

SAU  
LARGE FLOW

SAU  
HIGH PRESS.

SAW

SAWM  
SAWD

SAF

SAF  
LARGE FLOW

SAFM  
SAFD

SAR

SAR  
LARGE FLOW

SAR  
T-HANDLE

SAR  
HIGH PRESS.

SRP

SAL

SAL  
LARGE FLOW

AUTO-DRAIN  
KITS

SHVS

SPS100

ACCESSORY

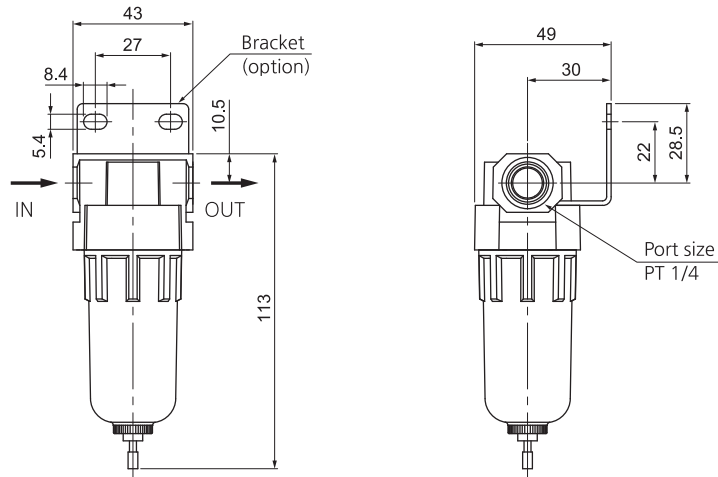
CAUTION

Series SAFM200~400  
Series SAFD200~400

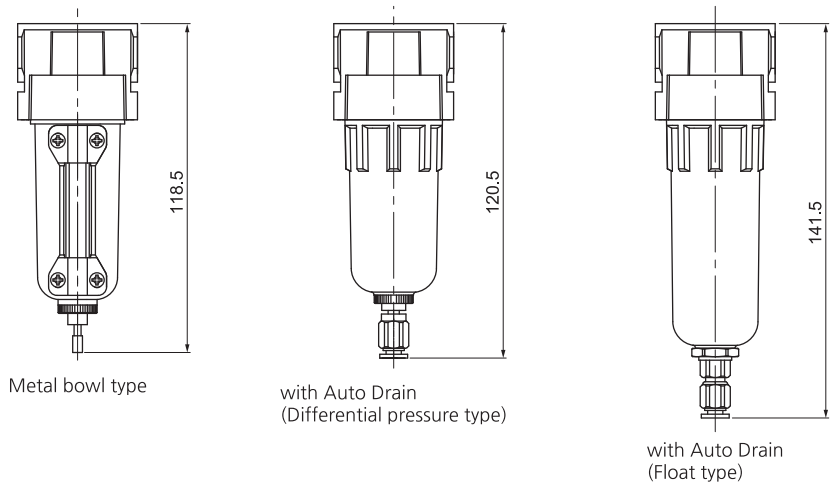
DIMENSIONS (mm)

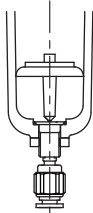
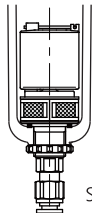
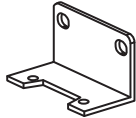
SAFM(SAFD) 200

- SAFM(SAFD) 200-□02□□



- Dimensions of each model with an option attached

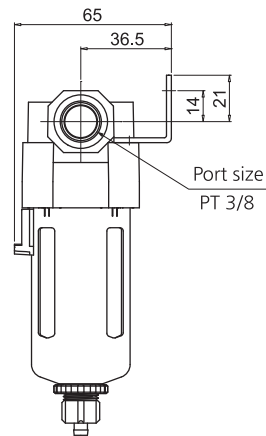
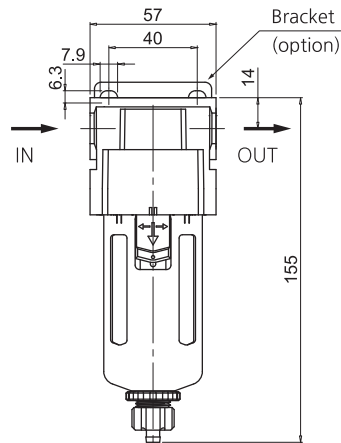


Option	Auto Drain		B : Bracket
	D : Differential pressure type	Df : Float type	
Model		 SAD200	 B200

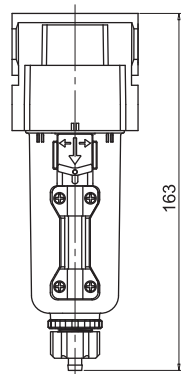
## DIMENSIONS (mm)

### SAFM(SAFD) 300

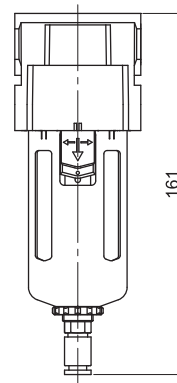
- SAFM(SAFD)300-□03□□



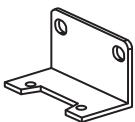
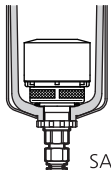
- Dimensions of each model with an option attached



Metal bowl type



with Auto drain

Option	B : Bracket	D : Auto Drain
Model	 <p>B300</p>	 <p>SAD300</p>

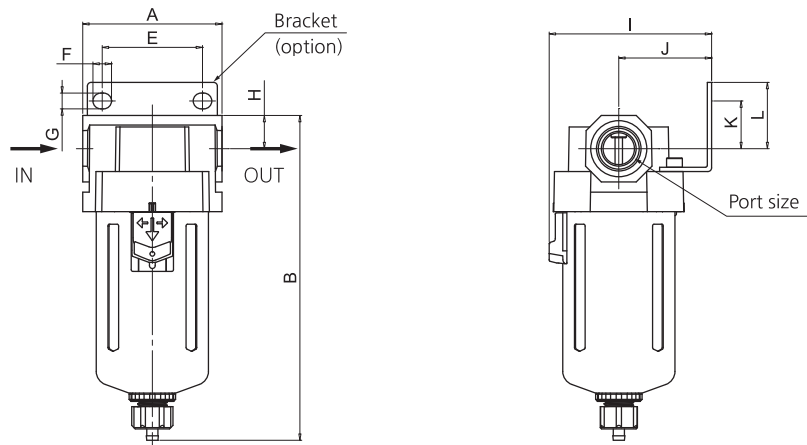
- SAU
- SAU  
LARGE FLOW
- SAU  
HIGH PRESS.
- SAW
- SAWM  
SAWD
- SAF
- SAF  
LARGE FLOW
- SAFM  
SAFD
- SAR
- SAR  
LARGE FLOW
- SAR  
T-HANDLE
- SAR  
HIGH PRESS.
- SRP
- SAL
- SAL  
LARGE FLOW
- AUTO-DRAIN  
KITS
- SHVS
- SPS100
- ACCESSORY
- CAUTION

Series SAFM200~400  
Series SAFD200~400

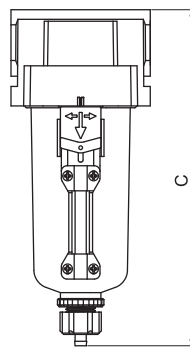
DIMENSIONS (mm)

SAFM(SAFD) 400

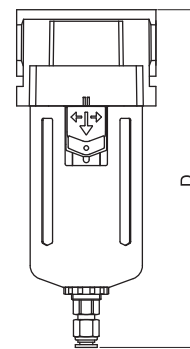
- SAFM(SAFD)400-□04□□
- SAFM(SAFD)400-□06□□



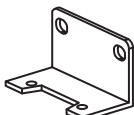
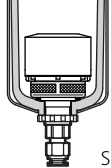
- Dimensions of each model with an option attached



Metal bowl type



with Auto drain

Option	B : Bracket	D : Auto Drain
Model	 B400	 SAD400

Model	Port size	A	B	C	D	E	F	G	H	I	J	K	L
SAFM(SAFD)400-04	1/2	75	174	179	181	54	10	8.5	17.9	85	50	25.7	35.7
SAFM(SAFD)400-06	3/4	75	178	183	185	54	10	8.5	19.8	85	50	25.1	35.1