

Large Flow Air Filter (SAF)

SAF800~900 Series



SAF800



SAF900

SAU

SAU
LARGE FLOW

SAU
HIGH PRESS.

SAW

SAWM
SAWD

SAF

SAF
LARGE FLOW

SAFM
SAFD

SAR

SAR
LARGE FLOW

SAR
T-HANDLE

SAR
HIGH PRESS.

SRP

SAL

SAL
LARGE FLOW

AUTO-DRAIN
KITS

SHVS

SPS100

ACCESSORY

CAUTION

How to order

SAF 8 00 - 14 BD - MeP

① **Air Filter**

② **Body Size**
8 - 1 1/4, 1 1/2
9 - 2

③ **Thread type**
Nil - Rc(PT)
N - NPT
G - G(PF)

④ **Port Size**

Symbol	Size	Body size	
		8	9
12	1 1/4	●	
14	1 1/2	●	
20	2		●

⑤ **Accessory(Optional)**

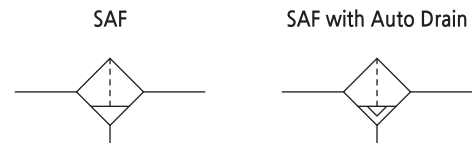
Nil - None Bracket / Manual Drain
B - Bracket
D - Auto Drain

Symbol	Drain type	Drain connector
D	Float	One-touch fitting(Φ6mm)
Dn	Float	Nipple(PT 1/8)

⑥ **Bowl**

Nil - PC bowl
MeP - Metal bowl with pipe type sight glass

Symbol



Specification

Port size	SAF800	1 1/4, 1 1/2
	SAF900	2
Fluid	Compressed Air	
Max. operating pressure	10bar (1.0MPa)	
Max. supply pressure	15bar (1.5MPa)	
Ambient and Media temp.	-5 ~ 60°C (No freezing)	
Filtration	5µm (option: 40)	
Bowl material	Poly-carbonate (option: ALDC)	

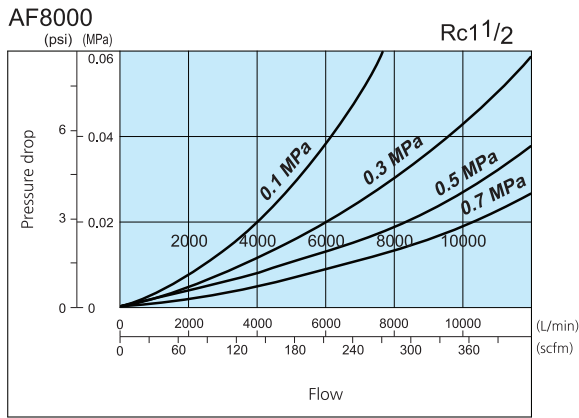
Precautions

- Do not use Poly-carbonate bowls in an environment where they are exposed to or come in contact with organic solvents, chemicals, cutting oil, synthetic oil, alkali, and thread lock solutions.
- Components with a bowl must be installed vertically with the bowl downward so that faulty drain discharge and dripping can be verified.
- When auto drain is used, drain piping should be both 4mm or greater in diameter and less than 1m in length. Avoid installing drain piping upwards.
- When auto drain is used it is recommended to use at least 1.5bar pressure.
- When auto drain is inoperable, drain manually by pushing the one-touch fitting upward.
- Before disassembling the equipment on the compressed air side to inspect the auto drain or to replace the filter element, confirm that the pressure is set to zero.

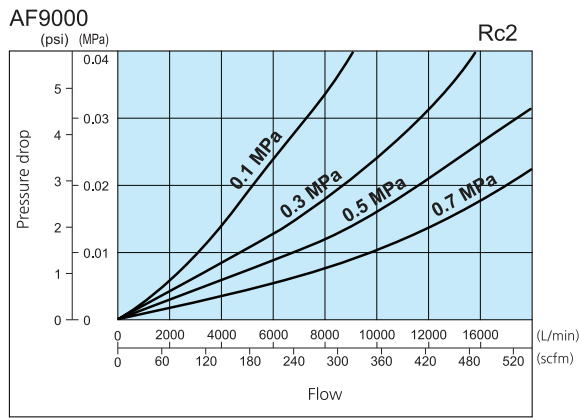
Series SAF800~900

FLOW CHARACTERISTICS

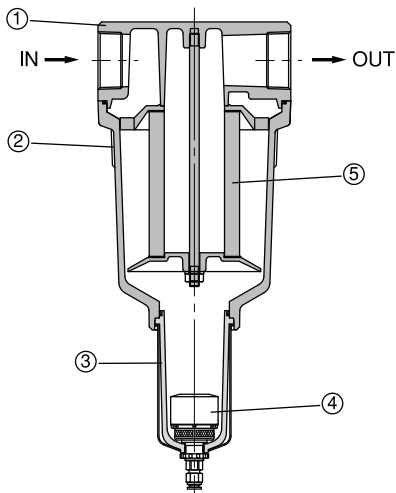
SAF 8000



SAF 9000



STRUCTURE / PARTS



Component Parts

No.	PARTS	MATERIAL
①	Body	ALDC
②	Housing	ALDC
③	Bowl Ass'y ¹⁾	PC
④	Auto Drain	-

1) Bowl Ass'y comes with a bowl guard (steel band material).

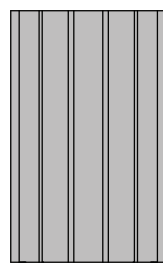
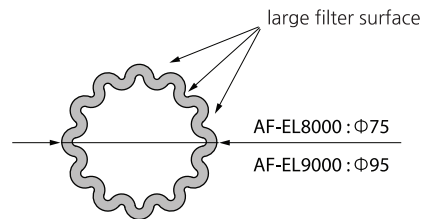
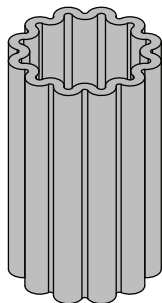
Replacement Parts

(mm)

No.	PARTS	MATERIAL	Size(Φ x Height)
⑤	Element	AF-EL800	75 x 120
		AF-EL900	95 x 180

SKP Filter for large flow

- Material : Porous plastics
- Filtration : 5μm (option : 40μm)
- Large filter surface
- Long life

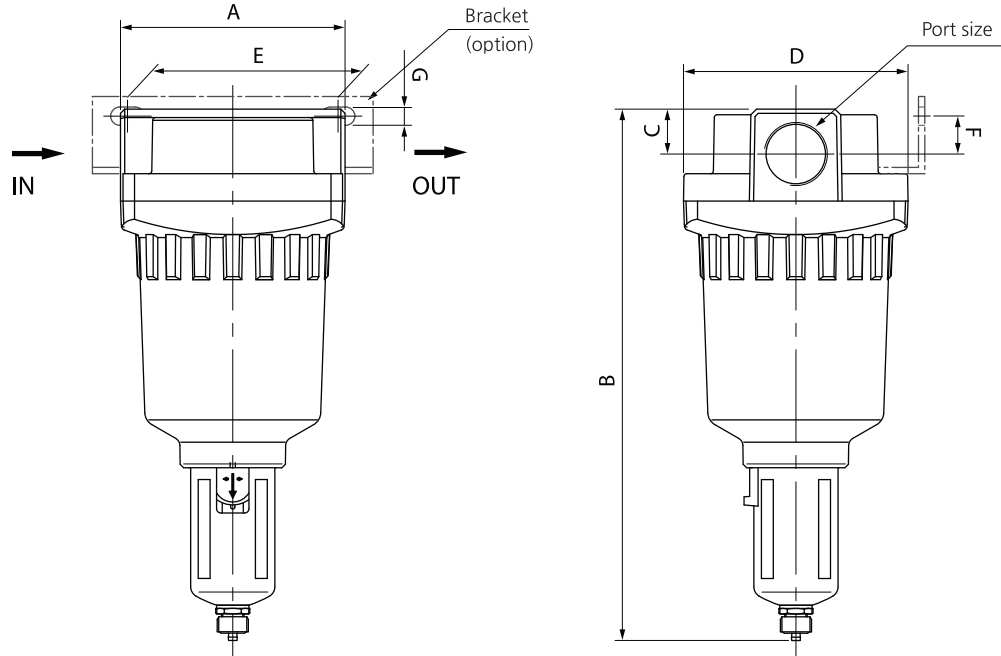


AF-EL8000 : 120 mm
AF-EL9000 : 180 mm



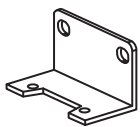
Large Flow Air Filter

DIMENSIONS (mm)

SAF800~900



Model	Port size	A	B	C	D	E	F	G
SAF800	1 1/4, 1 1/2	160	380	32	160	150	27	13
SAF900	2	180	456	42	180	150	30	13

Option	D : Auto Drain	Dn : Auto Drain	B : Bracket
Model	 <p>SAD400 with One-touch fitting</p>	 <p>SAD400 with Nipple(1/8)</p>	 <p>SAF800 : B650 SAF900 : B850</p>

Bowl	PC Bowl		Metal Bowl		
	With D	With Dn	Manual Drain	With D	With Dn
SAF800	386	378	384	390	382
SAF900	462	454	460	466	458

SAU

SAU
LARGE FLOWSAU
HIGH PRESS.

SAW

SAWM
SAWD

SAF

SAF
LARGE FLOWSAFM
SAFD

SAR

SAR
LARGE FLOWSAR
T-HANDLESAR
HIGH PRESS.

SRP

SAL

SAL
LARGE FLOWAUTO-DRAIN
KITS

SHVS

SPS100

ACCESSORY

CAUTION