

Pressure Relief 3port Valve (SHVS)

SHVS200~600 Series

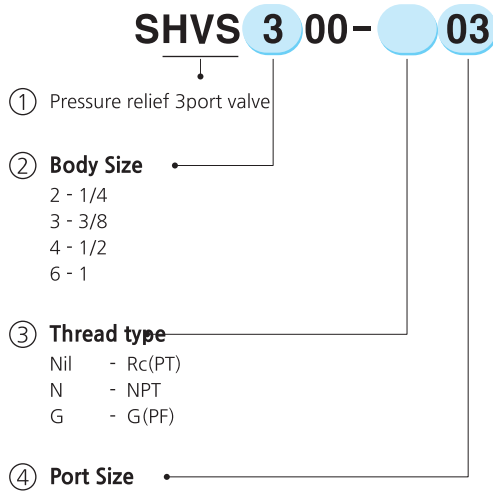
- SHVS can prevent accidents caused by inadvertent air supply problems.



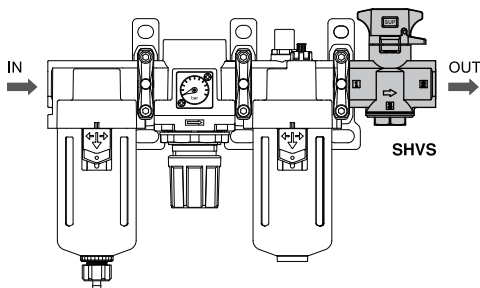
SHVS400

SHVS300

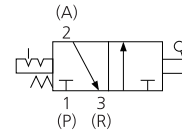
How to order



Symbol	Size	Body size			
		2	3	4	6
02	1/4	●			
03	3/8		●		
04	1/2			●	
06	3/4				●
10	1				●



Symbol



Specification

Model		SHVS200	SHVS300	SHVS400	SHVS600
Port size	IN, OUT	1/4	3/8	1/2	3/4 1
	EXH	1/8	1/4	3/8	1/2
Cv	IN→OUT	0.88	1.72	3.8	5.0 6.5
	OUT→EXH	0.84	1.66	2.4	2.8 3.1
Fluid		Compressed air			
Proof pressure		15bar (1.5MPa)			
Operating pressure range		1~10bar (0.1~1MPa)			
Ambient and fluid temp.		-5~60℃ (No freezing)			
Handle switching angle		90°			

Precautions

- ① Do not supply air pressure from ports other than the 1 (P) port. The valve will malfunction when air pressure is supplied from other ports.
- ② Do not apply negative pressure. It may result in malfunction.
- ③ The valve must be switched to each position instantly and securely. Stopping the knob between the extreme positions may cause malfunction.
- ④ Do not remove the mounting screws from the bonnet. As this may cause malfunction.

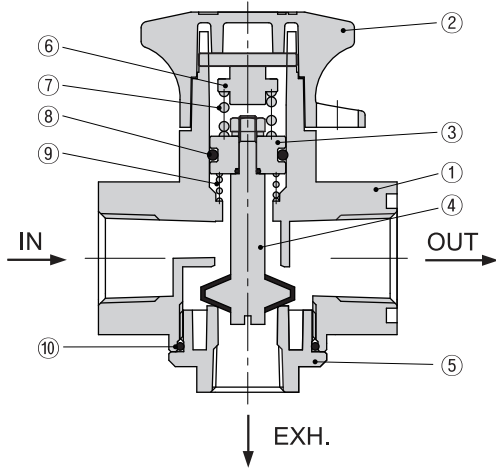
* A spacer or spacer with bracket is required if the valve is combined with modular F.R.L. Please order it separately.

Pressure relief 3port valve	Spacer part no.	Spacer with bracket part no.	Applicable air preparation equipment
SHVS200	B210S	B210T	AU200
SHVS300	B310S	B310T	AU300
SHVS400	B410S	B410T	AU400-04
SHVS600	B610S	B610T	AU600

Pressure Relief 3port Valve

STRUCTURE / PARTS

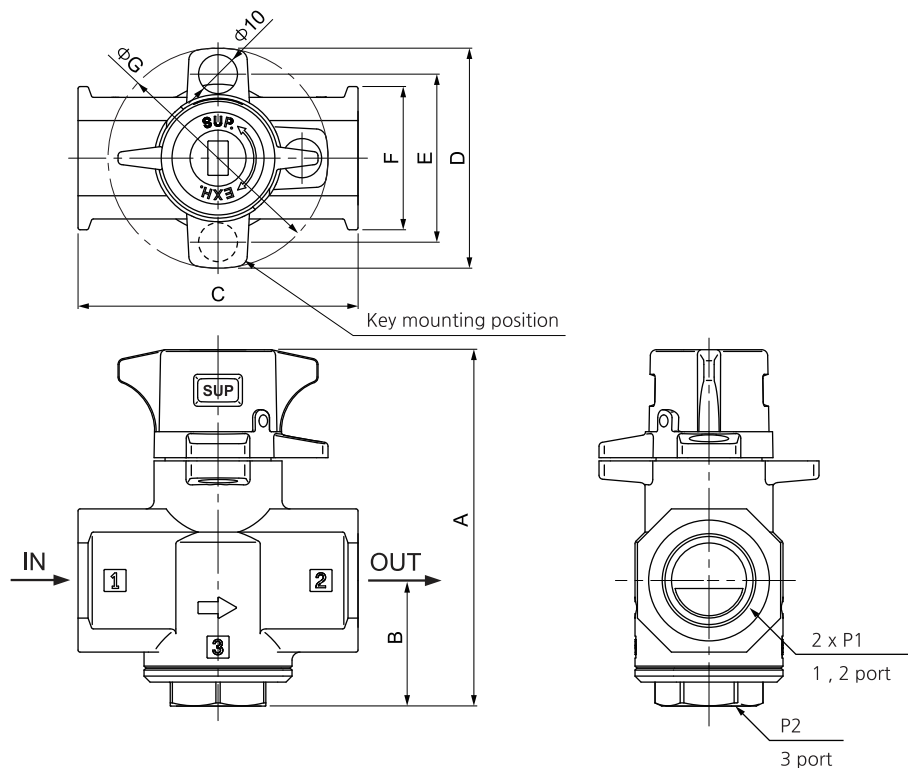
SHVS 200~600



No.	PARTS	MATERIAL
①	Body	ALDC
②	Handle	ALDC
③	Piston	Brass
④	Spool	Brass + NBR
⑤	Cover	ALDC
⑥	Spring guide	SUM
⑦	Spool spring	SUS
⑧	Piston o-ring	NBR
⑨	Spring	SUS
⑩	Cover o-ring	NBR

DIMENSIONS (mm)

SHVS 200~600



Model	P1	P2	A	B	C	D	E	F	G
SHVS 200	1/4	1/8	60	20	40	46	33	25	45.8
SHVS 300	3/8	1/4	79.5	28.5	53	55	42	30	55
SHVS 400	1/2	3/8	89	31.5	70	55	42	35.8	55
SHVS 600	3/4, 1	1/2	119	39.8	90	68	54	52	67.5

SAU

SAU
LARGE FLOW

SAU
HIGH PRESS.

SAW

SAWM
SAWD

SAF

SAF
LARGE FLOW

SAFM
SAFD

SAR

SAR
LARGE FLOW

SAR
T-HANDLE

SAR
HIGH PRESS.

SRP

SAL

SAL
LARGE FLOW

AUTO-DRAIN
KITS

SHVS

SPS100

ACCESSORY

CAUTION