

Air Regulator for High Pressure (SAR)

SAR200H~600H Series

- Highly durable materials are used in the manufacturing of air regulators intended for high pressure operation.



SAR200H



SAR300H



SAR400H



SAR600H

How to order

SAR 4 00 H - 04 BGK

① Air Regulator

② Body Size

2 - 1/4
3 - 3/8
4 - 1/2
6 - 1

③ for high pressure

④ Thread type

Nil - Rc(PT)
N - NPT
G - G(PF)

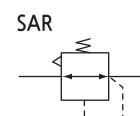
⑤ Port Size

Symbol	Size	Body size			
		2	3	4	6
02	1/4	●			
03	3/8		●		
04	1/2			●	
06	3/4			●	●
10	1				●

⑥ Accessory(Optional)

Nil - None Bracket / None Gauge(Adapter Only)
B - Bracket
G - Gauge(Round type)

Symbol



Specification

Fluid	Compressed Air		
Max. supply pressure	30bar (3MPa)		
Max. operating pressure	20bar (2MPa)		
Ambient and Media temp.	-5~60°C (No freezing)		
Regulating range	1~17bar (0.1~1.7MPa)		
Gauge port	SAR200H	SAR300H	SAR400H
	1/8		1/4
Construction	Relief type		

Precautions

- Set the outlet pressure range for the regulator in a range that is 85% or less of the inlet pressure. If set above 85%, the inlet pressure will be easily effected by fluctuations in the flow rate and inlet pressure, and will become unstable.
- To set the pressure using the knob, turn the knob in the direction that increases pressure and lock the knob after the pressure is set. If this is done in the direction that decreases pressure, the pressure may drop from the original set pressure. Turning the knob clockwise increases the outlet pressure, and turning it counterclockwise reduces the pressure.
- Please contact SKP when a circuit requires the use of a regulator having relief sensitivity with high precision and setting accuracy.
- Residual pressure release (outlet pressure release) is not complete by releasing the inlet pressure. To release residual pressure, select a model with a back flow mechanism.

SAU

SAU
LARGE FLOW

SAU
HIGH PRESS.

SAW

SAWM
SAWD

SAF

SAF
LARGE FLOW

SAFM
SAFD

SAR

SAR
LARGE FLOW

SAR
T-HANDLE

SAR
HIGH PRESS.

SRP

SAL

SAL
LARGE FLOW

AUTO-DRAIN
KITS

SHVS

SPS100

ACCESSORY

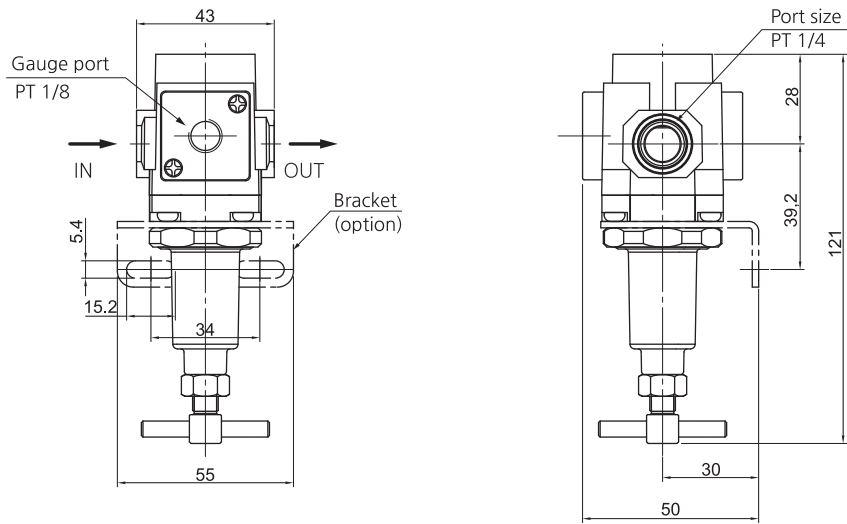
CAUTION

Series SAR200H~600H

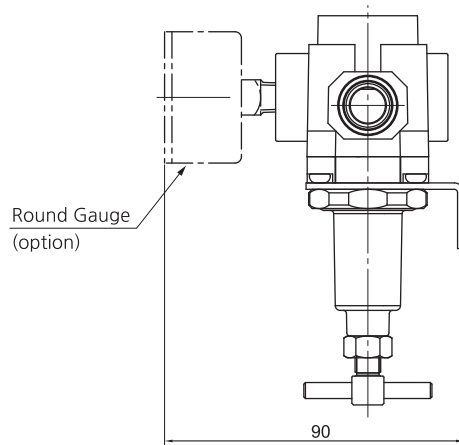
DIMENSIONS (mm)


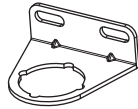
SAR 200H

- SAR200H-□02□□



- Dimensions of each model with an option attached



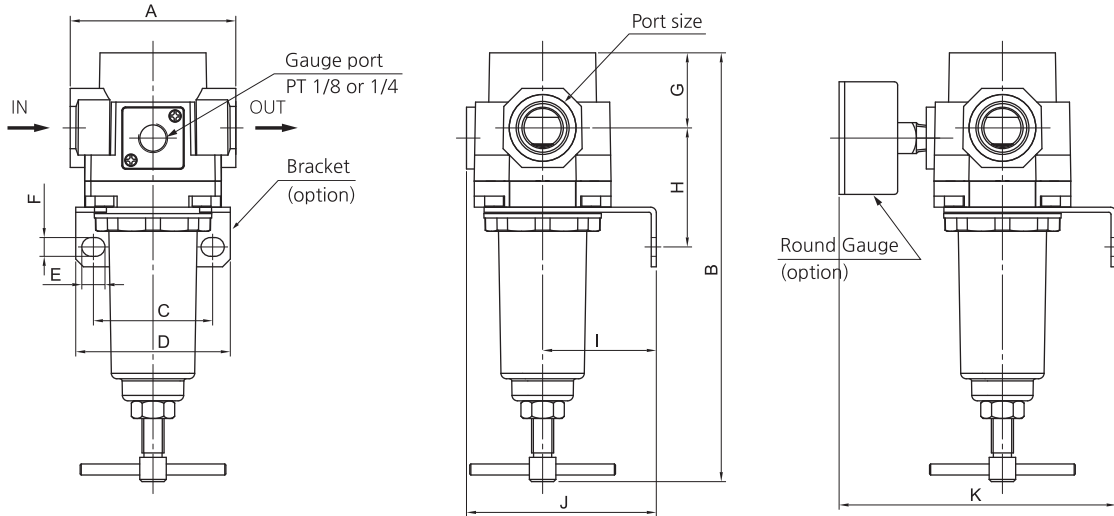
Option	G : Round type Gauge	B : Bracket
Model	 Gh40, R1/8	 B220



Air Regulator for High Pressure

DIMENSIONS (mm)

SAR 300H~400H

- SAR300H□-□03□□
- SAR400H□-□04(06)□□



Option	G : Round type Gauge	B : Bracket
Model	 SAR300H : Gh40, R1/8 SAR400H : Gh50, R1/4	 SAR300H : B320 SAR400H : B420

Model	Port size	A	B	C	D	E	F	G	H	I	J	K
SAR300H-03	3/8	57	164	40	53	8	6.5	28.4	45.7	41	72	107
SAR400H-04	1/2	75	188	54	70	10.5	8.5	34	54	50	86	127
SAR400H-06	3/4	75	190	54	70	10.5	8.5	34.5	55.5	50	86	127

SAU

SAU
LARGE FLOWSAU
HIGH PRESS.

SAW

SAWM
SAWD

SAF

SAF
LARGE FLOWSAFM
SAFD

SAR

SAR
LARGE FLOWSAR
T-HANDLESAR
HIGH PRESS.

SRP

SAL

SAL
LARGE FLOWAUTO-DRAIN
KITS

SHVS

SPS100

ACCESSORY

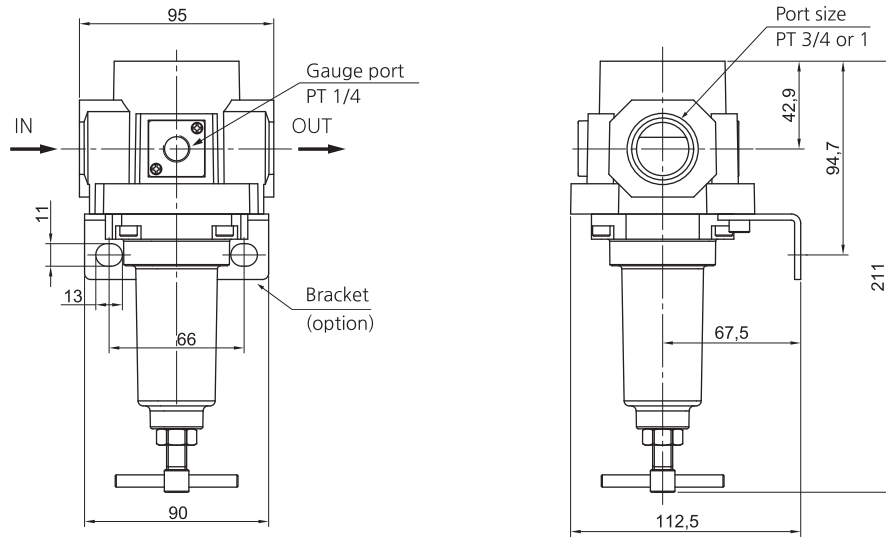
CAUTION

Series SAR200H~600H

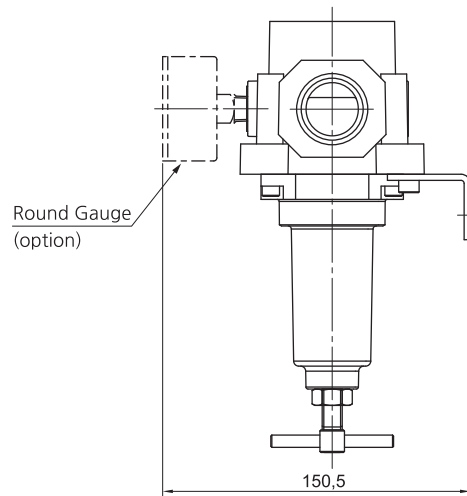
DIMENSIONS (mm)


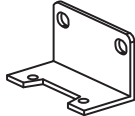
SAR 600H

- SAR600H□-□06□□
- SAR600H□-□10□□



- Dimensions of each model with an option attached



Option	G : Round type Gauge	B : Bracket
Model	 Gh50, R1/4	 B600