

# Air Regulator with T type Handle (SAR)

## SAR200T~600T Series

- With the backflow function, the SAR series incorporates a mechanism which exhausts the air pressure through the outlet side efficiently.



SAR300T

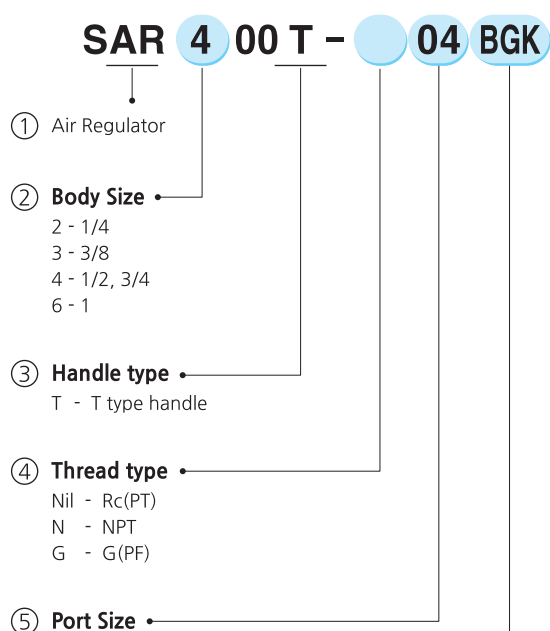


SAR400T



SAR600T

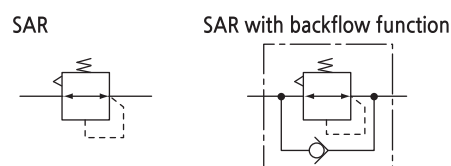
### How to order



Symbol	Size	Body size			
		2	3	4	6
02	1/4	●			
03	3/8		●		
04	1/2			●	
06	3/4			●	●
10	1				●

- ⑥ Accessory(Optional) •
- Nil - None Bracket / None Gauge  
B - Bracket  
G - Gauge
- |    |                      |
|----|----------------------|
| G  | Round type           |
| Gs | Square embedded type |
- K - With backflow function

### Symbol



### Specification

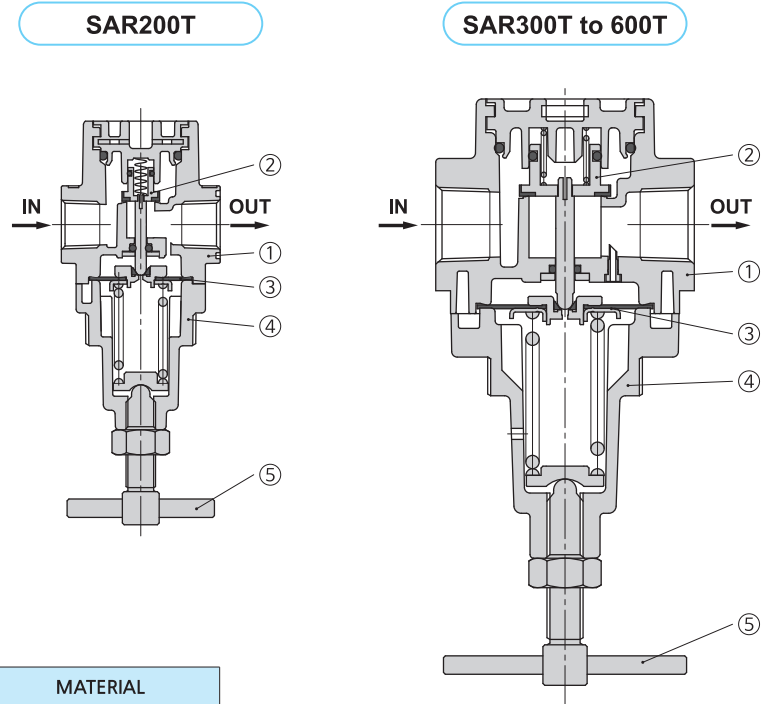
Fluid	Compressed Air			
Max. operating pressure	10bar (1.0MPa)			
Max. supply pressure	15bar (1.5MPa)			
Ambient and Media temp.	-5 ~ 60°C (No freezing)			
Regulating range	0.5~8.5bar (0.05~0.85MPa)			
Gauge port	SAR200T	SAR300T	SAR400T	SAR600T
		1/8		1/4
Construction	Relief type			

### Precautions

- ① Set the outlet pressure range for the regulator in a range that is 85% or less of the inlet pressure. If set above 85%, the inlet pressure will be easily effected by fluctuations in the flow rate and inlet pressure, and will become unstable.
- ② To set the pressure using the knob, turn the knob in the direction that increases pressure and lock the knob after the pressure is set. If this is done in the direction that decreases pressure, the pressure may drop from the original set pressure. Turning the knob clockwise increases the outlet pressure, and turning it counterclockwise reduces the pressure.
- ③ Please contact SKP when a circuit requires the use of a regulator having relief sensitivity with high precision and setting accuracy.
- ④ Residual pressure release (outlet pressure release) is not complete by releasing the inlet pressure. To release residual pressure, select a model with a back flow mechanism.

# Air Regulator with T-type Handle

## STRUCTURE / PARTS



### Component Parts

No.	PARTS	MATERIAL
①	Body	ALDC
②	Check valve Ass'y	Brass, NBR
③	Diaphragm Ass'y	NBR
④	Cover	ALDC
⑤	Handle	Steel

SAU

SAU  
LARGE FLOW

SAU  
HIGH PRESS.

SAW

SAWM  
SAWD

SAF

SAF  
LARGE FLOW

SAFM  
SAFD

SAR

SAR  
LARGE FLOW

SAR  
T-HANDLE

SAR  
HIGH PRESS.

SRP

SAL

SAL  
LARGE FLOW

AUTO-DRAIN  
KITS

SHVS

SPS100

ACCESSORY

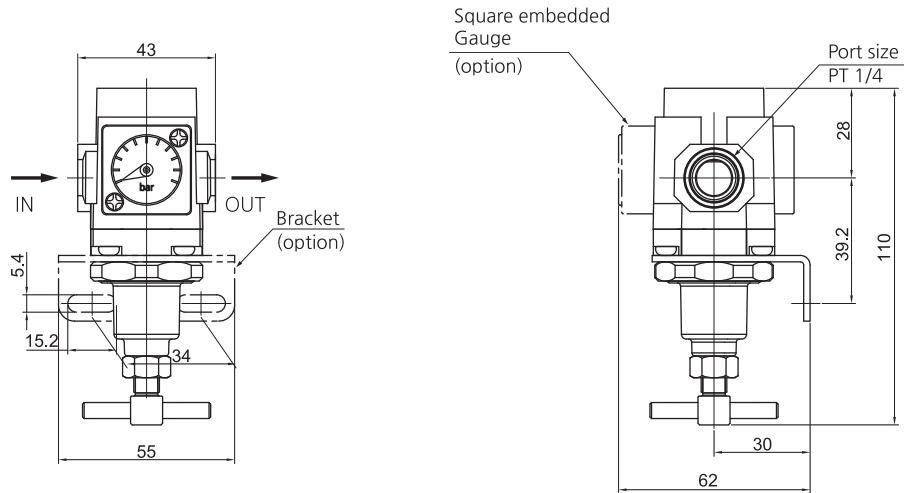
CAUTION

# Series SAR100T~600T

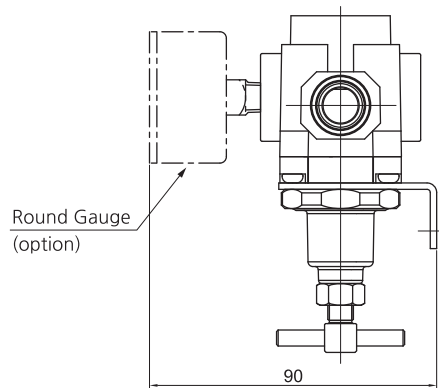
## DIMENSIONS (mm)



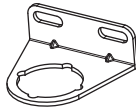
### SAR 200T

- SAR200T-□02□□



- Dimensions of each model with an option attached



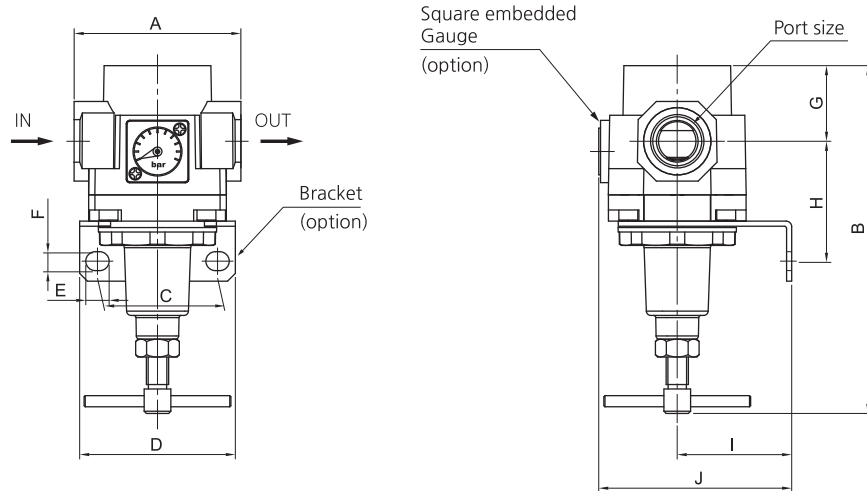
Option	Gs : Square embedded Gauge	G : Round type Gauge	B : Bracket
Model	 Gs28	 G40, R1/8	 B220

# Air Regulator with T-type Handle

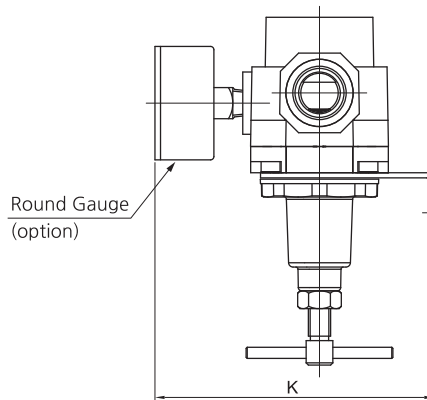
## DIMENSIONS (mm)




### SAR 300T~400T

- SAR300T-□03□□
- SAR400T-□04(06)□□



- Dimensions of each model with an option attached



Option	G : Square embedded type Gauge	G : Round type Gauge	B : Bracket
Model	 Gs28	 SAR300 : G40, R1/8 SAR400 : G50, R1/4	 SAR300 : B320 SAR400 : B420

Model	Port size	A	B	C	D	E	F	G	H	I	J	K
SAR300T-03	3/8	57	150	40	53	8	6.5	28.4	45.7	41	72	107
SAR400T-04	1/2	75	158	54	70	10.5	8.5	34	54	50	87	127
SAR400T-06	3/4	75	160	54	70	10.5	8.5	34.5	55.5	50	87	127

SAU

SAU  
LARGE FLOWSAU  
HIGH PRESS.

SAW

SAWM  
SAWD

SAF

SAF  
LARGE FLOWSAFM  
SAFD

SAR

SAR  
LARGE FLOWSAR  
T-HANDLESAR  
HIGH PRESS.

SRP

SAL

SAL  
LARGE FLOWAUTO-DRAIN  
KITS

SHVS

SPS100

ACCESSORY

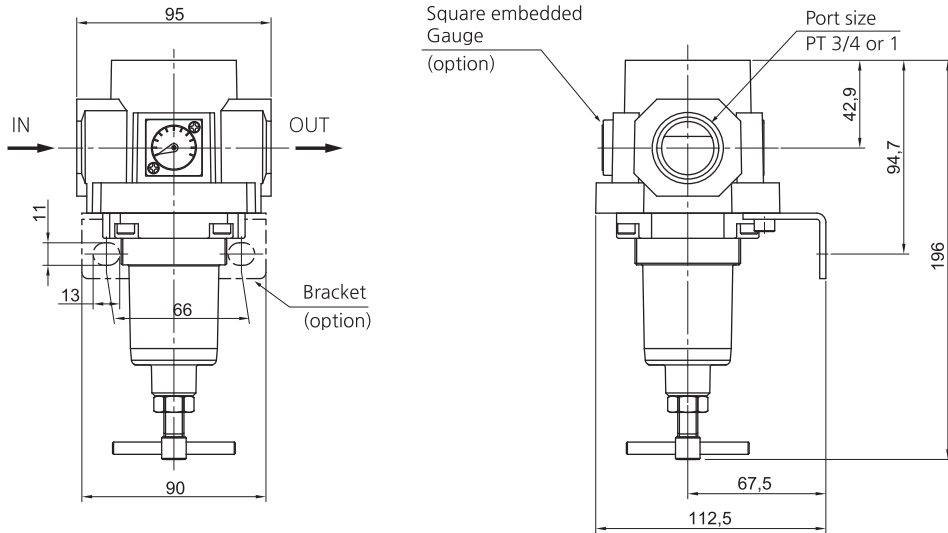
CAUTION

# Series SAR100T~600T

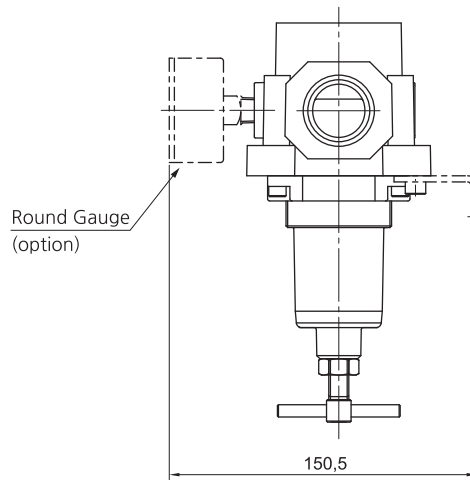
## DIMENSIONS (mm)



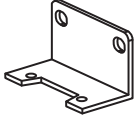
### SAR 600T

- SAR600T-□06□□
- SAR600T-□10□□



- Dimensions of each model with an option attached



Option	G : Square embedded type Gauge	G : Round type Gauge	B : Bracket
Model	 Gs28	 G50, R1/4	 B600