

Large Flow Air Unit (SAU)

SAU800~900 / SAU820~920 Series



SAU800



SAU820

How to order

SAU 8 00 - 14 DG - MeP

- Air Unit**
- Body Size**
8 - 1 1/2
9 - 2
- Composition**
00 - Filter(SAF)
Regulator(SAR)
Lubricator(SAL)
20 - Filter(SAF)
Regulator(SAR)
- Thread type**
무기호 - Rc(PT)
N - NPT
G - G(PF)
- Port Size**

Symbol	Size	Body size	
		8	9
12	1 1/4	●	
14	1 1/2	●	
20	2		●
- Accessory(Optional)**
Nil - None Gauge / Manual Drain
D - Auto Drain

Symbol	Drain connector
D	One-touch fitting(Φ6mm)
Dn	Nipple(PT 1/8)

G - Gauge
- Bowl**
Nil - PC Bowl
MeP - Metal bowl with pipe type sight glass

Specification

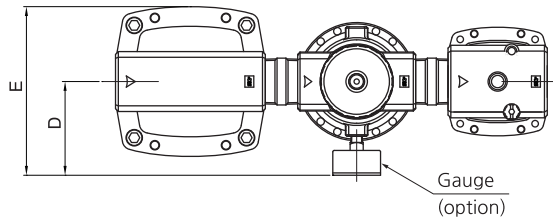
Fluid	Compressed Air
Max. operating pressure	10bar (1.0MPa)
Max. supply pressure	15bar (1.5MPa)
Ambient and Media temp.	-5 ~ 60°C (No freezing)
Regulating range(SAR)	0.5~8.5bar (0.05~0.85MPa)
Filtration(SAF)	5μm (option: 40)
Recommended oil(SAL)	Turbin oil (ISO VG32)
Construction(SAR)	Internal pilot relieving style (Pilot air is always bleeding.)
압력계 접속구경(SAR)	1/4

Precautions

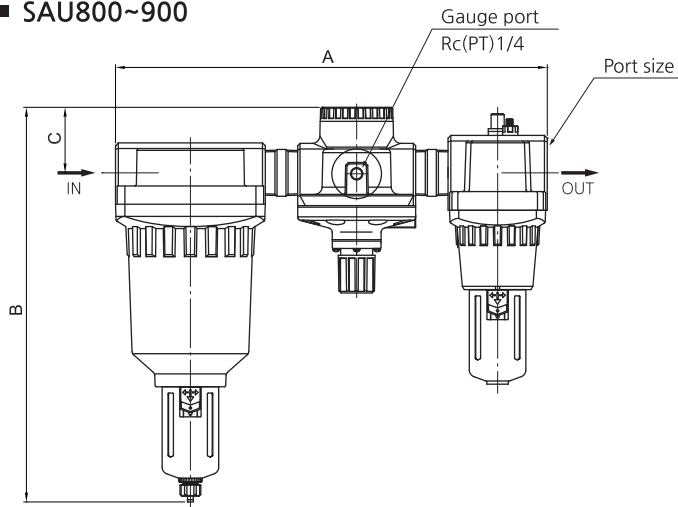
- Do not use Poly-carbonate bowls in an environment where they are exposed to or come in contact with organic solvents, chemicals, cutting oil, synthetic oil, alkali, and thread lock solutions.
- Components with a bowl must be installed vertically with the bowl downward so that faulty drain discharge and dripping can be verified.
- Set the outlet pressure range for the regulator in a range that is 85% or less of the inlet pressure. If set above 85%, the inlet pressure will be easily effected by fluctuations in the flow rate and inlet pressure, and will become unstable.
- To set the pressure using the knob, turn the knob in the direction that increases pressure and lock the knob after the pressure is set. If this is done in the direction that decreases pressure, the pressure may drop from the original set pressure. Turning the knob clockwise increases the outlet pressure, and turning it counterclockwise reduces the pressure.
- When auto drain is used, drain piping should be both 4mm or greater in diameter and less than 1m in length. Avoid installing drain piping upwards.
- When auto drain is inoperable, drain manually by pushing the one-touch fitting upward.

DIMENSIONS (mm)

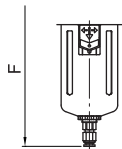
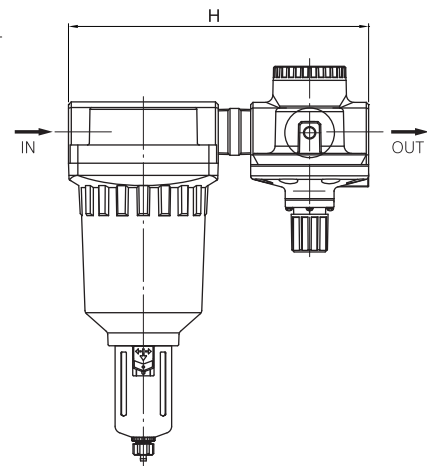
SAU 800~920



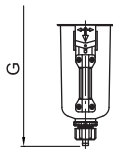
SAU800~900



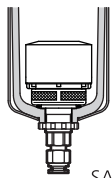

SAU820~920



with Auto drain



Metal bowl type

Option	D : Auto Drain	G : Gauge
Model	 SAD400	 G50, R1/4

Model	Port size	A	B	C	D	E	F	G	H
SAU800 / SAU820	1 1/4, 1 1/2	462	422	70	100	180	429	427	321
SAU900 / SAU920	2	515	465	80.5	118	208	472	470	375

SAU

SAU
LARGE FLOW

SAU
HIGH PRESS.

SAW

SAWM
SAWD

SAF

SAF
LARGE FLOW

SAFM
SAFD

SAR

SAR
LARGE FLOW

SAR
T-HANDLE

SAR
HIGH PRESS.

SRP

SAL

SAL
LARGE FLOW

AUTO-DRAIN
KITS

SHVS

SPS100

ACCESSORY

CAUTION