

# Air Unit (SAU110~610 Series)

## Filter Regulator + Lubricator



SAU 110



SAU 210



SAU 310

### How to order

SAU 6 10 - 10 DG - MeP

- ① Air Unit
- ② Body Size
  - 1 - 1/8
  - 2 - 1/4
  - 3 - 3/8
  - 4 - 1/2
  - 6 - 1
- ③ Composition
  - 10 Filter Regulator(SAW)
  - Lubricator(SAL)
- ④ Thread type
  - Nil - Rc(PT)
  - N - NPT
  - G - G(PF)
- ⑤ Port Size

Symbol	Size	Body size				
		1	2	3	4	6
M5	M5	●				
01	1/8	●				
02	1/4		●			
03	3/8			●		
04	1/2				●	
06	3/4					●
10	1					●

- ⑥ Accessory(Optional)
  - Nil - None gauge / Manual Drain
  - D - Auto Drain

Symbol	Description	Body				
		1	2	3	4	6
D	One-touch fitting type	●	●	●	●	●
Dn	Nipple type	-	-	●	●	●
Df	SAW200 Float type	-	●	-	-	-

Note) 1. SAW100 and SAW200 are differential pressure type.  
2. SAW300~600 are float type.

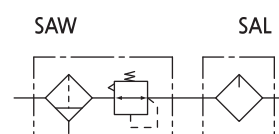
G - Gauge

G	Round type gauge
Gs	Square embedded type

Note) SAU110 is available only round type gauge.

- ⑦ Bowl
  - Nil - PC bowl
  - MeP - Metal bowl with pipe type sight glass

### Symbol



### Specification

Composition	Filter Regulator + Lubricator
Fluid	Compressed Air
Max. operating pressure	10bar (1.0MPa)
Max. supply pressure	15bar (1.5MPa)
Ambient and Media temp.	-5~60°C (No freezing)
Regulating range(SAR)	0.5~8.5bar (0.05~0.85MPa)
Filtration(SAF)	10µm (option: 2, 5, 20, 40)
Recommended oil(SAL)	Turbin oil (ISO VG32)
Bowl material(SAF, SAL)	Poly-carbonate (option: ALDC)
Construction(SAR)	Relief type

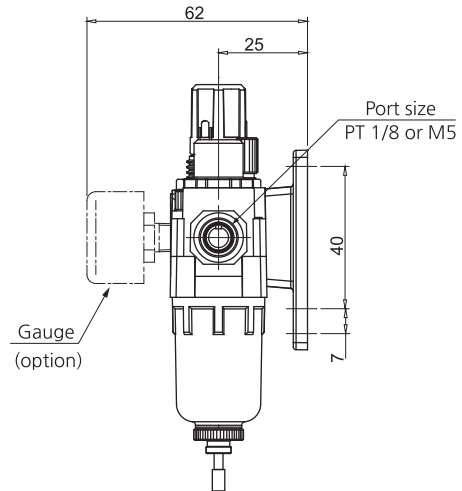
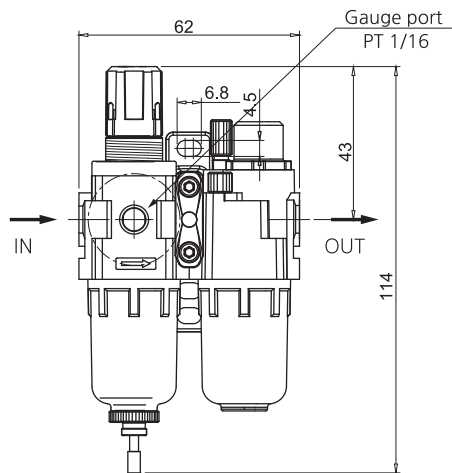
### Precautions

- ① Do not use Poly-carbonate bowls in an environment where they are exposed to or come in contact with organic solvents, chemicals, cutting oil, synthetic oil, alkali, and thread lock solutions.
- ② Components with a bowl must be installed vertically with the bowl downward so that faulty drain discharge and dripping can be verified.
- ③ Set the outlet pressure range for the regulator in a range that is 85% or less of the inlet pressure. If set above 85%, the inlet pressure will be easily effected by fluctuations in the flow rate and inlet pressure, and will become unstable.
- ④ To set the pressure using the knob, turn the knob in the direction that increases pressure and lock the knob after the pressure is set. If this is done in the direction that decreases pressure, the pressure may drop from the original set pressure. Turning the knob clockwise increases the outlet pressure, and turning it counterclockwise reduces the pressure.
- ⑤ When auto drain is used, drain piping should be both 4mm or greater in diameter and less than 1m in length. Avoid installing drain piping upwards.
- ⑥ When auto drain is inoperable, drain manually by pushing the one-touch fitting upward.

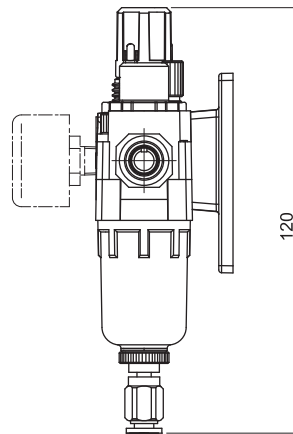
DIMENSIONS (mm)

SAU 110

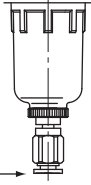
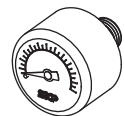
SAU110-□□□



Dimensions of each model with an option attached



with Auto Drain (Differential pressure type)

Option	D : Auto Drain (Differential pressure type)	G : Gauge
Model	 <p>φ4mm One-touch fitting</p>	 <p>G25, R1/16</p>

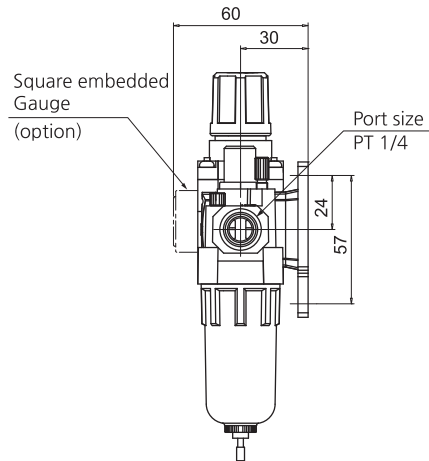
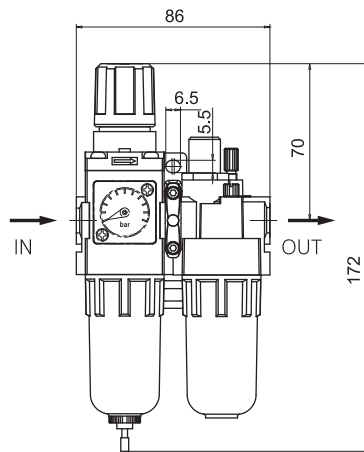
- SAU
- SAU LARGE FLOW
- SAU HIGH PRESS.
- SAW
- SAWM SAWD
- SAF
- SAF LARGE FLOW
- SAFM SAFD
- SAR
- SAR LARGE FLOW
- SAR T-HANDLE
- SAR HIGH PRESS.
- SRP
- SAL
- SAL LARGE FLOW
- AUTO-DRAIN KITS
- SHVS
- SPS100
- ACCESSORY
- CAUTION

# Series SAU110~610

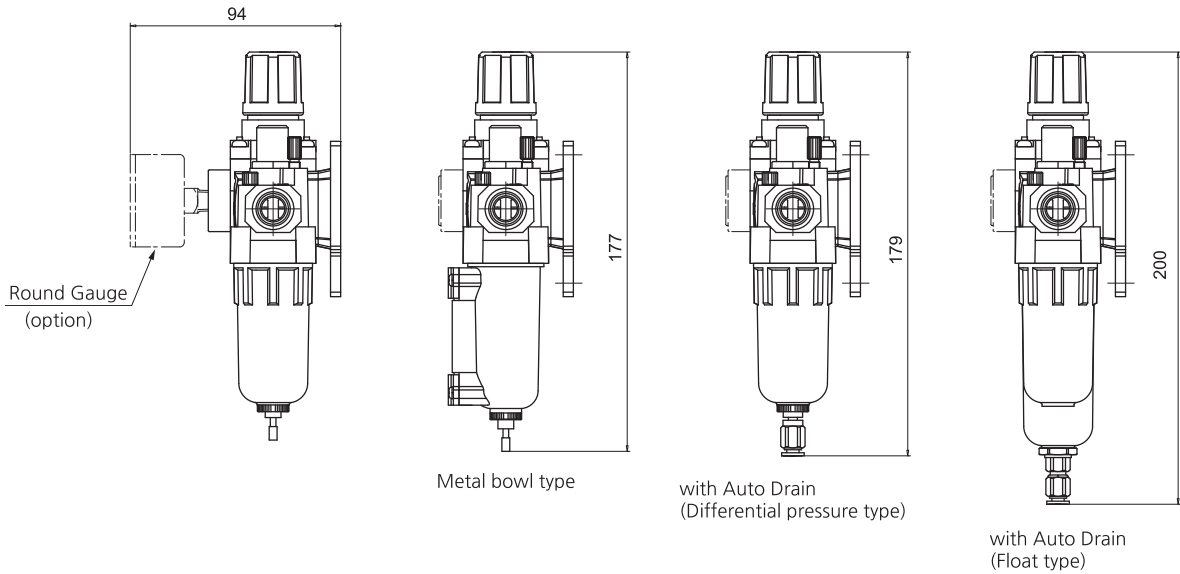
## DIMENSIONS (mm)

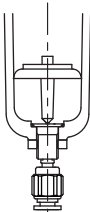
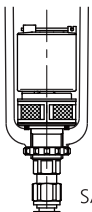


### SAU 210

- SAU210-□02□□-□



- Dimensions of each model with an option attached

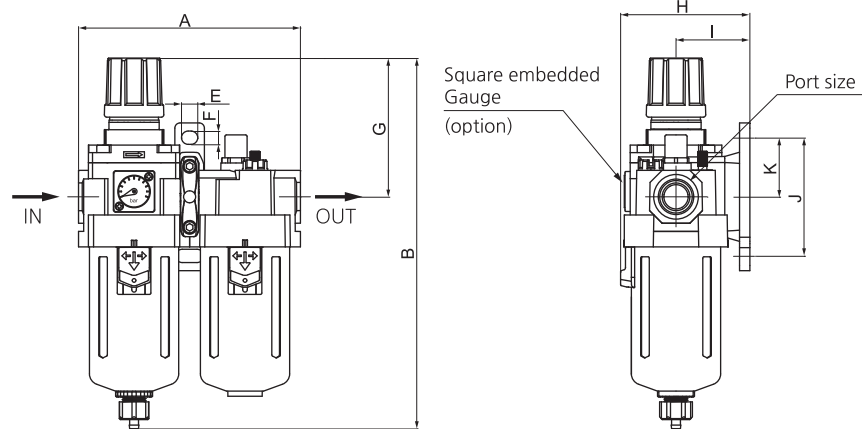


Option	Auto Drain		Gauge	
	D : Differential pressure type	Df : Float type	G : Round type	Gs : Square embedded type
Model		 SAD200	 G40, R1/8	 Gs28

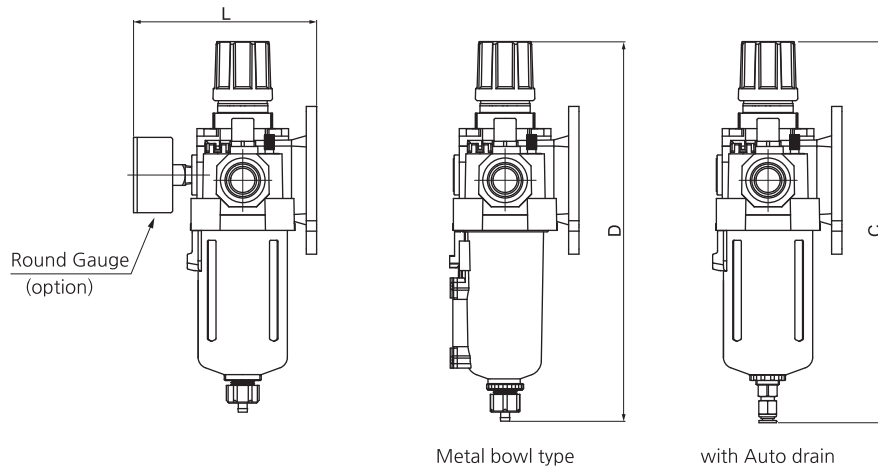
DIMENSIONS (mm)

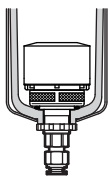


SAU 310~410

- SAU310-□03□□-□
- SAU410-□04□□-□



- Dimensions of each model with an option attached



Option	D : Auto Drain	Gauge	
		G : Round type	Gs : Square embedded type
Model	 SAU310 : SAD300 SAU410 : SAD400	 SAU310 : G40, R1/8 SAU410 : G50, R1/4	 Gs28

Model	Port size	A	B	C	D	E	F	G	H	I	J	K	L
SAU310-03	3/8	114	220	226	228	9	7	89	71.5	41	70	35	107
SAU410-04	1/2	150	251	258	256	11	9	94	87.5	50	80	40	127

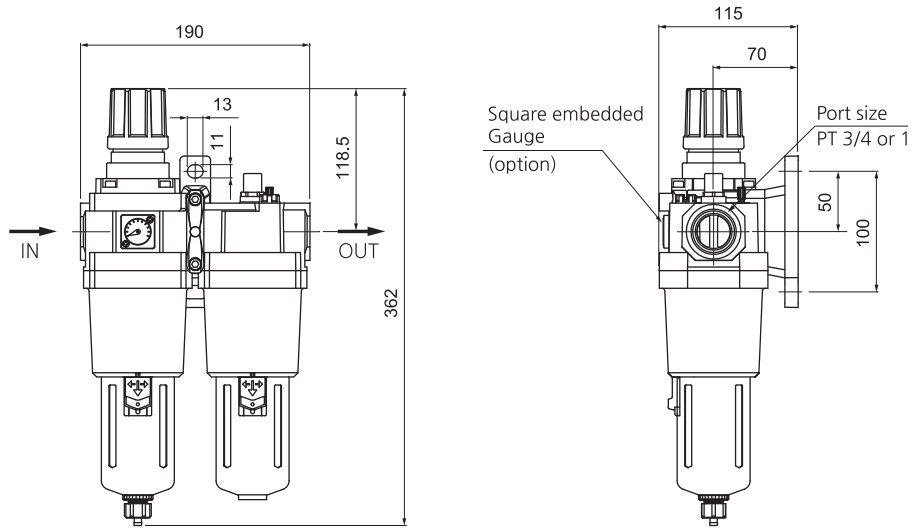
- SAU
- SAU LARGE FLOW
- SAU HIGH PRESS.
- SAW
- SAWM SAWD
- SAF
- SAF LARGE FLOW
- SAFM SAFD
- SAR
- SAR LARGE FLOW
- SAR T-HANDLE
- SAR HIGH PRESS.
- SRP
- SAL
- SAL LARGE FLOW
- AUTO-DRAIN KITS
- SHVS
- SPS100
- ACCESSORY
- CAUTION

# Series SAU110~610

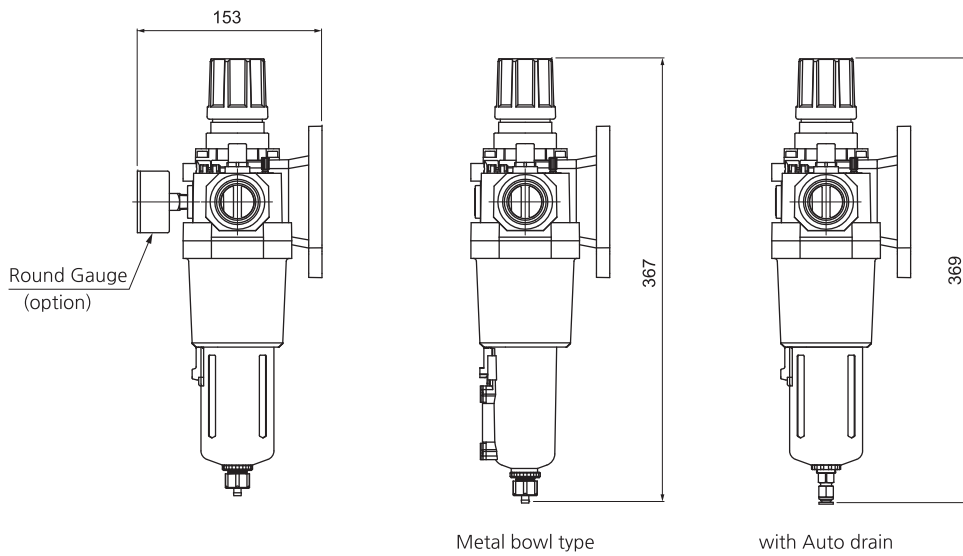
## DIMENSIONS (mm)

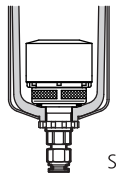


### SAU 610

- SAU610-□06(10)□□-□



- Dimensions of each model with an option attached



Option	D : Auto Drain	Gauge	
		G : Round type	Gs : Square embedded type
Model	 SAD400	 G50, R1/4	 Gs28