

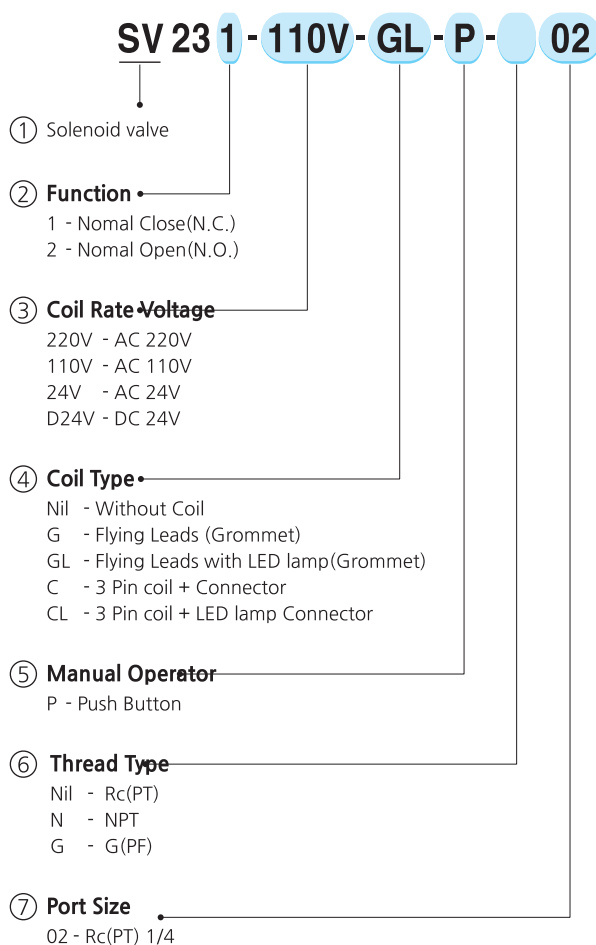
3port Pilot Operated Solenoid Valve (SV)

SV231~232 Series (Rc(PT) 1/4)

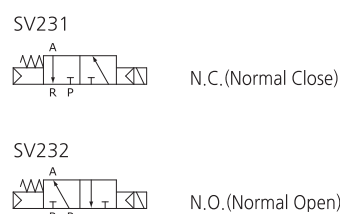
- 26.5mm Body width
- Transition Flow 1000 l/min (5bar)



How to order



Symbol

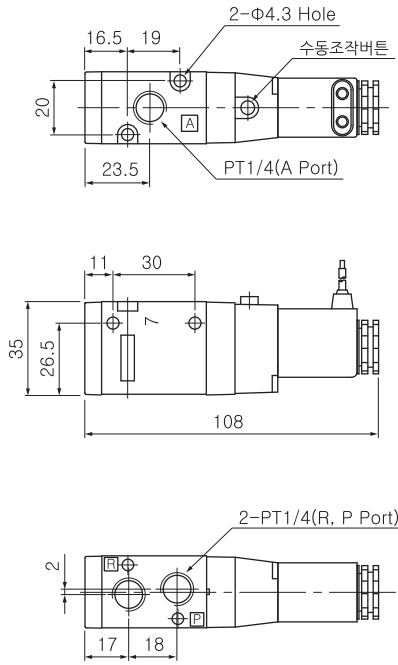


Specification

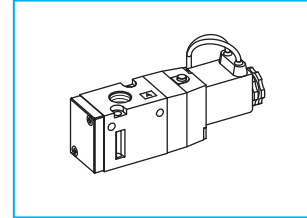
Fluid	Compressed air
Ambient and Media temp.	5~60℃
Max. operating pressure	1.5~10bar
Eff. Sectional Area(5bar)	19mm ²
Response time(5bar)	25ms or less
Max. operating frequency	5c/sec
Lubrication	Not required
Manual override	Push button
Coil insulation	F-Class or Equivalent
Allowable voltage	±10% rated voltage
Power consumption	AC:4.9VA(60Hz) / DC:2.5W

DIMENSIONS (mm)

2position / 3port (Grommet type)



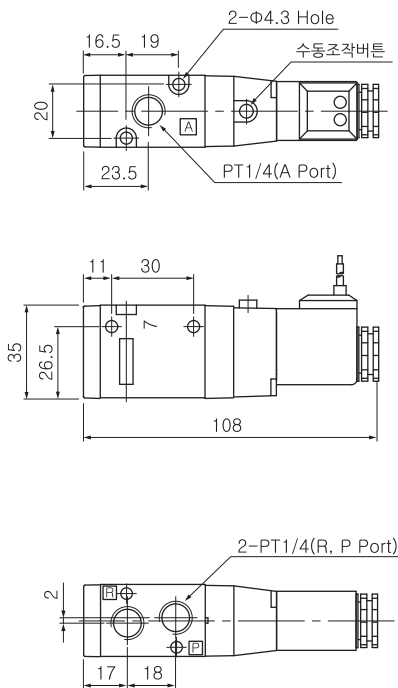
SV23□-□□□V-G...



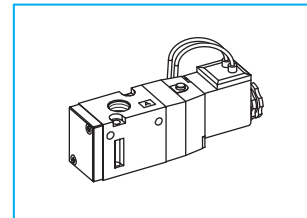
- SV1000
- SV3000
- SV5000
- SV6000
- SV231
~232

- COIL CONNECTOR
- SMV100
- SMV200
- SMVS200
- SMVF231
~232
- SMVF250
- SMVF350

2position / 3port (Lamp type)



SV23□-□□□V-GL...



- SMVF250
- SMVF350
- SFVM
- SHV
- CAUTION

Series SV231~232

DIMENSIONS (mm)

2position / 3port (Connector type)

SV23□-□□□V-C□-...

