

Mechanical Valve (SMV)

SMV100 Series (Rc(PT) 1/8)



SV1000

SV3000

SV5000

SV6000

SV231
~232

COIL
CONNECTOR

SMV100

SMV200

SMVS200

SMVF231
~232

SMVF250

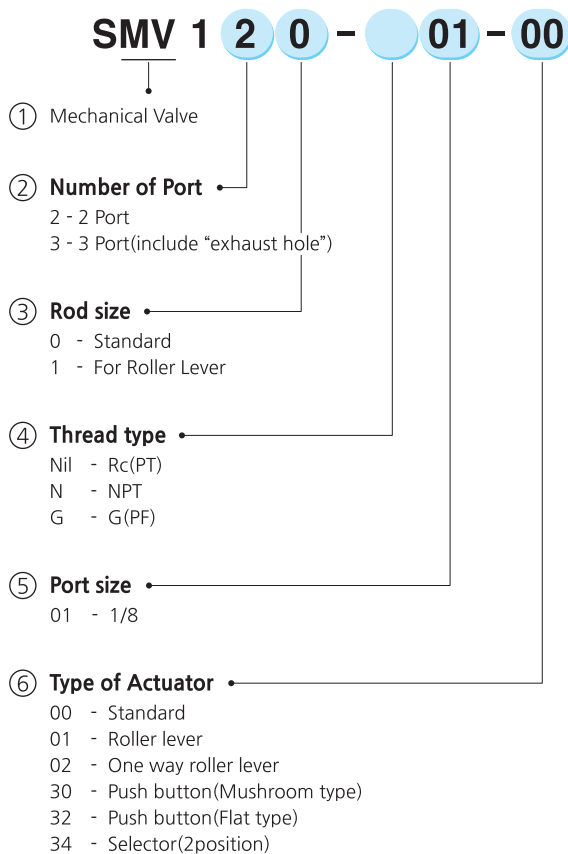
SMVF350

SFVM

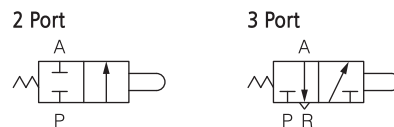
SHV

CAUTION

How to order



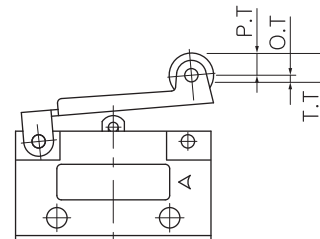
Symbol



Specification

Fluid	Compressed Air
Max. operating pressure	0~10bar (0~1MPa)
Ambient and Media temp.	-5~60°C (No freezing)
Effective orifice(Cv)	2.5mm ² (0.14)
Lubrication	Not required
Port size	1/8

Operating point of Mechanical valve

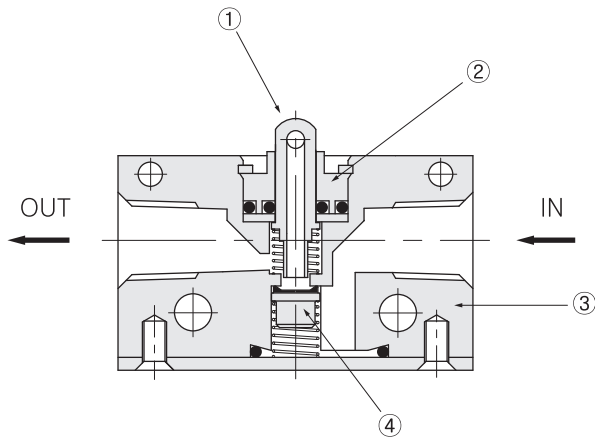


P.T.	From the free position to the operating position of actuator
O.T.	From the operating position to the operating limit of actuator
T.T.	From the free position to the operating limit of actuator

Series SMV100

STRUCTURE / PARTS

SMV 100



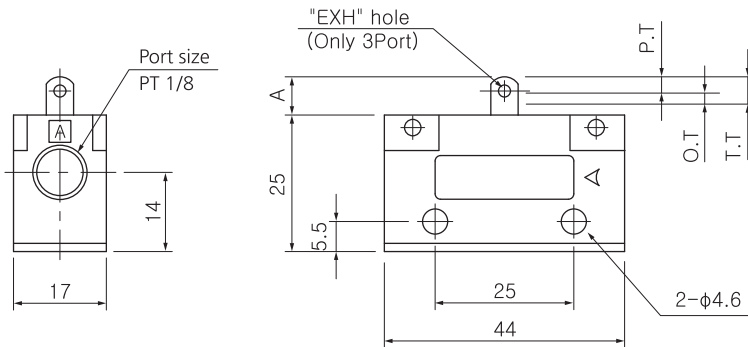
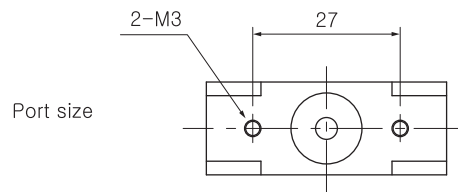
No.	PARTS	MATERIAL
①	Rod	A2011
②	Rod guide	Brass
③	Body	ALDC
④	Check valve	NBR

DIMENSIONS (mm)

SMV 120-01-00

- 121-01-00
- 130-01-00
- 131-01-00

Model	A
SMV120	7.5
SMV130	
SMV121	5.0
SMV131	
P.T.	1
O.T.	2
T.T.	3

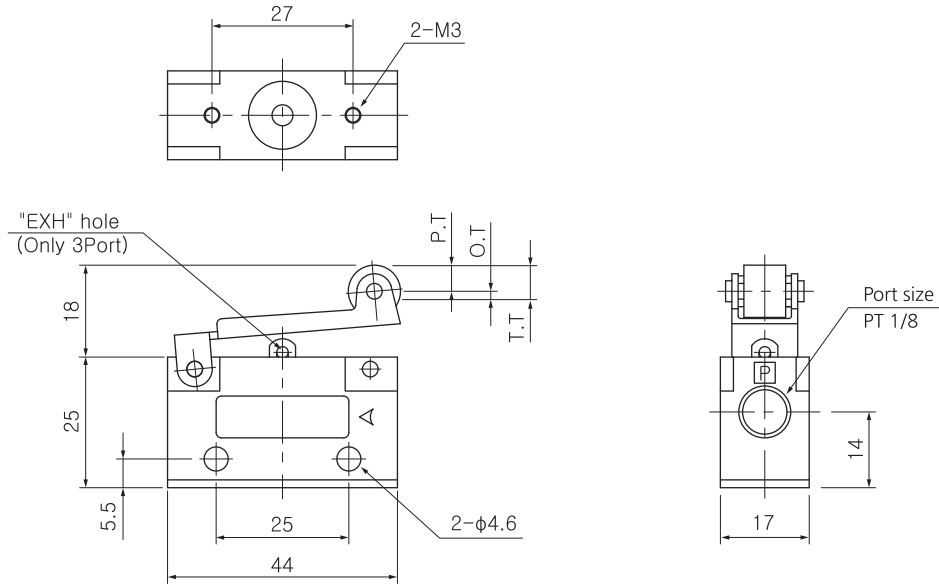


DIMENSIONS (mm)

SMV 121-01-01

131-01-01

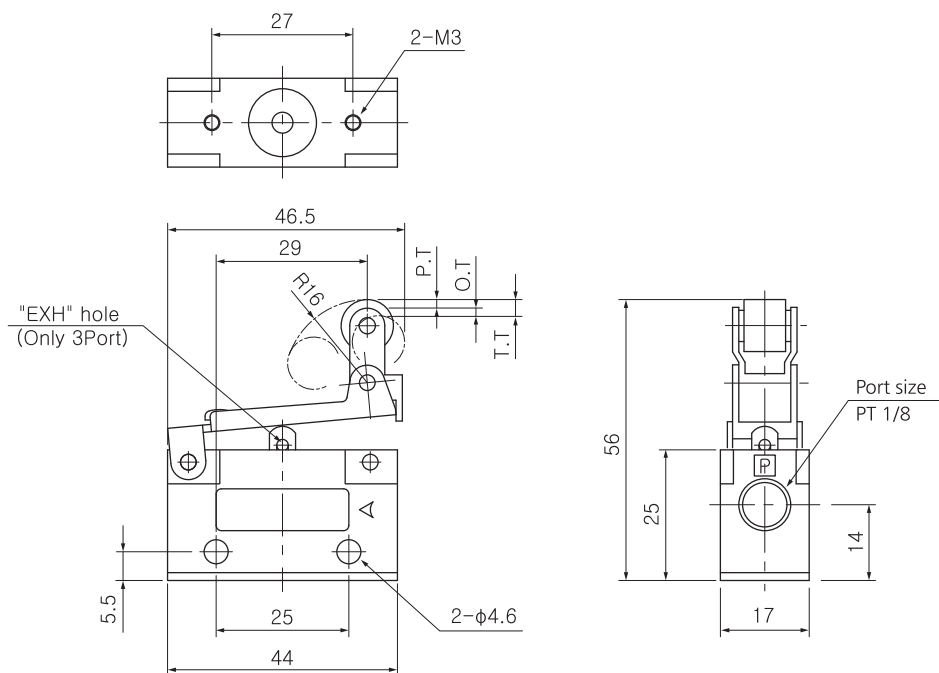
P.T.	1.5
O.T.	4.0
T.T.	5.5



SMV 121-01-02

131-01-02

P.T.	1.5
O.T.	4.0
T.T.	5.5



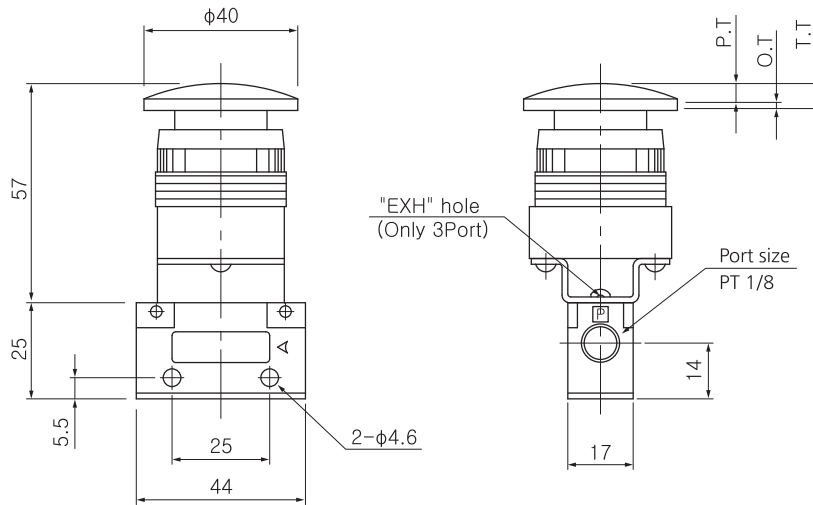
- SV1000
- SV3000
- SV5000
- SV6000
- SV231 ~232
- COIL CONNECTOR
- SMV100**
- SMV200
- SMVS200
- SMVF231 ~232
- SMVF250
- SMVF350
- SFVM
- SHV
- CAUTION

Series SMV100

DIMENSIONS (mm)

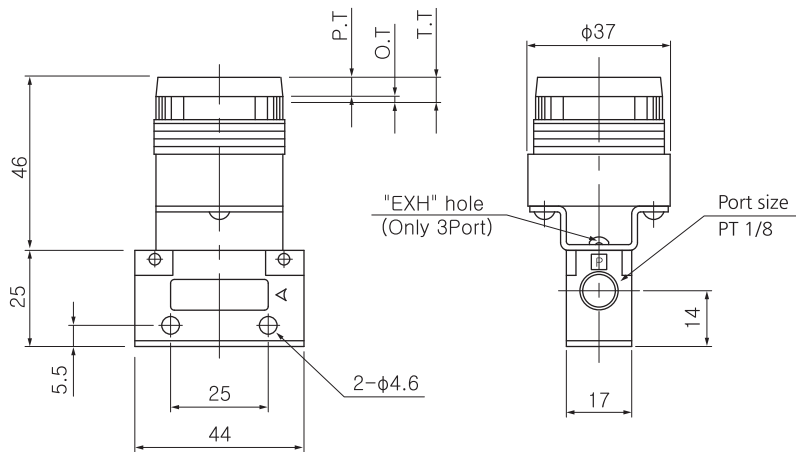
SMV 120-01-30
130-01-30

P.T.	5.4
O.T.	1.6
T.T.	7.0



SMV 120-01-32
130-01-32

P.T.	5.4
O.T.	1.6
T.T.	7.0

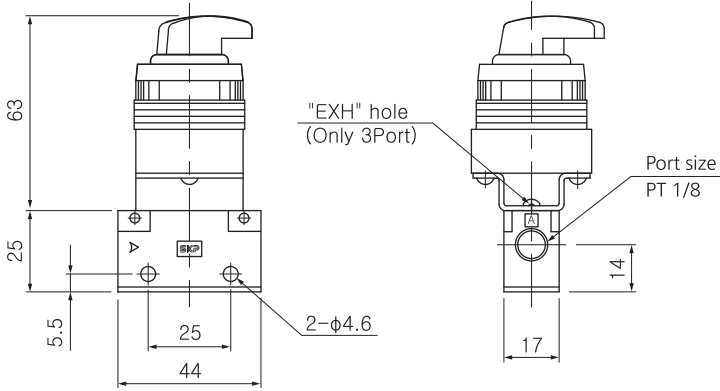
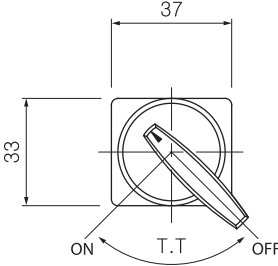


DIMENSIONS (mm)

SMV 120-01-34

130-01-34

T.T.	90°
------	-----



SV1000

SV3000

SV5000

SV6000

SV231
~232

COIL
CONNECTOR

SMV100

SMV200

SMVS200

SMVF231
~232

SMVF250

SMVF350

SFVM

SHV

CAUTION