

# Spool type Mechanical Valve (SMVS)

SMVS230 Series (Rc(PT) 1/4)

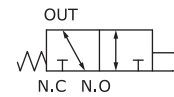


## How to order

SMVS 2 3 0 - 02 - 00

- ① Spool type Mechanical Valve
- ② Number of Port  
3 - 3 Port
- ③ Thread type  
Nil - Rc(PT)  
N - NPT  
G - G(PF)
- ④ Port size  
01 - 1/4
- ⑤ Type of Actuator  
00 - Standard  
01S - Roller lever(Bearing type)  
02S - One way roller lever(Bearing type)  
30 - Push button(Mushroom type)  
31 - Push button(ENG type)  
32 - Push button(Flat type)  
34 - Selector(2position)

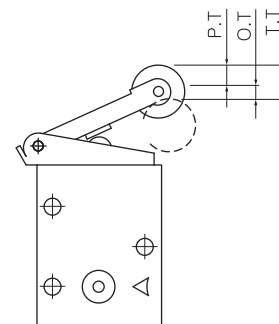
## Symbol



## Specification

Fluid	Compressed Air
Max. operating pressure	0~10bar (0~1MPa)
Ambient and Media temp.	-5~60°C (No freezing)
Lubrication	Not required
Port size	1/4

## Operating point of Mechanical valve



P.T.	From the free position to the operating position of actuator
O.T.	From the operating position to the operating limit of actuator
T.T.	From the free position to the operating limit of actuator

SV1000

SV3000

SV5000

SV6000

SV231  
~232

COIL  
CONNECTOR

SMV100

SMV200

SMVS200

SMVF231  
~232

SMVF250

SMVF350

SFVM

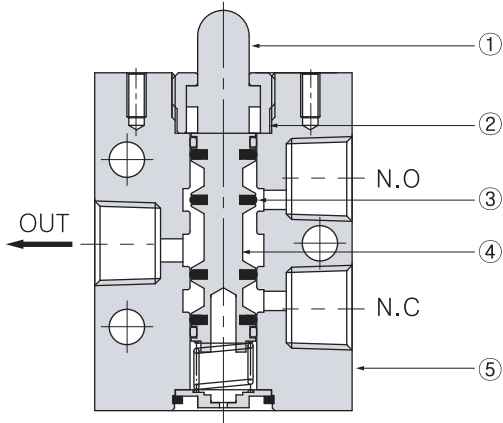
SHV

CAUTION

# Series SMVS200

## STRUCTURE / PARTS

### SMVS 230

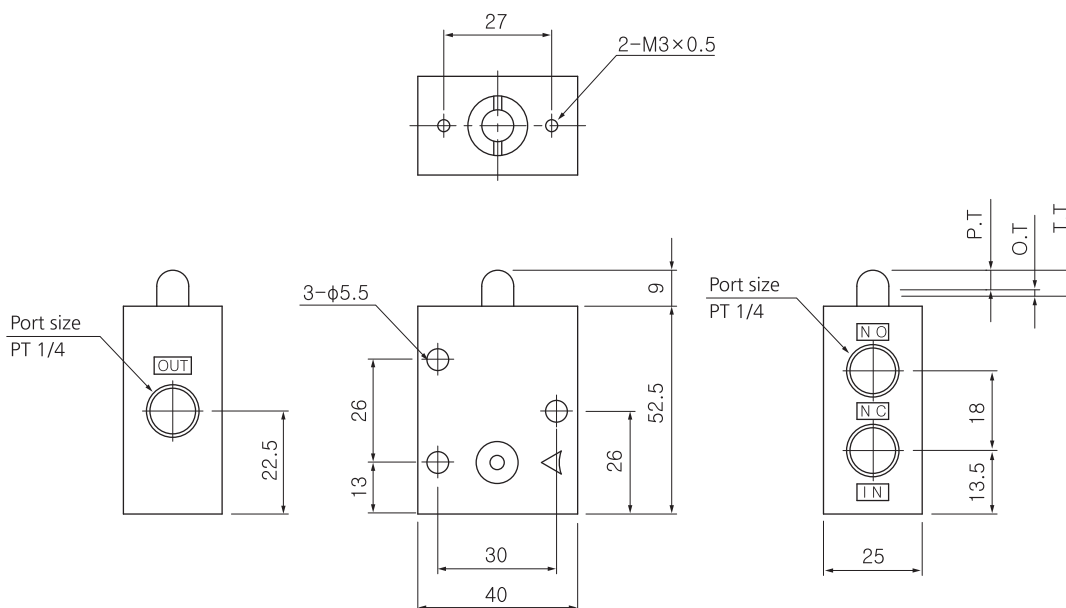


No.	PARTS	MATERIAL
①	Rod	SUS
②	Rod guide	Brass
③	I-ring	NBR
④	Spool	Al
⑤	Body	ALDC

## DIMENSIONS (mm)

### SMVS 230-02-00

P.T.	3
O.T.	2
T.T.	5

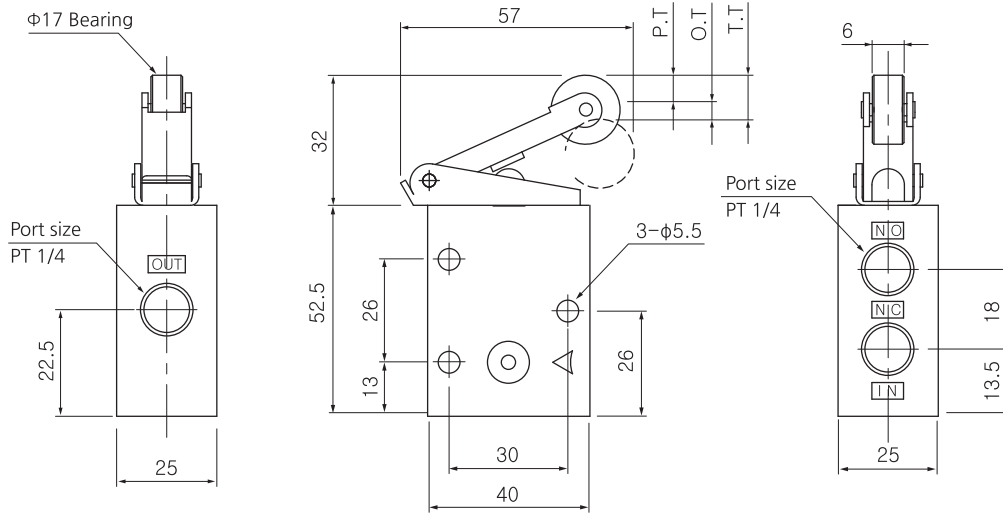


# Spool type Mechanical Valve

## DIMENSIONS (mm)

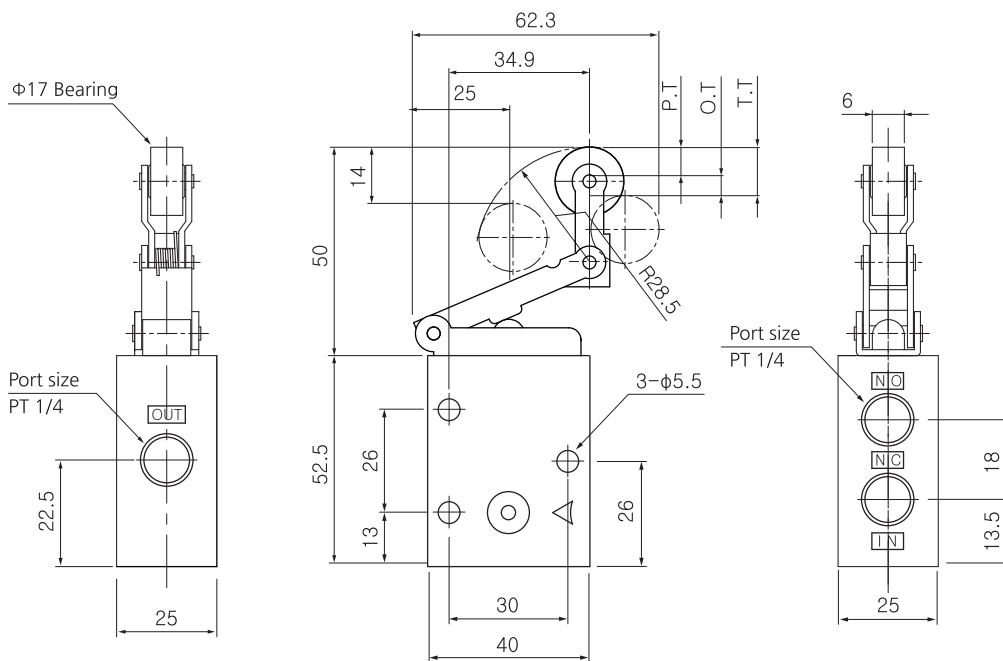
### SMVS 230-02-01S

P.T.	1.5
O.T.	4.0
T.T.	5.5



### SMVS 230-02-02S

P.T.	1.5
O.T.	4.0
T.T.	5.5



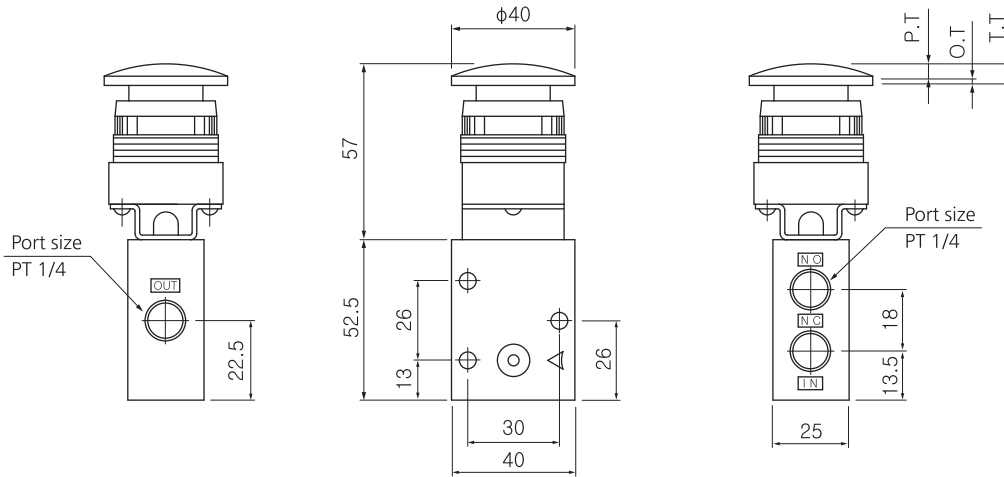
- SV1000
- SV3000
- SV5000
- SV6000
- SV231 ~232
- COIL CONNECTOR
- SMV100
- SMV200
- SMVS200
- SMVF231 ~232
- SMVF250
- SMVF350
- SFVM
- SHV
- CAUTION

# Series SMVS200

## DIMENSIONS (mm)

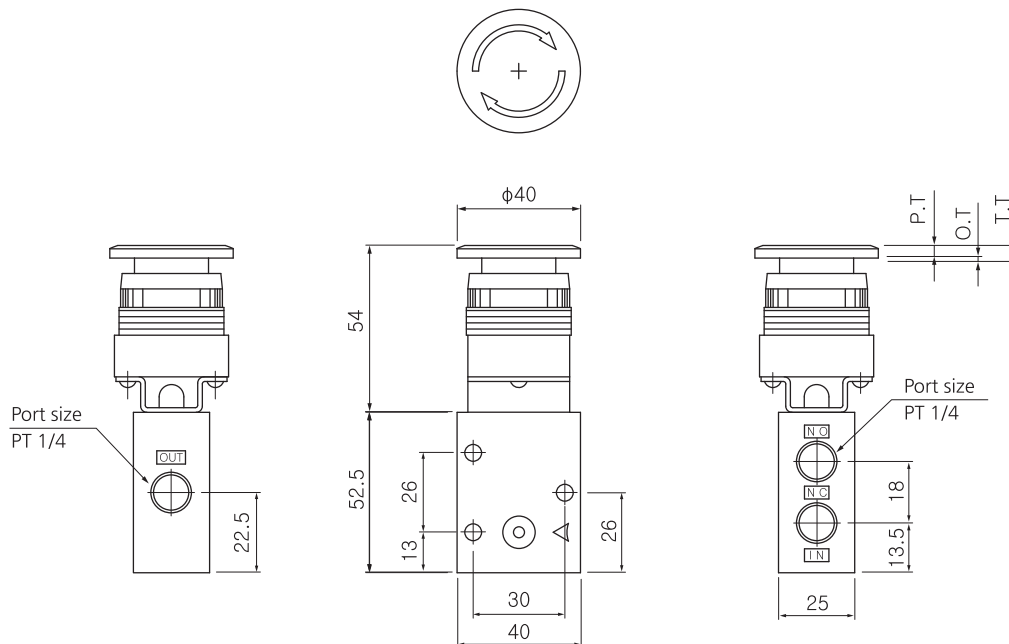
**SMVS 230-02-30**

P.T.	4.9
O.T.	1.6
T.T.	6.5



**SMVS 230-02-31**

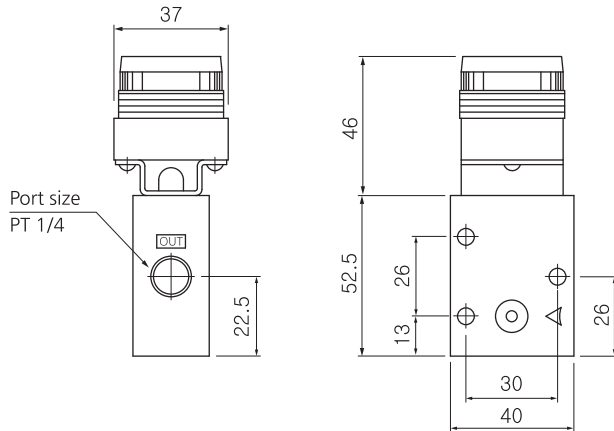
T.T.	4.3
------	-----



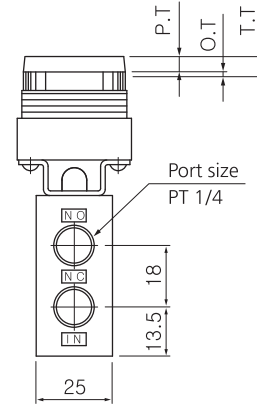
# Spool type Mechanical Valve

## DIMENSIONS (mm)

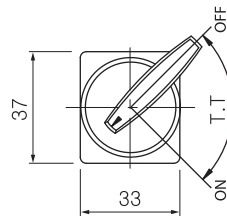
### SMVS 230-02-32



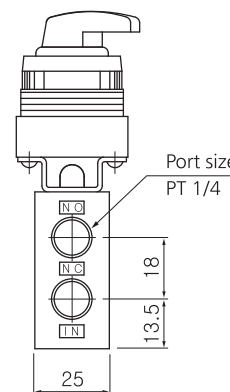
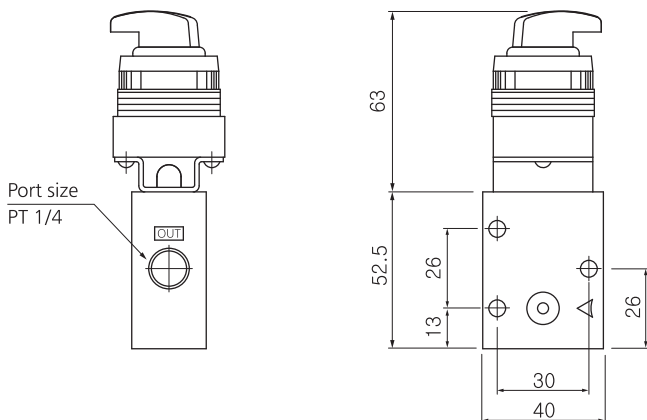
P.T.	4.9
O.T.	1.6
T.T.	6.5



### SMVS 230-02-34



T.T.	90°
------	-----



- SV1000
- SV3000
- SV5000
- SV6000
- SV231 ~232
- COIL CONNECTOR
- SMV100
- SMV200
- SMVS200
- SMVF231 ~232
- SMVF250
- SMVF350
- SFVM
- SHV
- CAUTION