

# 5port Pilot Operated Solenoid Valve (SV)

## SV3000 Series (Rc(PT) 1/4)

- 26.5mm Body width
- Transition Flow 1000 l/min (5bar)



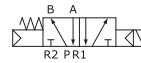
### How to order

SV3 1 30- 220V - GL - P - 02

- ① Solenoid valve
- ② **Function**
  - 1 - 2 position single
  - 2 - 2 position double
  - 3 - 3 position Closed Center
  - 4 - 3 position Exhaust Center
  - 5 - 3 position Pressure Center
- ③ **Coil Rate Voltage**
  - 220V - AC 220V
  - 110V - AC 110V
  - 24V - AC 24V
  - D24V - DC 24V
- ④ **Coil Type**
  - Nil - Without Coil
  - G - Flying Leads (Grommet)
  - GL - Flying Leads with LED lamp(Grommet)
  - C - 3 Pin coil + Connector
  - CL - 3 Pin coil + LED lamp Connector
- ⑤ **Manual Operator**
  - P - Push Button
- ⑥ **Thread Type**
  - Nil - Rc(PT)
  - N - NPT
  - G - G(PF)
- ⑦ **Port Size**
  - 02 - Rc(PT) 1/4(P, A, B), 1/8(R1, R2)

### Symbol

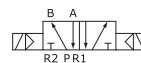
2 Position Single



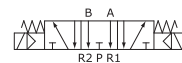
3 Position Closed Center



2 Position Double



3 Position Exhaust Center



3 Position Pressure Center

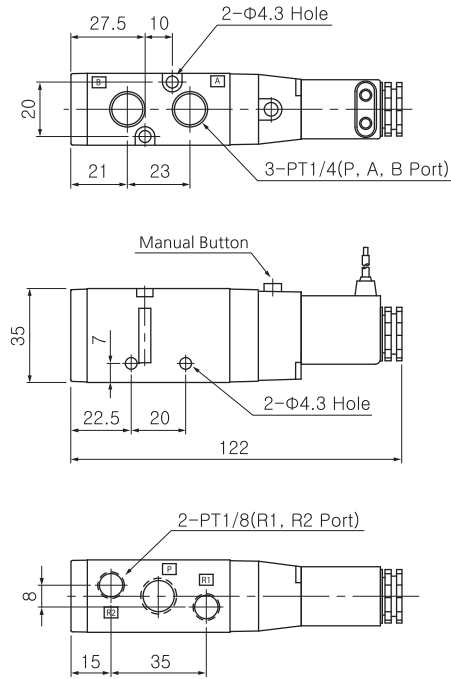


### Specification

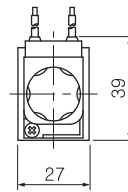
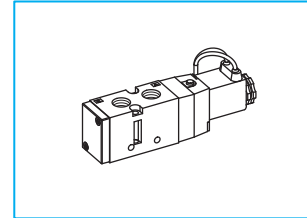
Function	5port 2position	5port 3position
Fluid	Compressed air	
Ambient and Media temp.	5~60℃	
Max. operating pressure	1.5~10bar	2~10bar
Eff. Sectional Area(5bar)	19mm <sup>2</sup>	11.5mm <sup>2</sup>
Response time(5bar)	25ms or less	35ms or less
Max. operating frequency	5c/sec	3c/sec
Lubrication	Not required	
Manual override	Push button	
Coil insulation	F-Class or Equivalent	
Allowable voltage	±10% rated voltage	
Power consumption	AC:4.9VA(60Hz) / DC:2.5W	

## DIMENSIONS (mm)

2position / 5port single(Grommet type)



SV3130-□□□V-G-...



SV1000

SV3000

SV5000

SV6000

SV231  
~232

COIL  
CONNECTOR

SMV100

SMV200

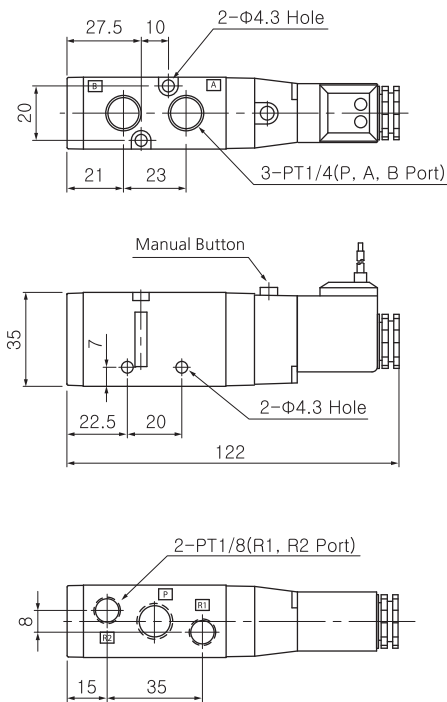
SMVS200

SMVF231  
~232

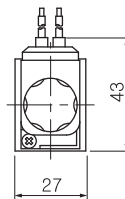
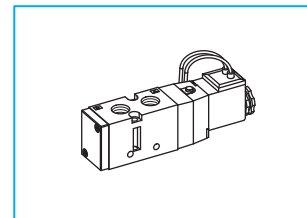
SMVF250

SMVF350

2position / 5port single(Lamp type)



SV3130-□□□V-GL-...



SFVM

SHV

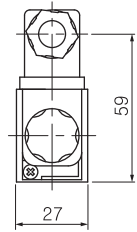
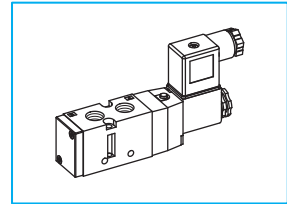
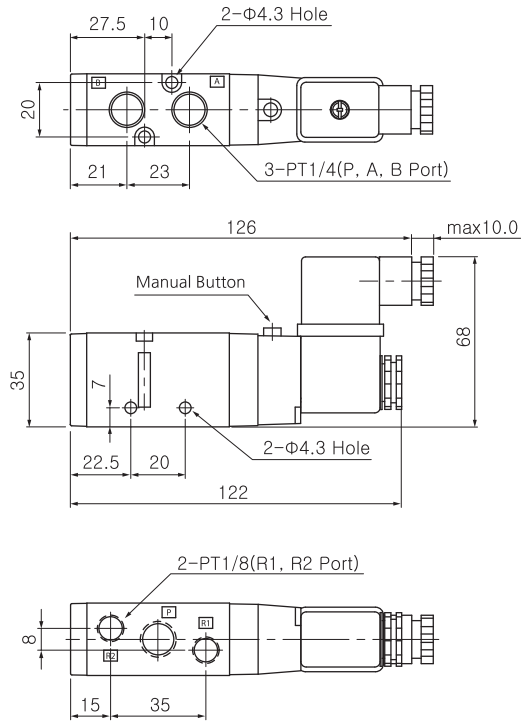
CAUTION

# Series SV3000

## DIMENSIONS (mm)

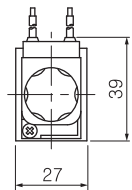
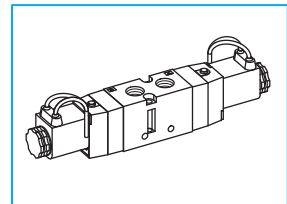
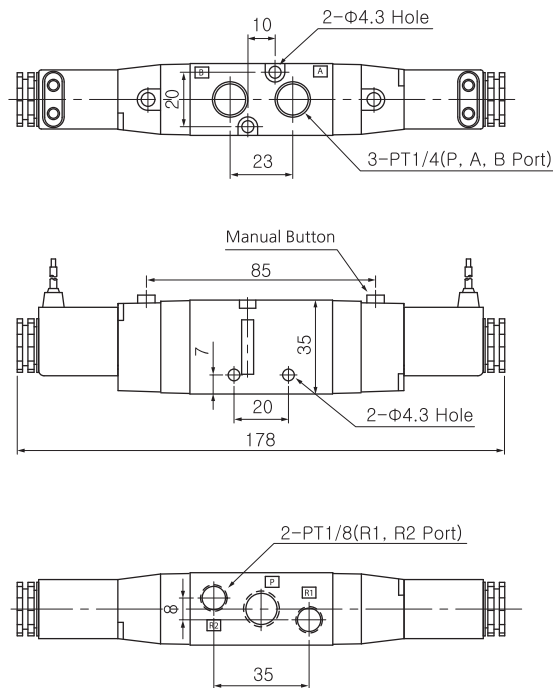
2position / 5port single(Connector type)

SV3130-□□□V-C□-...



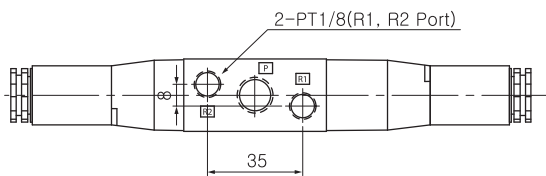
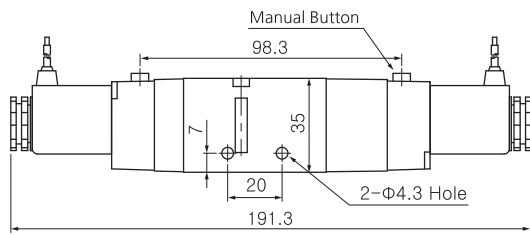
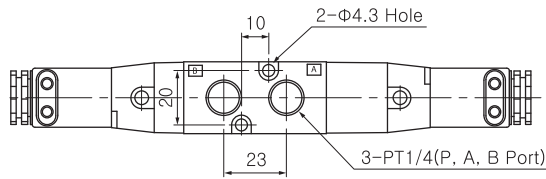
2position / 5port double(Grommet type)

SV3230-□□□V-G-...

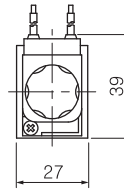
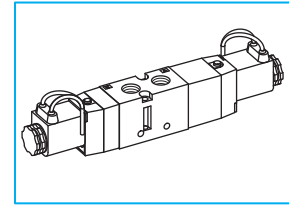


## DIMENSIONS (mm)

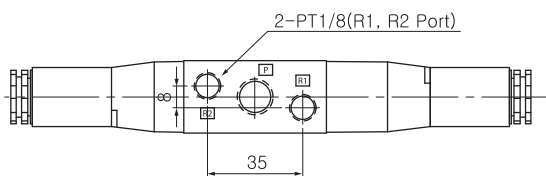
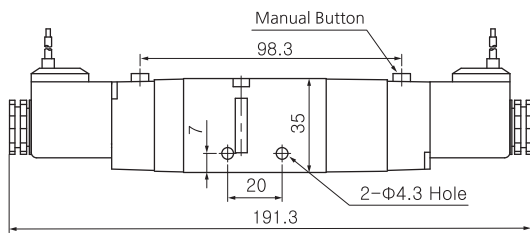
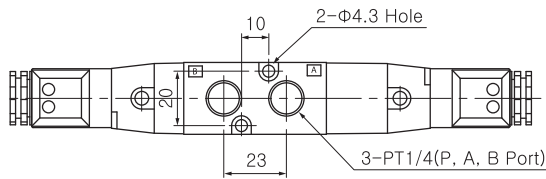
### 3position / 5port double( Grommet type)



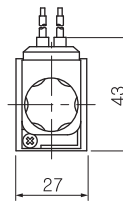
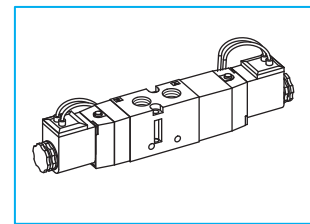
SV3330-□□□V-G-...



### 3position / 5port double( Lamp type)



SV3330-□□□V-GL-...



SV1000

SV3000

SV5000

SV6000

SV231  
~232

COIL  
CONNECTOR

SMV100

SMV200

SMVS200

SMVF231  
~232

SMVF250

SMVF350

SFVM

SHV

CAUTION

# Series SV3000

## DIMENSIONS (mm)

3position / 5port double(Connector type)

SV3330-□□□V-C□-...

