

3port Pilot type Mechanical Valve (SMVF)

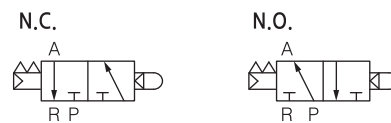
SMVF231~232 Series (Rc(PT) 1/4)



How to order

- SMVF 2 3 1 - 02 - 00**
- ① **Pilot type Mechanical Valve**
 - ② **Number of Port**
3 - 3 Port
 - ③ **Function**
1 - Nomal Close(N.C.)
2 - Nomal Open(N.O.)
 - ④ **Thread type**
Nil - Rc(PT)
N - NPT
G - G(PF)
 - ⑤ **Port size**
02 - 1/4
 - ⑥ **Type of Actuator**
00 - Standard
01 - Roller lever
01S - Roller lever(Bearing type)
02 - One way roller lever
02S - One way roller lever(Bearing type)
30 - Push button(Mushroom type)
32 - Push button(Flat type)
34 - Selector(2position)

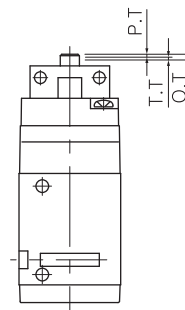
Symbol



Specification

| | |
|-------------------------|-------------------------|
| Fluid | Compressed Air |
| Max. operating pressure | 1.5~10bar (0.15~1MPa) |
| Ambient and Media temp. | -5~60℃ (No freezing) |
| Effective orifice(Cv) | 19mm ² (1.0) |
| Lubrication | Not required |
| Port size | 1/4 |

Operating point of Mechanical valve

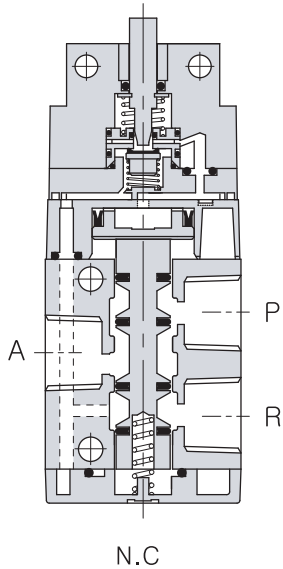


| | |
|------|--|
| P.T. | From the free position to the operating position of actuator |
| O.T. | From the operating position to the operating limit of actuator |
| T.T. | From the free position to the operating limit of actuator |

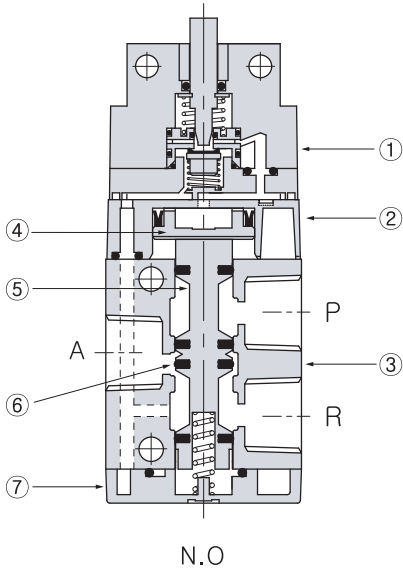
Pilot type Mechanical Valve

STRUCTURE / PARTS

SMVF 231



SMVF 232



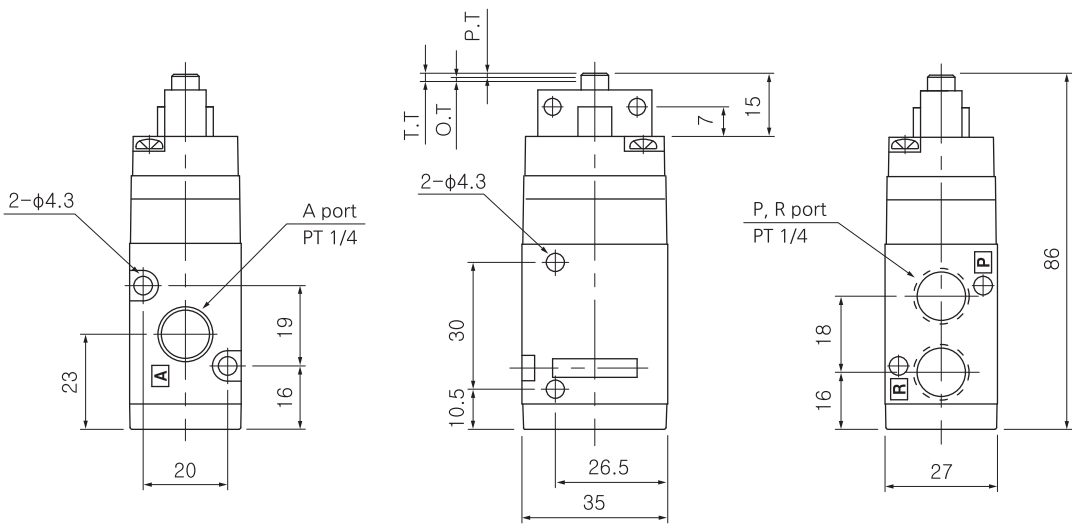
| No. | PARTS | MATERIAL |
|-----|----------------|----------|
| ① | Pilot guide | ZnDC |
| ② | Pilot cylinder | N66G |
| ③ | Body | ALDC |
| ④ | Piston | POM |
| ⑤ | Spool | A2011 |
| ⑥ | I-ring | NBR |
| ⑦ | Cover | ALDC |

- SV1000
- SV3000
- SV5000
- SV6000
- SV231 ~232
- COIL CONNECTOR
- SMV100
- SMV200
- SMVS200
- SMVF231 ~232
- SMVF250
- SMVF350
- SFVM
- SHV
- CAUTION

DIMENSIONS (mm)

SMVF 231-02-00
232-02-00

| | |
|------|---|
| P.T. | 1 |
| O.T. | 2 |
| T.T. | 3 |

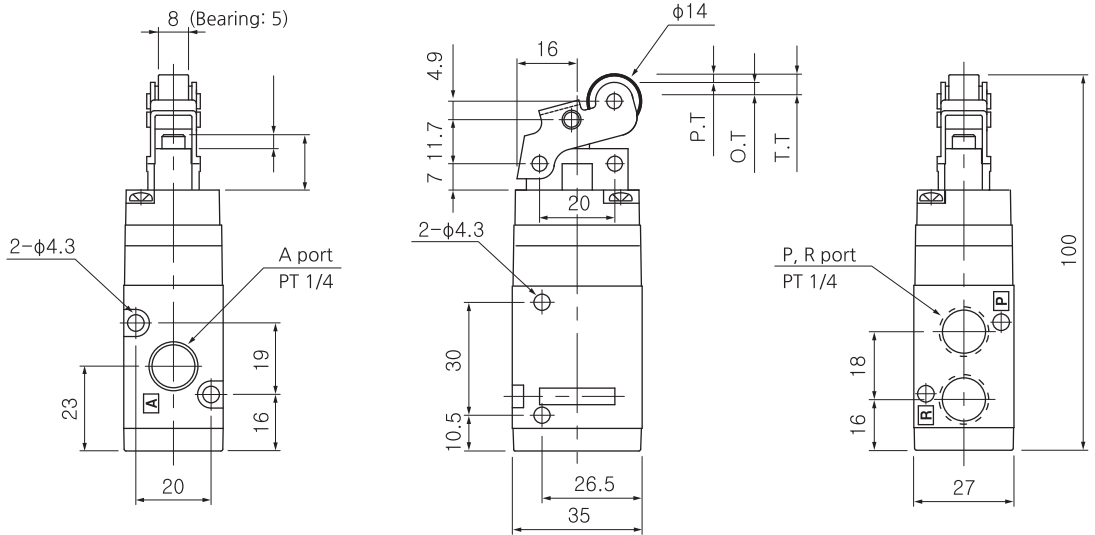


Series SMF231~232

DIMENSIONS (mm)

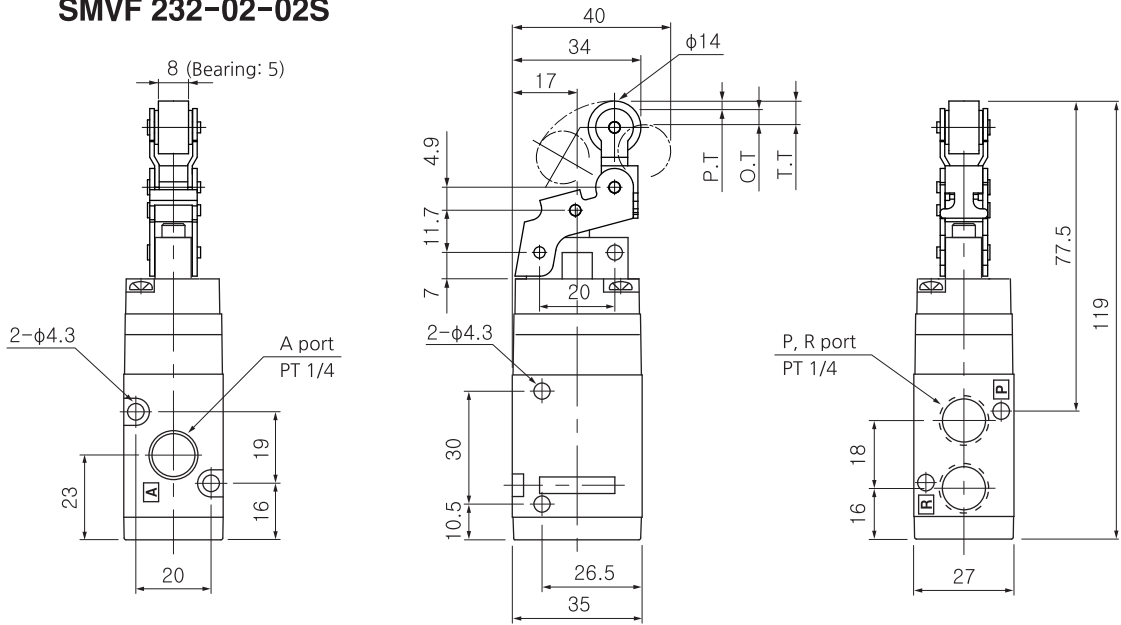
- SMVF 231-02-01**
- 232-02-01**
- 231-02-01S**
- 232-02-01S**

| | |
|------|---|
| P.T. | 2 |
| O.T. | 4 |
| T.T. | 6 |



- SMVF 231-02-02**
- SMVF 232-02-02**
- SMVF 231-02-02S**
- SMVF 232-02-02S**

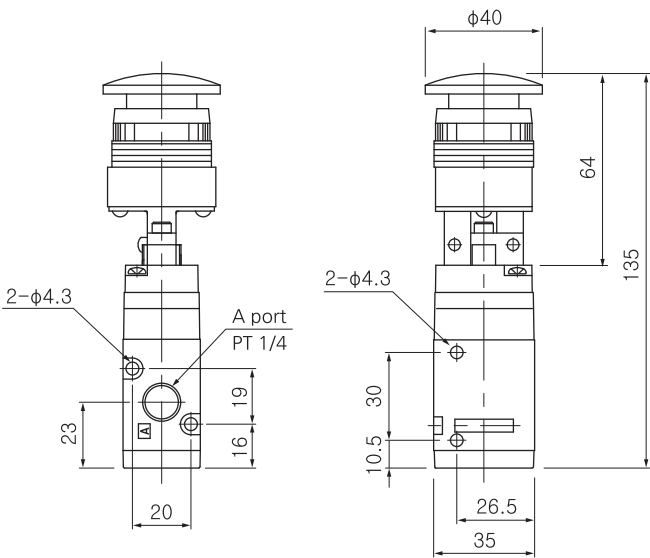
| | |
|------|-----|
| P.T. | 2.2 |
| O.T. | 4 |
| T.T. | 6.2 |



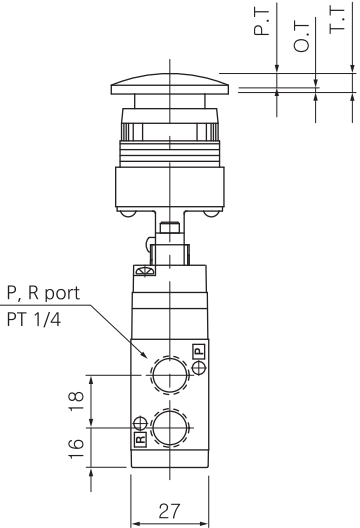
Pilot type Mechanical Valve

DIMENSIONS (mm)

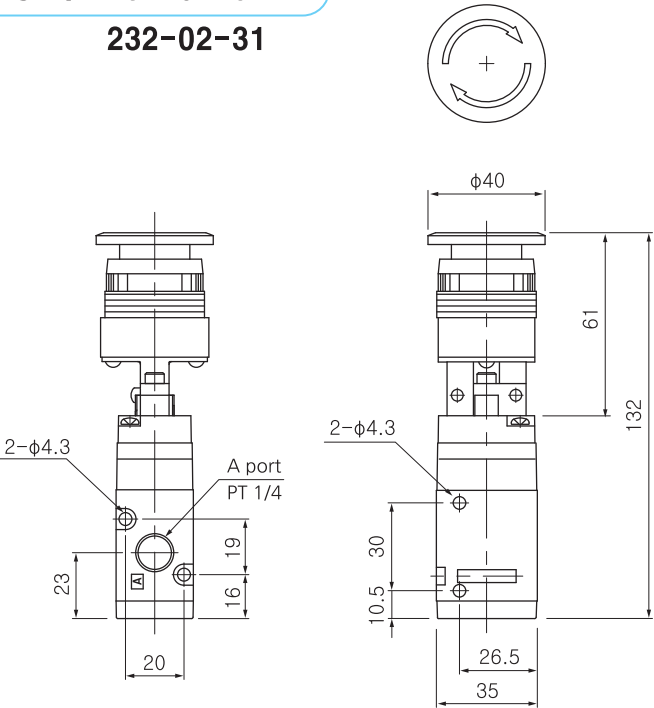
SMVF 231-02-30
232-02-30



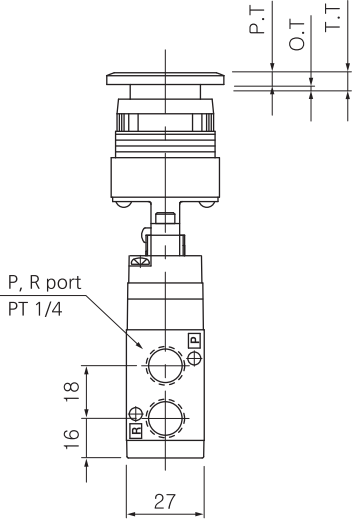
| | |
|------|---|
| P.T. | 6 |
| O.T. | 2 |
| T.T. | 8 |



SMVF 231-02-31
232-02-31



| | |
|------|---|
| T.T. | 8 |
|------|---|



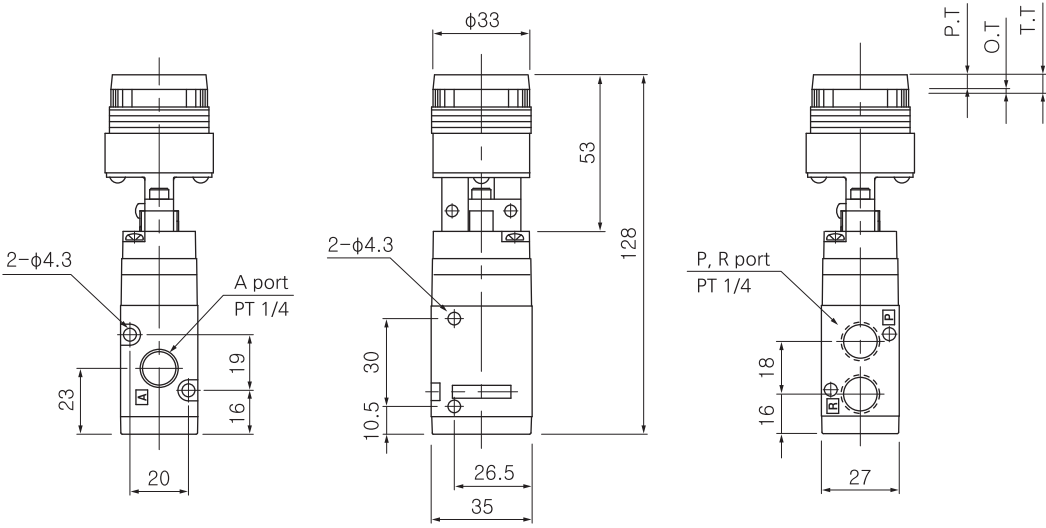
- SV1000
- SV3000
- SV5000
- SV6000
- SV231 ~232
- COIL CONNECTOR
- SMV100
- SMV200
- SMVS200
- SMVF231 ~232
- SMVF250
- SMVF350
- SFVM
- SHV
- CAUTION

Series SMVF231~232

DIMENSIONS (mm)

SMVF 231-02-32
232-02-32

| | |
|------|---|
| P.T. | 6 |
| O.T. | 2 |
| T.T. | 8 |



SMVF 231-02-34
232-02-34

| | |
|------|-----|
| T.T. | 90° |
|------|-----|

