

5port Pilot type Mechanical Valve (SMVF)

SMVF250 Series (Rc(PT) 1/4)



SV1000

SV3000

SV5000

SV6000

SV231
~232

COIL
CONNECTOR

SMV100

SMV200

SMV5200

SMVF231
~232

SMVF250

SMVF350

SFVM

SHV

CAUTION

How to order

- SMVF 2 5 0 - 02 - 00**
- ① **Pilot type Mechanical Valve**
 - ② **Number of Port**
5 - 5 Port
 - ③ **Thread type**
Nil - Rc(PT)
N - NPT
G - G(PF)
 - ④ **Port size**
02 - 1/4
 - ⑤ **Type of Actuator**
 - 00 - Standard
 - 01 - Roller lever
 - 015 - Roller lever(Bearing type)
 - 02 - One way roller lever
 - 02S - One way roller lever(Bearing type)
 - 30 - Push button(Mushroom type)
 - 32 - Push button(Flat type)
 - 34 - Selector(2position)

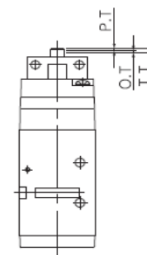
Symbol



Specification

Fluid	Compressed Air
Max. operating pressure	1.5~10bar (0.15~1MPa)
Ambient and Media temp.	-5 ~ 60°C (No freezing)
Effective orifice(Cv)	19mm ² (1.0)
Lubrication	Not required
Port size	1/4

Operating point of Mechanical valve

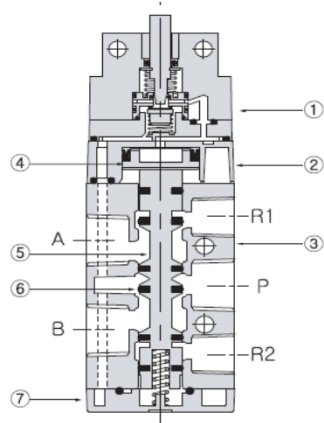


P.T.	From the free position to the operating position of actuator
O.T.	From the operating position to the operating limit of actuator
T.T.	From the free position to the operating limit of actuator

Series SMVF250

STRUCTURE / PARTS

SMVF 250

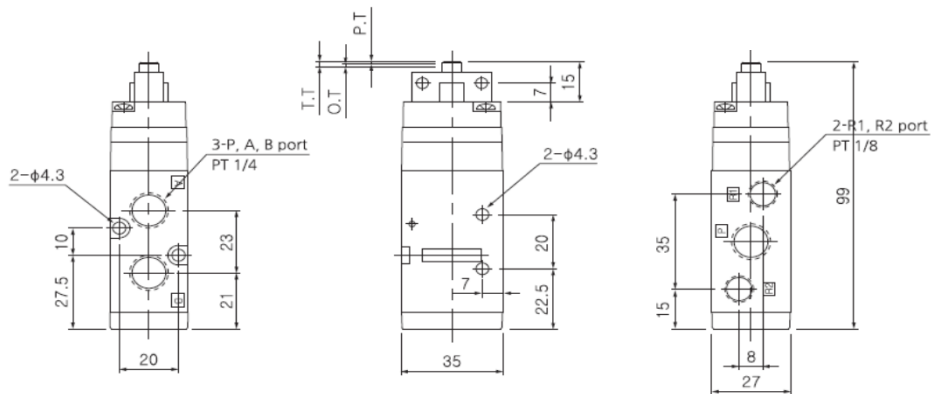


No.	PARTS	MATERIAL
①	Pilot guide	ZnDC
②	Pilot cylinder	N66G
③	Body	ALDC
④	Piston	POM
⑤	Spool	A2011
⑥	I-ring	NBR
⑦	Cover	ALDC

DIMENSIONS (mm)

SMVF 250-02-00

P.T.	1
O.T.	2
T.T.	3

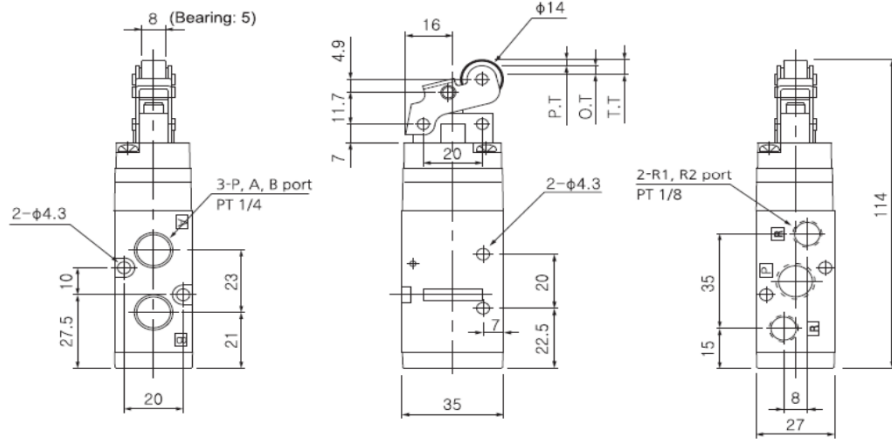


Pilot Mechanical Valve

DIMENSIONS (mm)

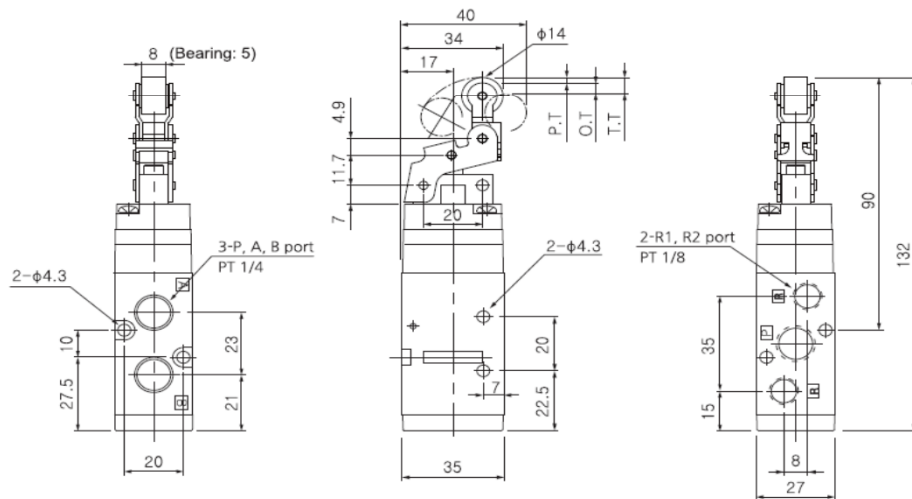
SMVF 250-02-01
SMVF 250-02-01S

P.T.	2
O.T.	4
T.T.	6



SMVF 250-02-02
SMVF 250-02-02S

P.T.	2.2
O.T.	4
T.T.	6.2



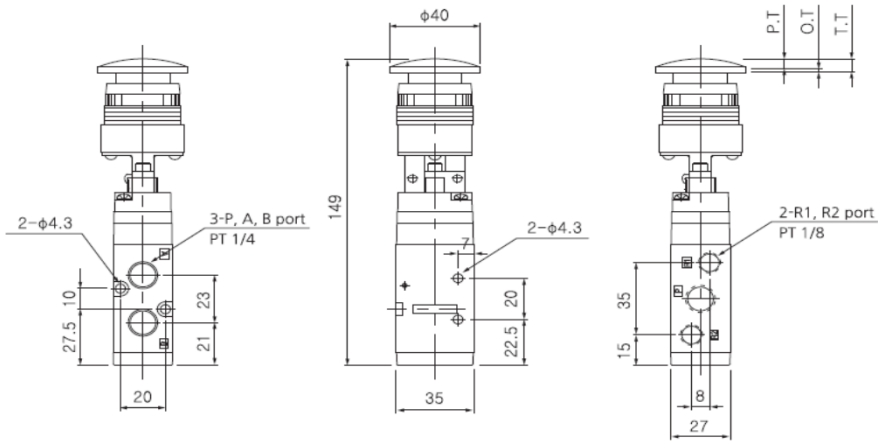
- SV1000
- SV3000
- SV5000
- SV6000
- SV231 ~232
- COIL CONNECTOR
- SMV100
- SMV200
- SMVS200
- SMVF231 ~232
- SMVF250**
- SMVF350
- SFVM
- SHV
- CAUTION

Series SMVF250

DIMENSIONS (mm)

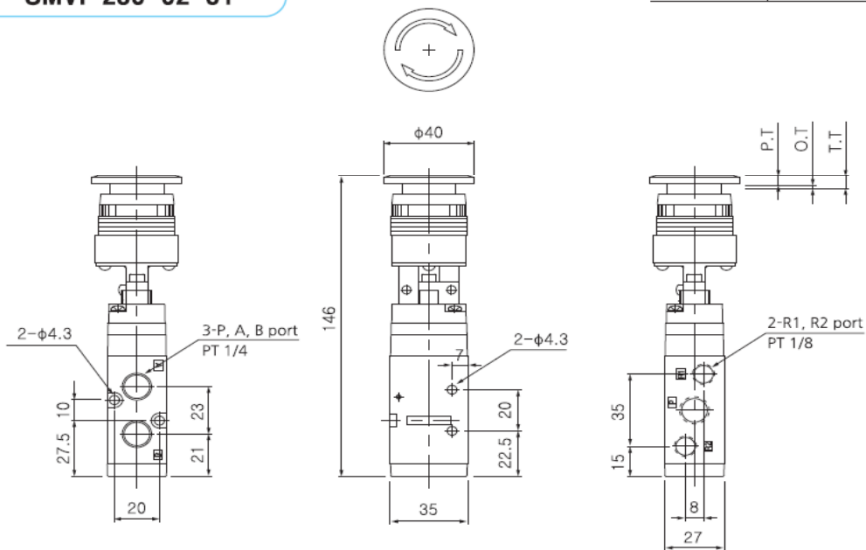
SMVF 250-02-30

P.T.	6
O.T.	2
T.T.	8



SMVF 250-02-31

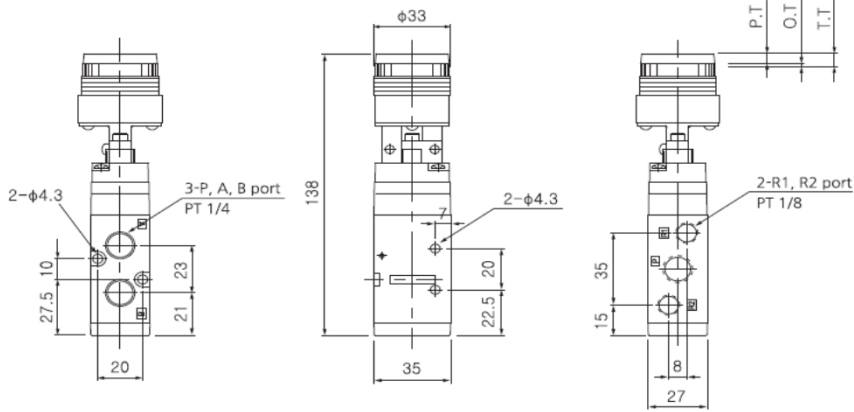
T.T.	8
------	---



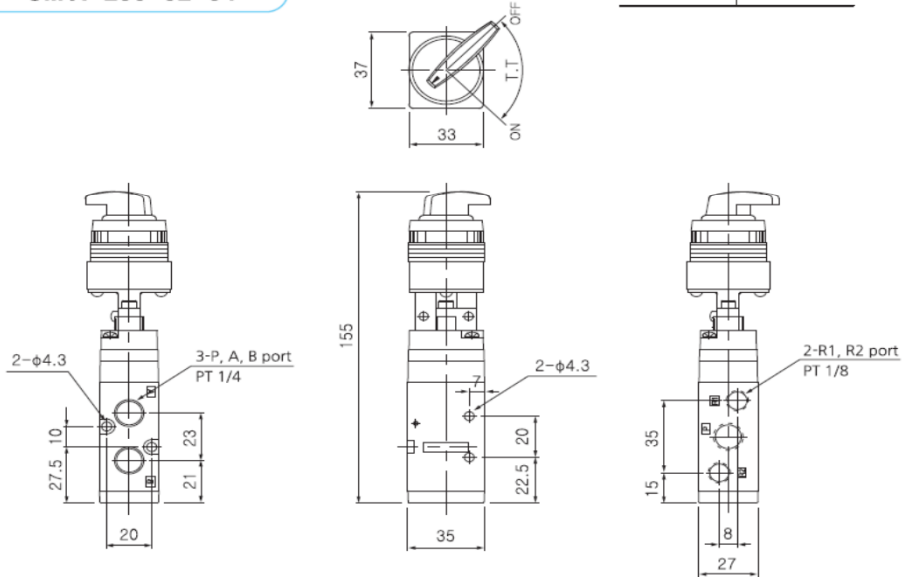
Pilot type Mechanical Valve

DIMENSIONS (mm)

SMVF 250-02-32



SMVF 250-02-34



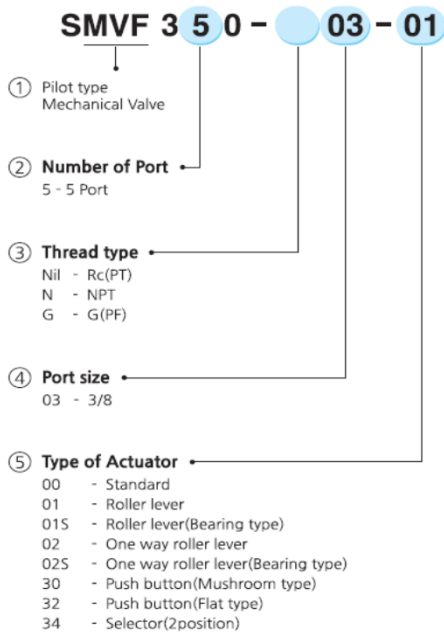
- SV1000
- SV3000
- SV5000
- SV6000
- SV231 ~232
- COIL CONNECTOR
- SMV100
- SMV200
- SMV5200
- SMVF231 ~232
- SMVF250**
- SMVF350
- SFVM
- SHV
- CAUTION

5port Pilot type Mechanical Valve (SMVF)

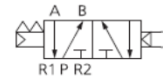
SMVF350 Series (Rc(PT) 3/8)



How to order



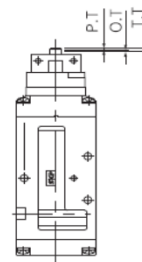
Symbol



Specification

Fluid	Compressed Air
Max. operating pressure	1.5~10bar (0.15~1MPa)
Ambient and Media temp.	-5~60°C (No freezing)
Effective orifice(Cv)	45mm ² (2.4)
Lubrication	Not required
Port size	3/8

Operating point of Mechanical valve

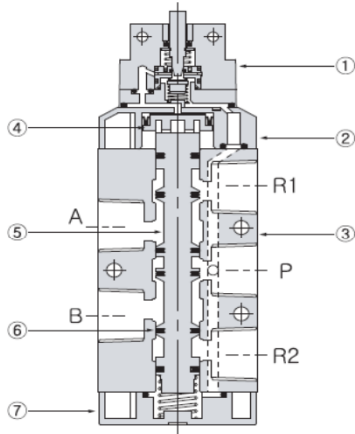


P.T.	From the free position to the operating position of actuator
O.T.	From the operating position to the operating limit of actuator
T.T.	From the free position to the operating limit of actuator

Pilot type Mechanical Valve

STRUCTURE / PARTS

SMVF 350



No.	PARTS	MATERIAL
①	Pilot guide	ZnDC
②	Pilot cylinder	N66G
③	Body	ALDC
④	Piston	POM
⑤	Spool	A2011
⑥	I-ring	NBR
⑦	Cover	ALDC

SV1000

SV3000

SV5000

SV6000

SV231
~232

COIL
CONNECTOR

SMV100

SMV200

SMVS200

SMVF231
~232

SMVF250

SMVF350

SFVM

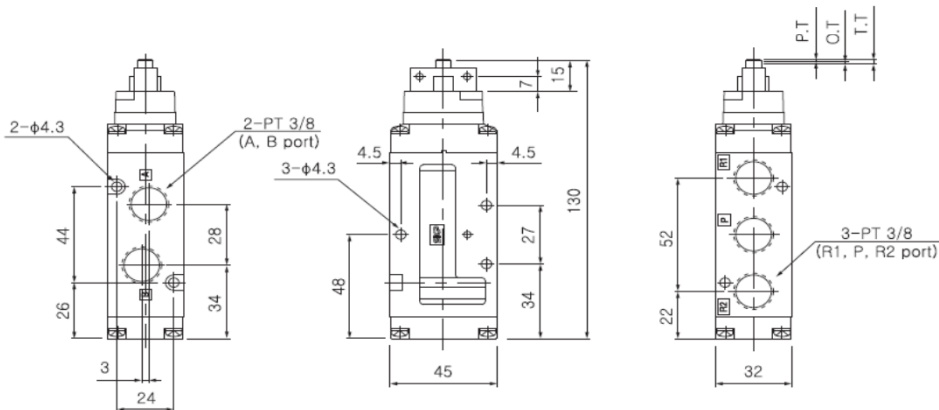
SHV

CAUTION

DIMENSIONS (mm)

SMVF 350-03-00

P.T.	1
O.T.	2
T.T.	3



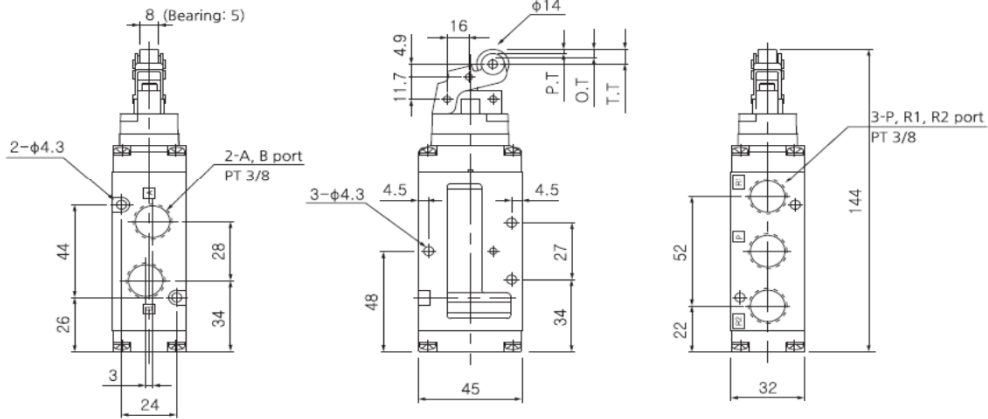
Series SMVF350

DIMENSIONS (mm)

SMVF 350-03-01

SMVF 350-03-01S

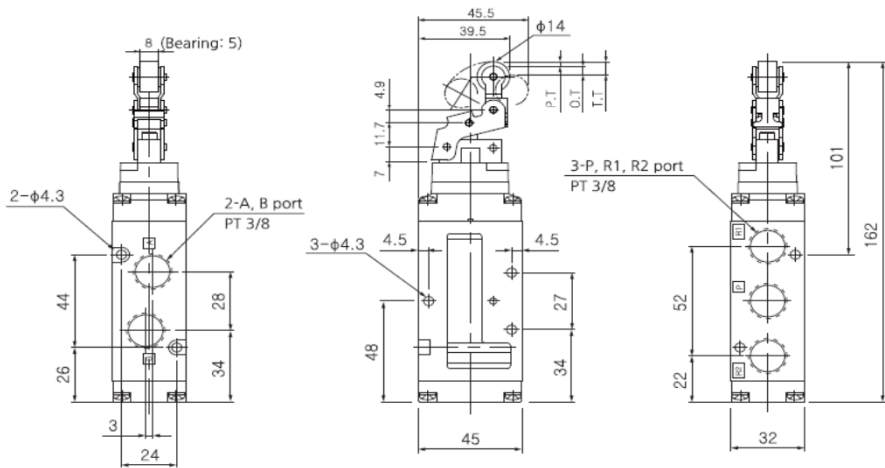
P.T.	2
O.T.	4
T.T.	6



SMVF 350-02-02

SMVF 350-02-02S

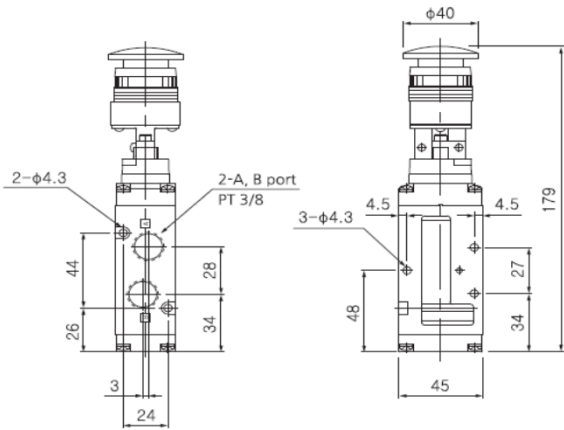
P.T.	2.2
O.T.	4
T.T.	6.2



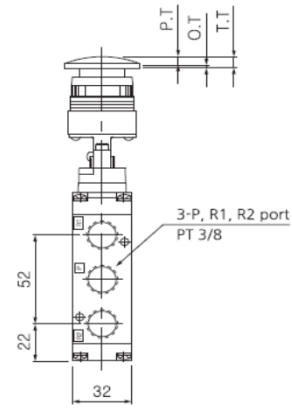
Pilot type Mechanical Valve

DIMENSIONS (mm)

SMVF 350-03-30

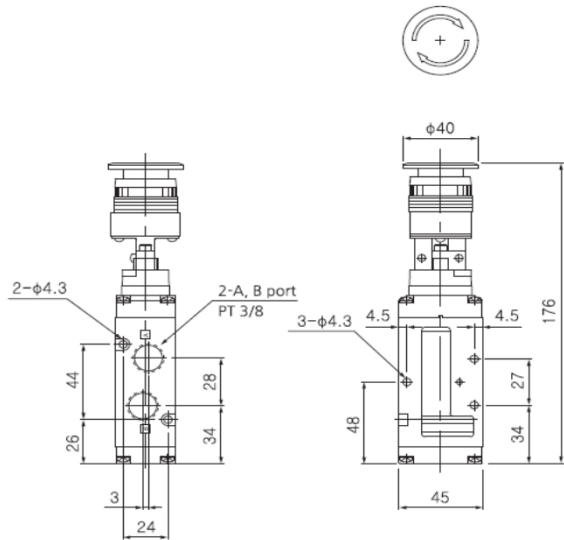


P.T.	6
O.T.	2
T.T.	8

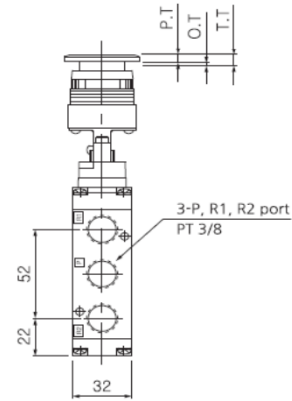


- SV1000
- SV3000
- SV5000
- SV6000
- SV231 ~232
- COIL CONNECTOR
- SMV100
- SMV200
- SMVS200
- SMVF231 ~232
- SMVF250
- SMVF350**
- SFVM
- SHV
- CAUTION

SMVF 350-03-31



T.T.	8
------	---

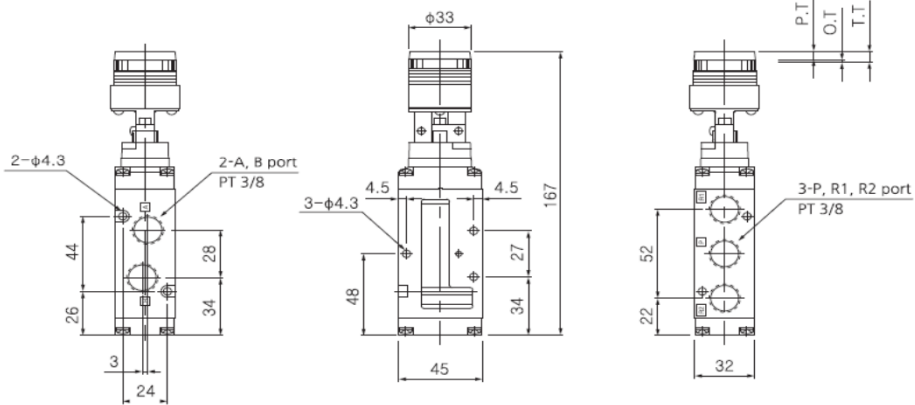


Series SMVF350

DIMENSIONS (mm)

SMVF 350-03-32

P.T.	6
O.T.	2
T.T.	8



SMVF 350-03-34

T.T.	90°
------	-----

