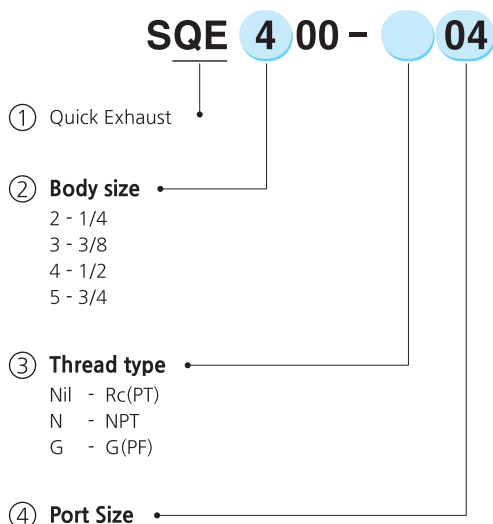


Quick Exhaust Valve (SQE)

SQE200~500 Series

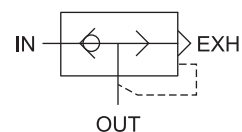


How to order



Symbol	Size	Body size			
		2	3	4	5
02	1/4	●			
03	3/8		●		
04	1/2			●	
06	3/4				●

Symbol

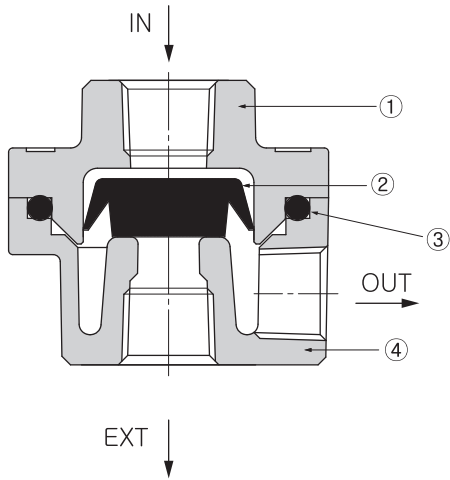


Specification

Fluid	Compressed Air
Max. supply pressure	10bar (1.0MPa)
Max. operating pressure	15bar (1.5MPa)
Ambient temperature	-5 ~ 60℃(No freezing)

STRUCTURE / PARTS

SQE 200 ~ 500



No.	PARTS	MATERIAL
①	Cover	ALDC
②	Valve ¹⁾	NBR
③	O - ring	NBR
④	Body	ALDC

Note : 1. SQE500 - Urethane

SAS

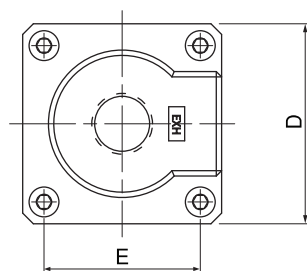
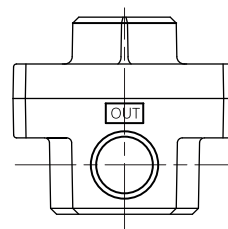
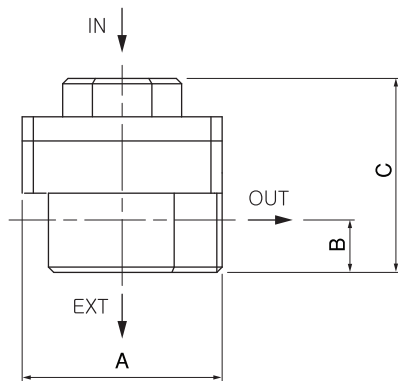
SQE

SJ

SRJ

DIMENSIONS (mm)

SQE 200 ~ 500



MODEL	Port size	A	B	C	D	E
SQE 200	1/4	45	10	40	45	35
SQE 300	3/8	56	15	55	56	44
SQE 400	1/2	56	15	55	56	44
SQE 500	3/4	80	18	71	80	58