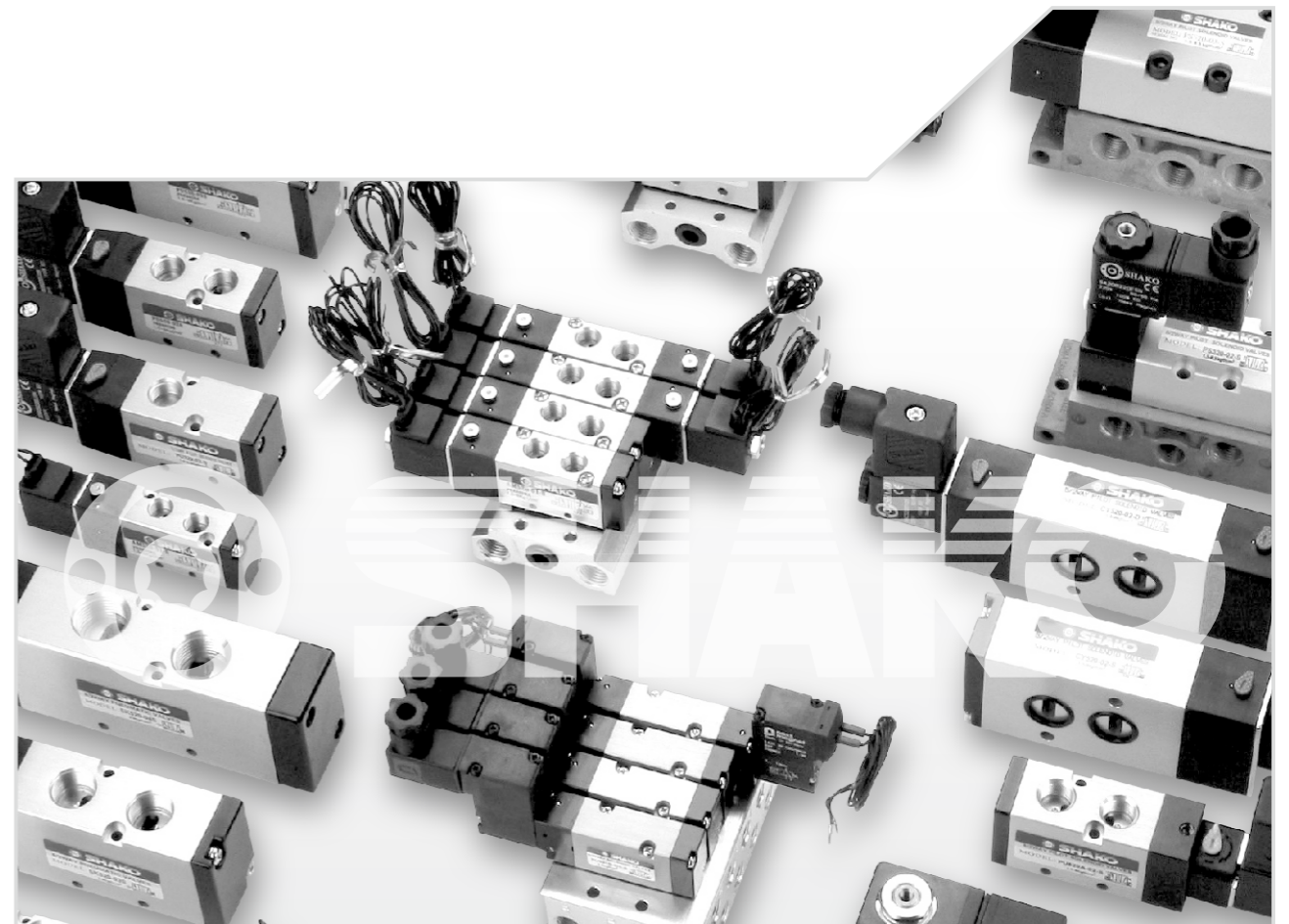


SOLENOID VALVES

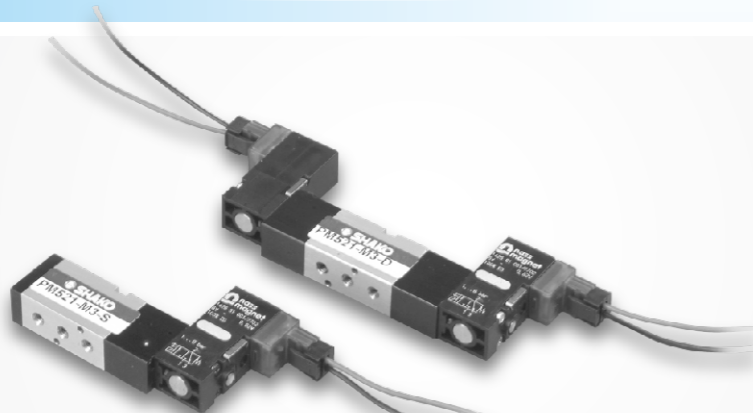


SOLENOID VALVES

SOLENOID VALVES

Features

- * Plug with standard JPC design (with LED) for coil, simple installation.
- * Miniature and Compact size, 10mm width, large flow rate.
- * Anodized aluminum body and strict quality control provide a long durability.
- * Quick acting, low starting pressure.
- * Low power consumption 0.65W.



How to order

PM521	A	F	-	M3	-	S	9	LED
10mm valves series	Valve type	Manifold		Port size	Solenoid	Voltage	LED	
5/2 way	A Body ported B Base mounted	Blank Standard (W/O manifold) F01 W/I single sub base (B type) Fxx xx stations manifold (B type) M02 2 stations manifold (A type) Mxx xx stations manifold (A type)			S Single solenoid D Double solenoid	6 6VDC 7 12VDC 9 24VDC	Blank (W/O LED)	

How to order manifold

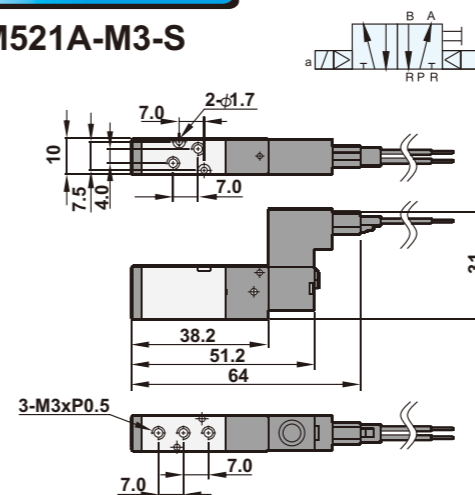
PM521	A	-	M5	02
10mm valves series	Manifold type		Port size	Stations
5/2 way	A For body ported valve B For base mounted valve			02 2 stations 03 3 stations XX XX stations

Specifications

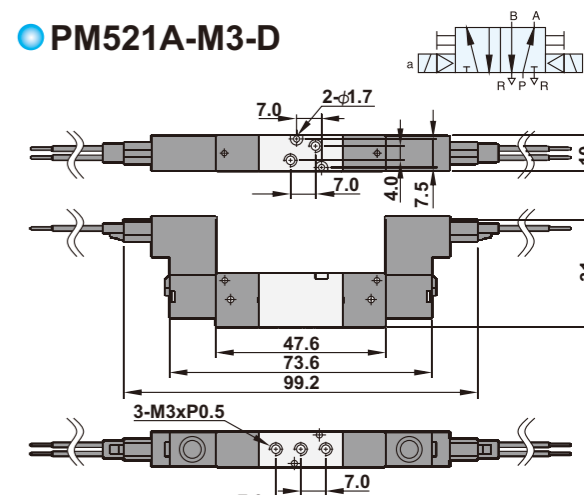
Model	PM521-M3-S	PM521-M3-D
Port size	M3	
Body material	Aluminum alloy	
Fluid	Compressed air	
Sectional area	1.0mm ²	
Acting	Internal pilot	
Operating pressure range	1.0 ~ 7 kgf/cm ²	
Cycle rate	500 cpm	
Proof pressure	8.0 kgf/cm ²	
Ambient temperature	-10°C ~ 60°C	
Duty cycle	100% ED	
Electrical connection	JPC plug connector	
Protection class	IP65(DIN 40 050)	
Insulation class	F	
Voltage tolerance	±10%	
Standard voltage	6VDC, 12VDC, 24VDC (The other voltage is optional)	
Net weight	35g	48g

Dimensions

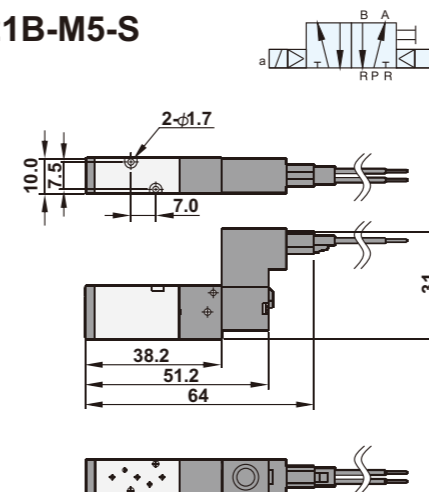
PM521A-M3-S



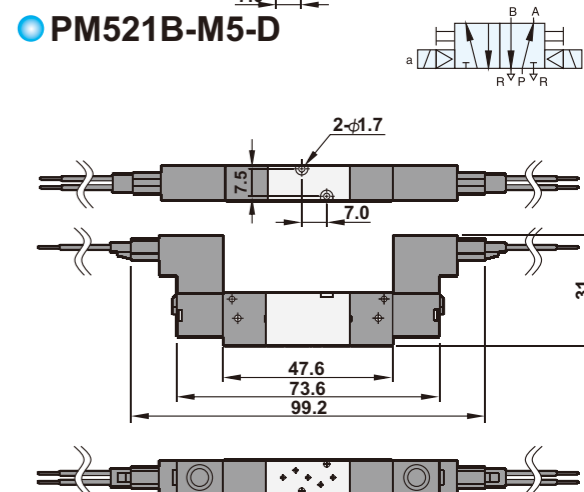
PM521A-M3-D



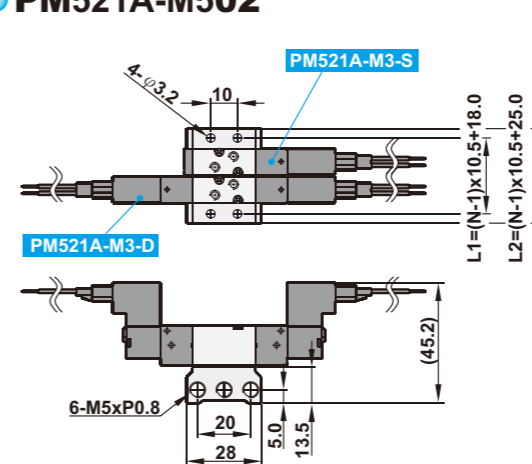
PM521B-M5-S



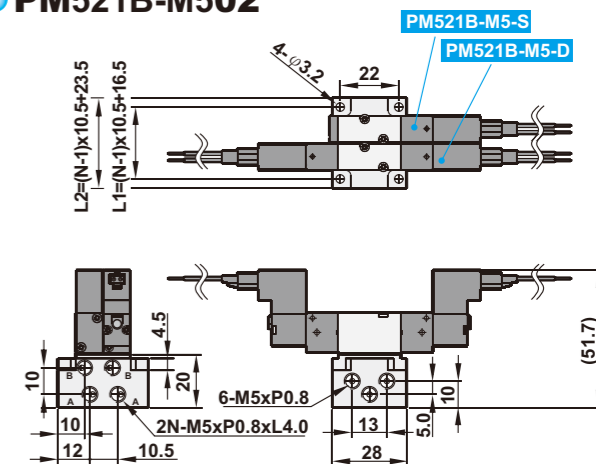
PM521B-M5-D



PM521A-M502



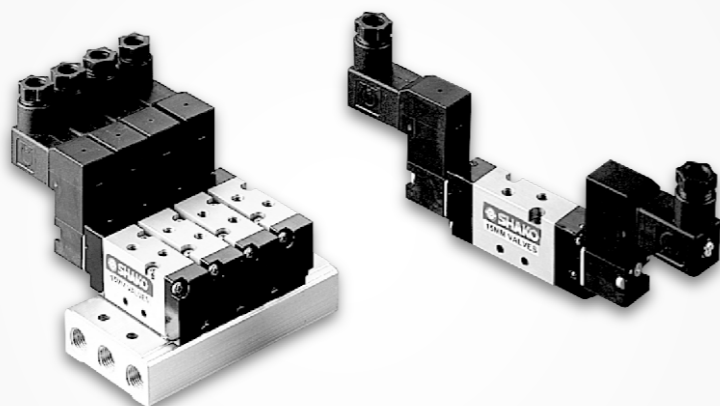
PM521B-M502



Number of station (N)	2	3	4	5	6	7	8	9	10
L1	28.5	39.0	49.5	60.0	70.5	81.0	91.5	102.0	112.5
L2	35.5	46.0	56.5	67.0	77.5	88.0	98.5	109.0	119.5

Features

- * Miniature and Compact size, 15mm width, large flow rate (0.25Cv).
- * Manual override design for easy test and operation.
- * Anodized aluminum body and strict quality control provide a long durability.
- * Quick acting, low starting pressure.



How to order

PU521	A	F	-	M5	-	S	2	D	LED
15mm valves series	Valve type	Manifold		Port size	Solenoid	Voltage	Coil type	LED	
5/2 way	A Body ported B Base mounted	Blank Standard (W/O manifold) F01 W/I single sub base (B type) F02 2 stations manifold (B type) Fxx xx stations manifold (B type) M02 2 stations manifold (A type) Mxx xx stations manifold (A type)	M5 M5	S Single solenoid D Double solenoid	1 110VAC 2 220VAC 9 24VDC	Blank Lead wire D DIN	Blank (W/O LED)		

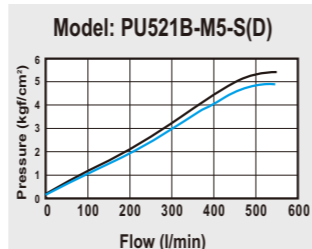
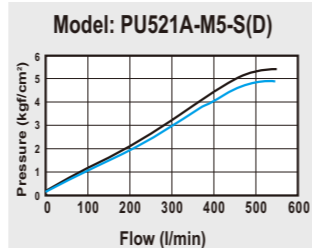
How to order manifold

MF521	A	-	M5	02
15mm valves series	Manifold type		Stations	
5/2 way	A For body ported valve B For base mounted valve		02 2 stations 03 3 stations XX XX stations	

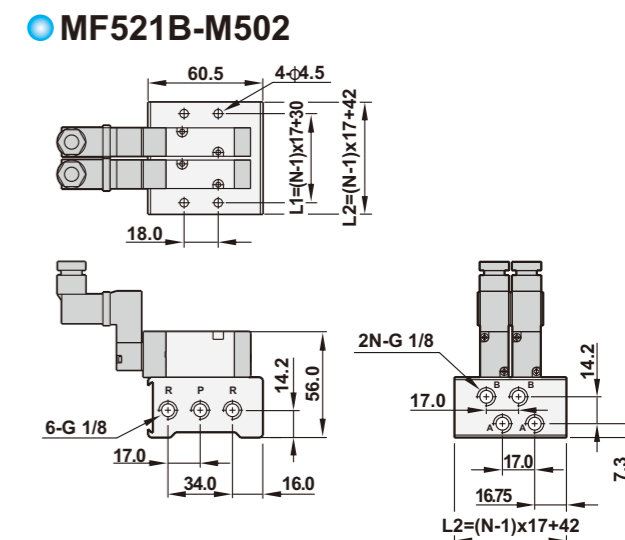
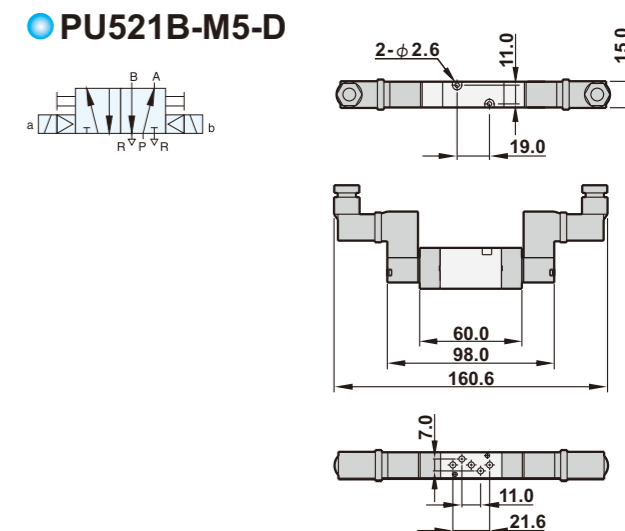
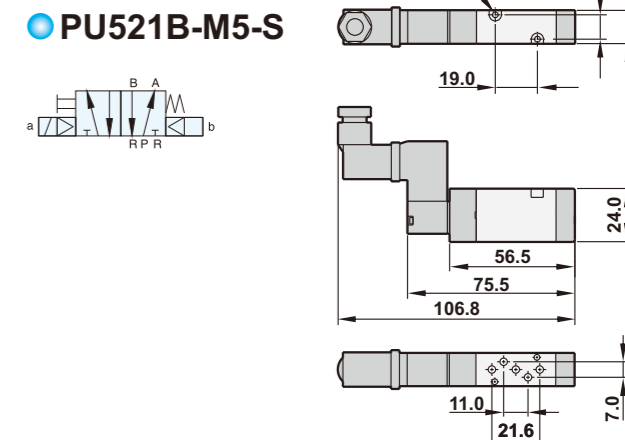
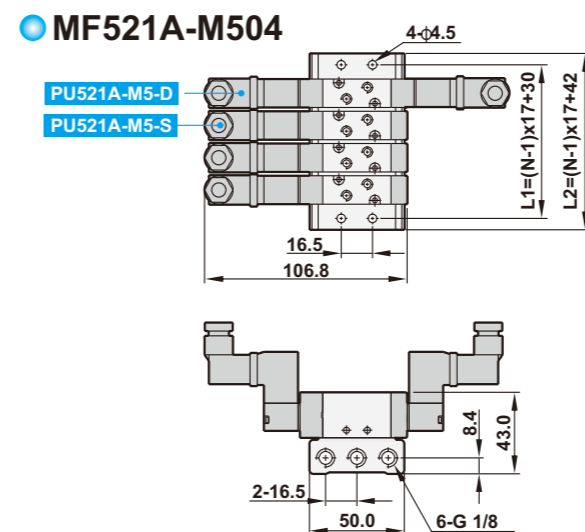
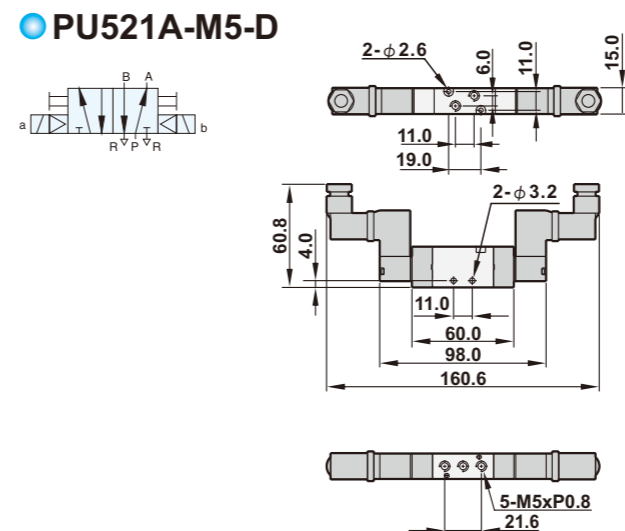
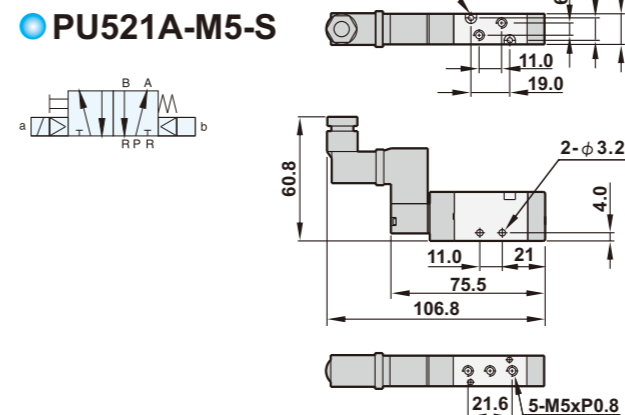
Specifications

Model	PU521A-M5-S(D)	PU521B-M5-S(D)
Port size	M5	
Body material	Aluminum alloy	
Fluid	Compressed air	
Acting	Internal pilot	
Operating pressure range	1 ~ 8 kgf/cm ²	
Proof pressure	9 kgf/cm ²	
Sectional area	3.5mm ²	
Cycle rate	120 cpm	
Ambient temperature	-10°C ~ 50°C	
Duty cycle	100% ED	
Coil type	Lead wire(Standard), DIN(Optional)	
Protection class	IP65(DIN 40 050)	
Insulation class	F	
Voltage tolerance	±10%	
Standard voltage	220VAC, 110VAC, 24VDC (The other voltage is optional)	
Net weight	96g	106g

Flow chart



Dimensions



Number of station (N)	2	3	4	5	6	7	8	9	10
L1	47.0	64.0	81.0	98.0	115.0	132.0	149.0	166.0	183.0
L2	59.0	76.0	93.0	110.0	127.0	144.0	161.0	178.0	195.0

Features

- * Medium and compact size, 18mm width solenoid valve.
- * Manual override design for easy test and operation.
- * Anodized aluminum body and strict quality control provide a long durability.



How to order

AM520	B	X	-	01	N	-	S	2	D	LED
18mm valves series	Valve type	Acting style		Port size	Thread	Solenoid		Voltage	Coil type	LED
52 5/2 way 53 5/3 way	Blank Body ported B Base mounted	Blank Standard X Exhaust center Y Pressurized center	01 1/8"	Blank G N NPT	S Single solenoid D Double solenoid	1 110VAC 2 220VAC 9 24VDC	Blank Lead wire D DIN	Blank (W/O LED)		

How to order manifold

MF520	-	01	N	02
18mm valves series		Port size	Thread	Stations
For body ported valve		01 1/8"	Blank G N NPT	02 2 stations 03 3 stations XX XX stations

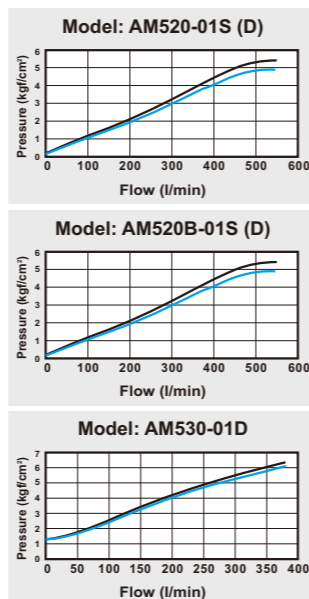
How to order manifold (B type)

SF520	-	01	N	02
18mm valves series		Port size	Thread	Stations
For base mounted valve		01 1/8"	Blank G N NPT	02 2 stations 03 3 stations XX XX stations

Specifications

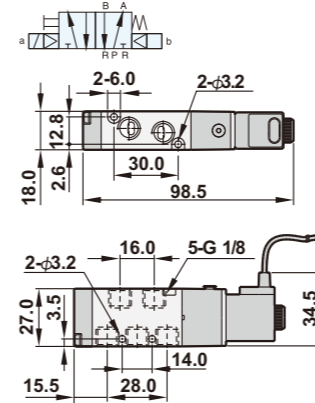
Model	AM520-01-S(D)	AM520B-01-S(D)	AM530-01-D
Port size	1/8"		
Body material	Aluminum alloy		
Fluid	Compressed air		
Acting	Internal pilot		
Sectional area	11mm ² / 25mm ²	9mm ²	
Operating pressure range	1.5~8 kgf/cm ²	2~7 kgf/cm ²	
Proof pressure	9.9 kgf/cm ²		
Ambient temperature	-10°C ~ 50°C		
Duty cycle	100% ED		
Coil type	Lead wire (Standard), DIN (Option)		
Protection class	IP65 (DIN 40 050)		
Insulation class	F		
Voltage tolerance	±10%		
Standard voltage	220VAC, 110VAC, 24VDC (The other voltage is optional)		
Net weight	125g (195g)	580g (660g)	215g

Flow chart

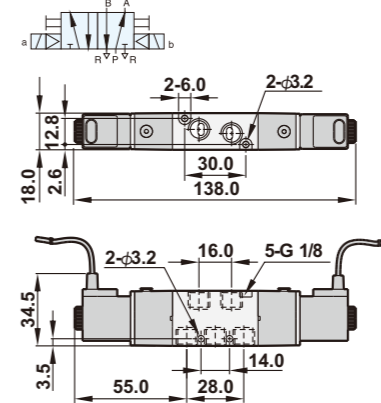


Dimensions

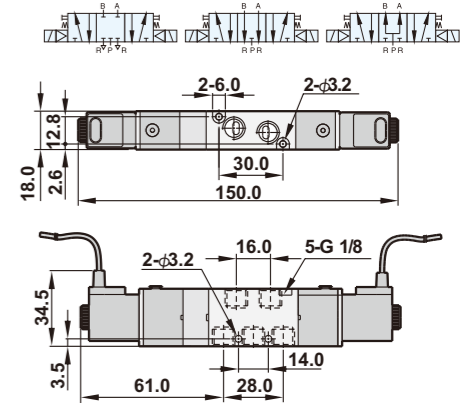
AM520-01-S



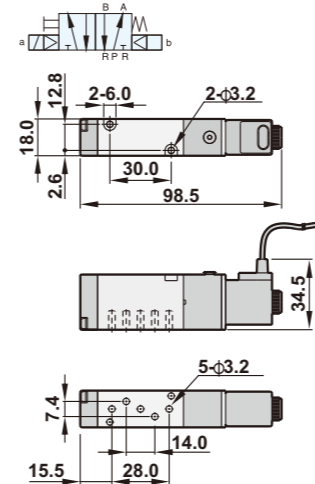
AM520-01-D



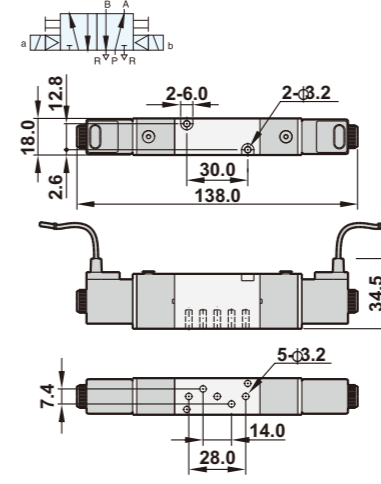
AM530(X)(Y)-01-D



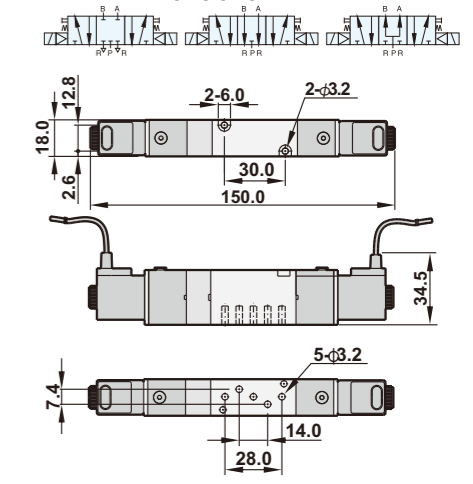
AM520B-01-S



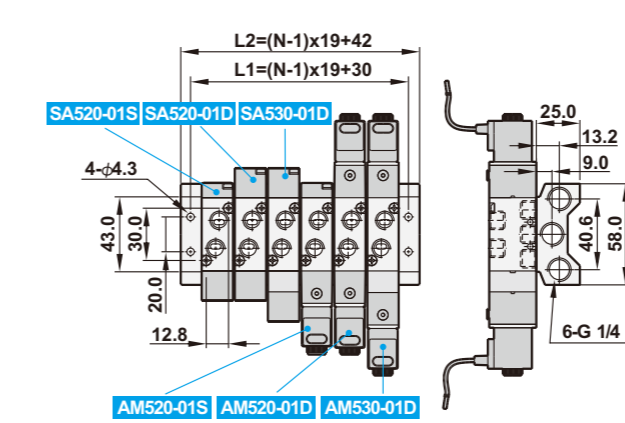
AM520B-01-D



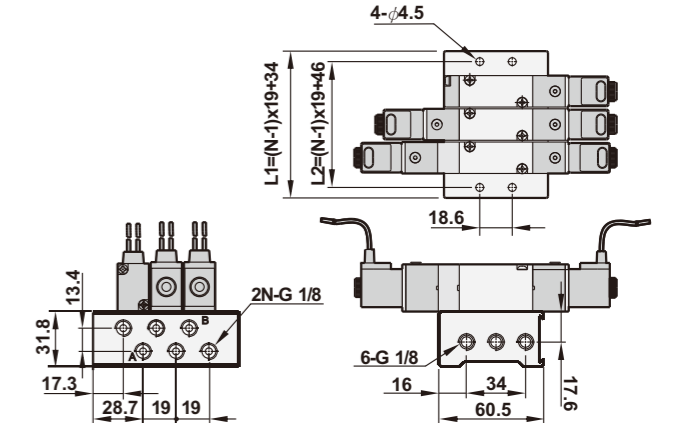
AM530(X)(Y)B-01-D



MF520-0106



SF520-0103



Number of station (N)	2	3	4	5	6	7	8	9	10
L1	49	68	87	106	125	144	163	181	201
L2	61	80	99	118	137	156	175	194	213

Number of station (N)	2	3	4	5	6	7	8	9	10
L1	53	72	91	110	129	148	167	186	205
L2	65	84	103	122	141	160	179	198	217

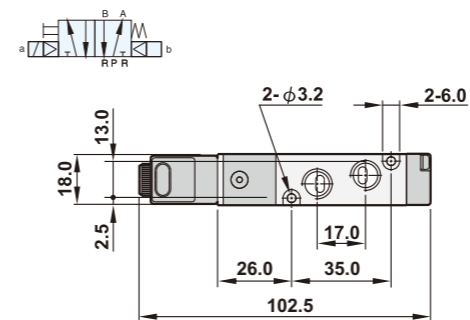
Features

- * Medium and compact size, 18mm width solenoid valve.
- * Manual override design for easy test and operation.
- * Anodized aluminum body and strict quality control provide a long durability.
- * The mounting position is identical to the counter product from SMC.

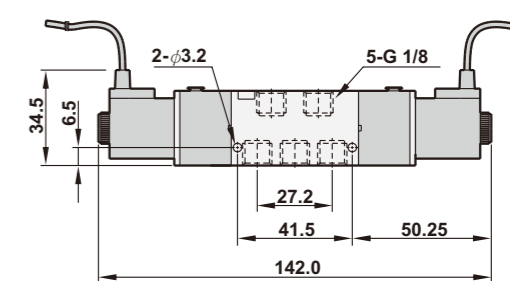
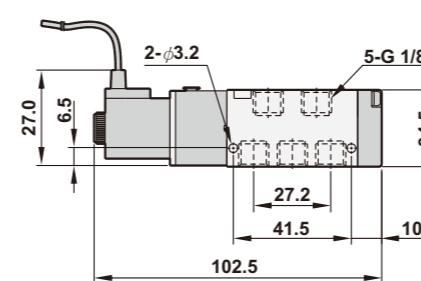
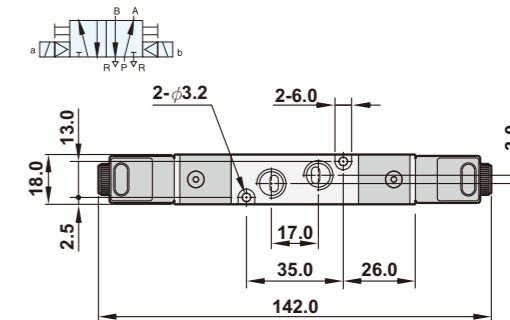


Dimensions

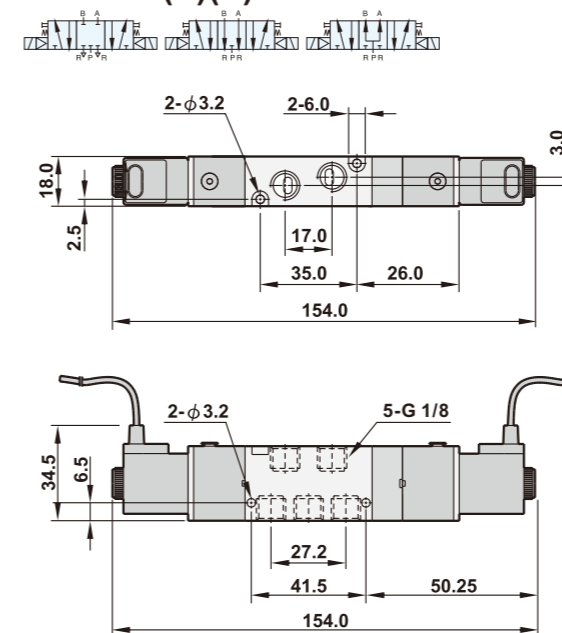
SM520-01-S



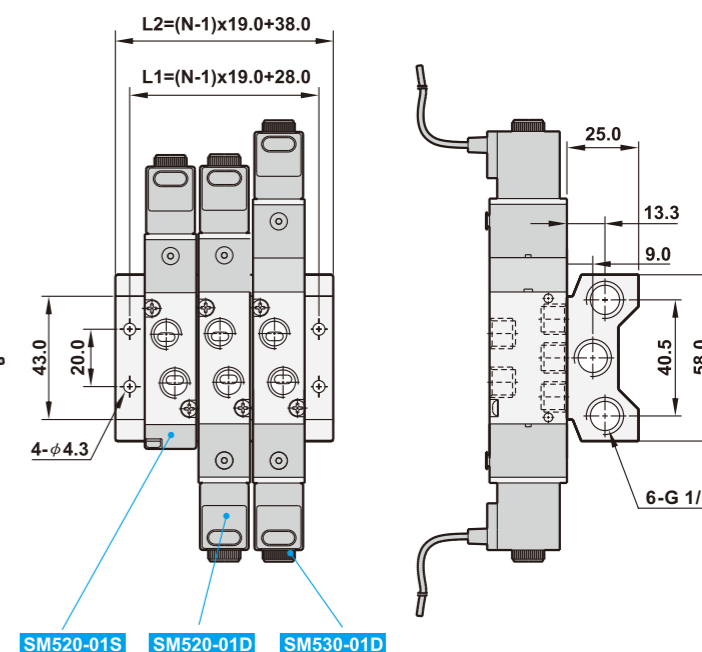
SM520-01-D



SM530(X)(Y)-01-D



MF52S-0103



How to order

SM520	X	01	N	S	2	D	LED
18mm valves series	Acting style	Port size	Thread	Solenoid	Voltage	Coil type	LED
52 5/2 way 53 5/3 way	Blank Standard Standard 5/3 way	01 1/8"	Blank G N NPT	S Single solenoid D Double solenoid	1 110VAC 2 220VAC 9 24VDC	Blank Lead wire D DIN	Blank (W/O LED)
	X Exhaust center Y Pressurized center						

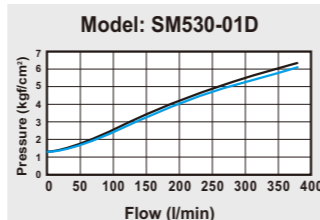
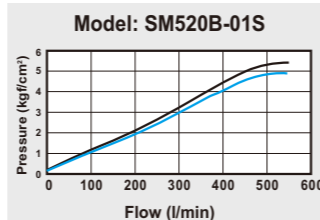
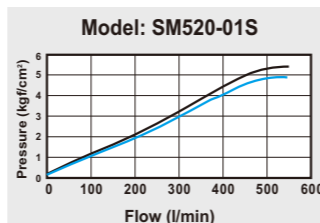
How to order manifold

MF52S	01	N	03
Model number	Port size	Thread	Stations
SM 18mm valves series	01 1/8"	Blank G N NPT	02 2 stations 03 3 stations XX XX stations

Specifications

Model	SM520-01-S	SM520-01-D	SM530-01-D
Port size	1/8"		
Body material	Aluminum alloy		
Fluid	Compressed air		
Acting	Internal pilot		
Sectional area	11mm ²	9mm ²	
Operating pressure range	1.5~8 kgf/cm ²	2~7 kgf/cm ²	
Proof pressure	9.9 kgf/cm ²		
Ambient temperature	-10°C ~ 50°C		
Duty cycle	100% ED		
Coil type	Lead wire (Standard), DIN (Option)		
Protection class	IP65 (DIN 40 050)		
Insulation class	F		
Voltage tolerance	±10%		
Standard voltage	220VAC, 110VAC, 24VDC (The other voltage is optional)		
Net weight	125g	195g	215g

Flow chart



Number of station (N)	2	3	4	5	6	7	8	9	10
L1	47.0	66.0	85.0	104.0	123.0	142.0	161.0	180.0	199.0
L2	57.0	76.0	95.0	114.0	133.0	152.0	171.0	190.0	209.0

Features

- * Medium size, 22mm width solenoid valve, large flow rate.
- * Lockable manual override for easy operation.
- * Anodized aluminum body and strict quality control provide a long durability.
- * Ex-proof coil is available, please refer to page 7-6.



How to order

BM520	X	02	N	S	2	LED	E
22mm valves series	Acting style	Port size	Thread	Solenoid	Voltage	LED	Coil type
52 5/2 way 53 5/3 way	Blank Standard X Exhaust center Y Pressurized center	02 1/4"	Blank G N NPT	S Single solenoid D Double solenoid	1 110VAC 2 220VAC 9 24VDC	Blank (W/O LED)	Blank DIN E Ex-proof

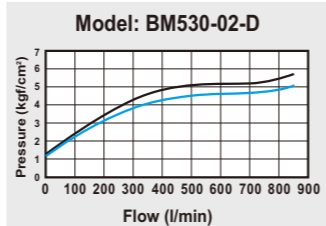
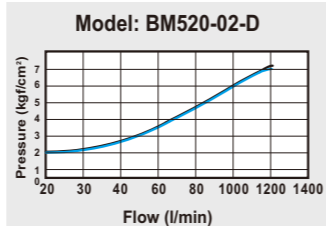
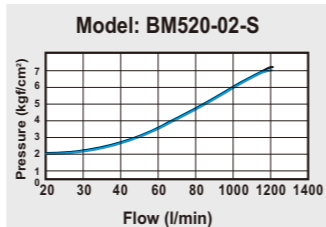
How to order manifold

MFB520	02	N	02
22mm valves series	Port size	Thread	Stations
	1/4"	Blank G N NPT	02 2 stations 03 3 stations XX XX stations

Specifications

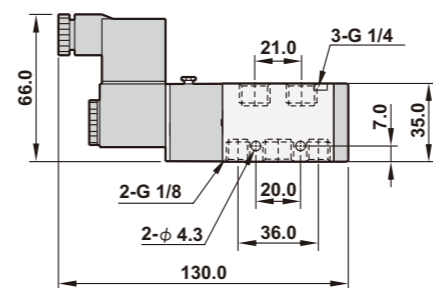
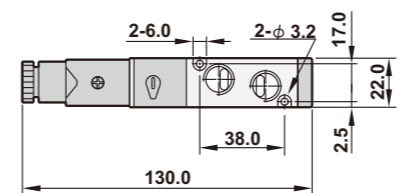
Model	BM520-02-S	BM520-02-D	BM530-02-D
Port size	1/4", 1/8" (Exhaust ports)		
Body material	Aluminum alloy		
Fluid	Compressed air		
Acting	Internal pilot		
Sectional area	18mm ²		14mm ²
Operating pressure range	1.5~8 kgf/cm ²		2~8 kgf/cm ²
Proof pressure	9.9 kgf/cm ²		
Ambient temperature	-10°C ~ 50°C		
Duty cycle	100% ED		
Coil type	DIN (Standard)		
Protection class	IP65 (DIN 40 050)		
Insulation class	F		
Voltage tolerance	±10%		
Standard voltage	220VAC, 110VAC, 24VDC (The other voltage is optional)		
Net weight	235g	335g	445g

Flow chart

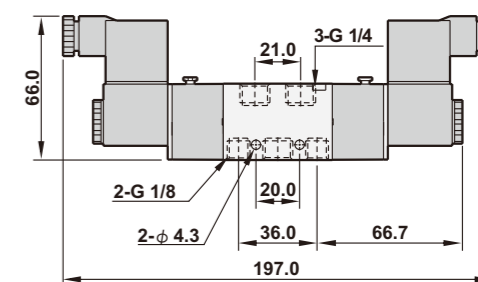
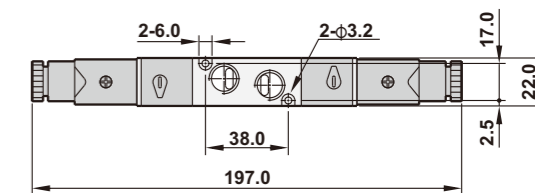


Dimensions

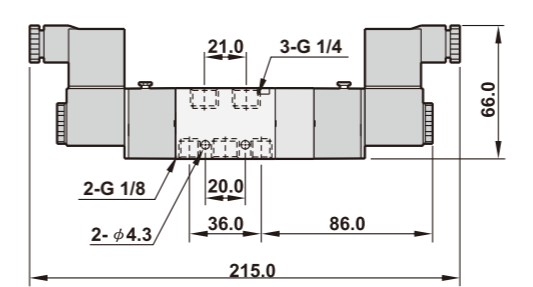
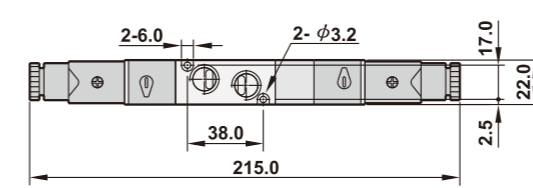
BM520-02-S



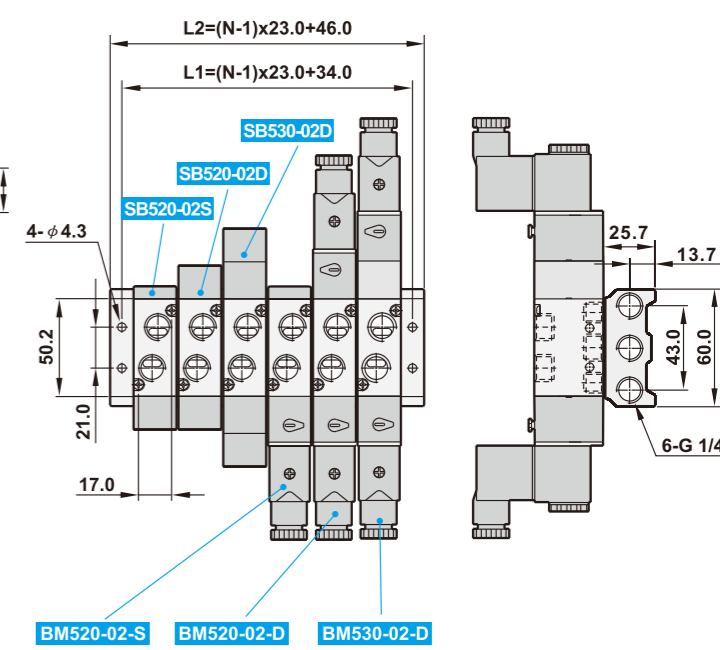
BM520-02-D



BM530(X)(Y)-02-D



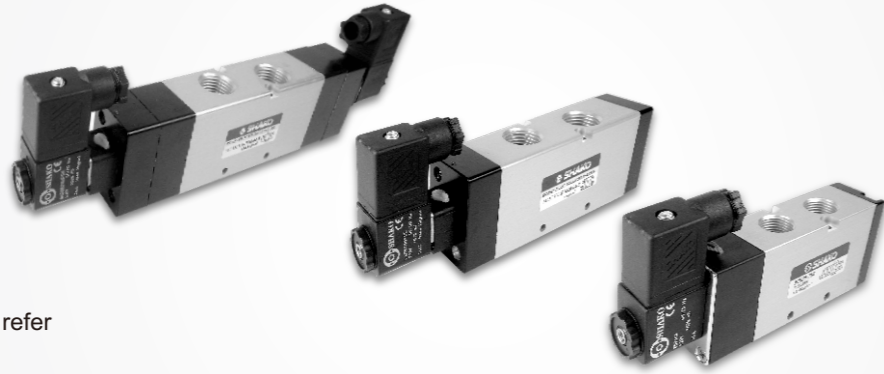
MFB520-0206



Number of station (N)	2	3	4	5	6	7	8	9	10
L1	57.0	80.0	103.0	126.0	149.0	172.0	195.0	218.0	241.0
L2	69.0	92.0	115.0	138.0	161.0	184.0	207.0	230.0	253.0

Features

- * Medium size and large flow rate.
- * Lockable manual override for easy operation.
- * Aluminum body with surface anodizing treatment and strict quality control for long durability.
- * Ex-proof coil is available, please refer to page 7-6.



How to order

PU520	X	02	N	S	2	LED	E		
PU series	Acting style		Port size	Thread	Solenoid		Voltage	LED	Coil type
52 5/2 way	Blank	Standard	02 1/4"	Blank G	S	Single solenoid	1 110VAC	Blank (W/O LED)	Blank DIN
53 5/3 way		5/3 way	03 3/8"	N NPT	D	Double solenoid	2 220VAC		E Ex-proof
	X	Exhaust center	04 1/2"		5/3 way valve is only available for Double solenoid		9 24VDC		
	Y	Pressurized center							

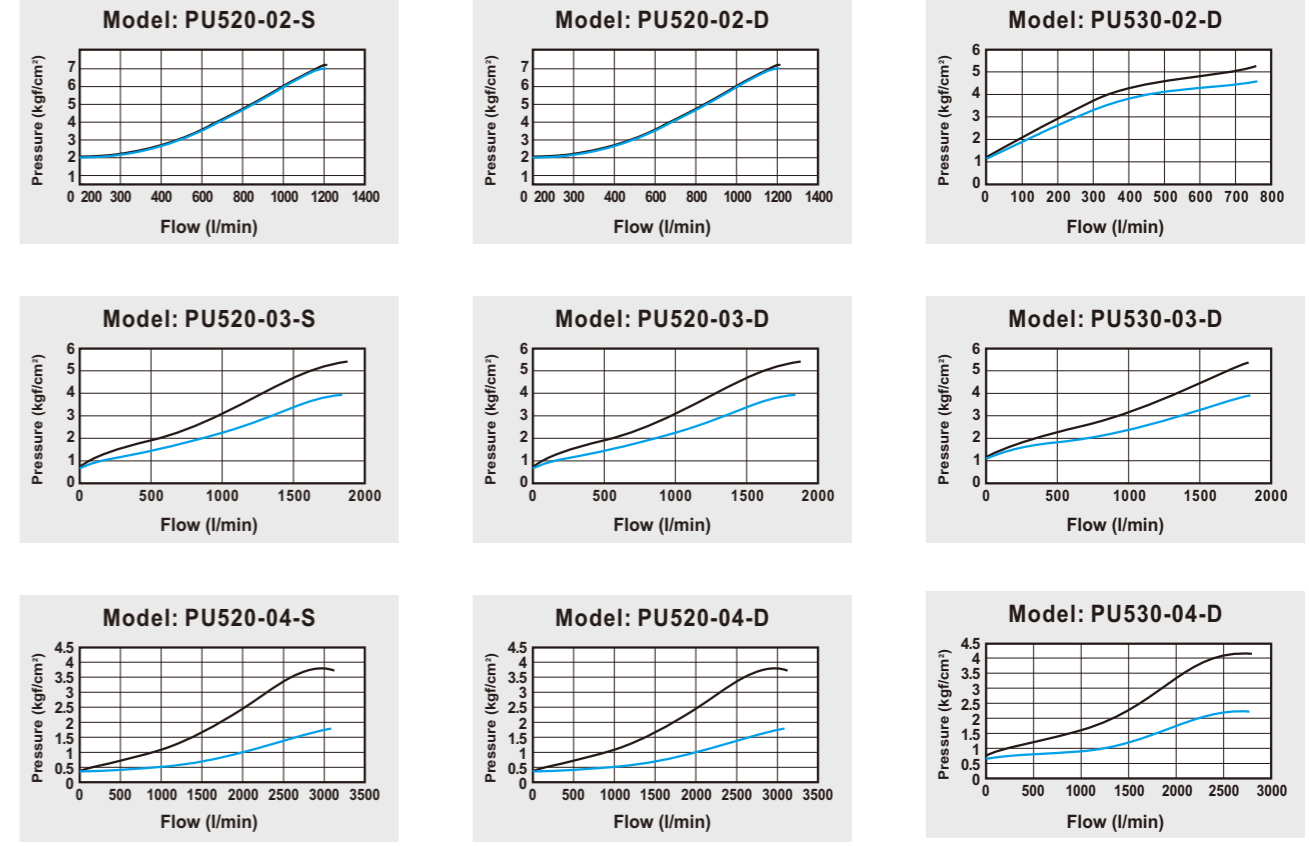
How to order manifold

MF520	02	N	02
PU valves series	Port size	Thread	Stations
	02 1/4"	Blank G	02 2 stations
	03 3/8"	N NPT	03 3 stations
	04 1/2"		XX XX stations

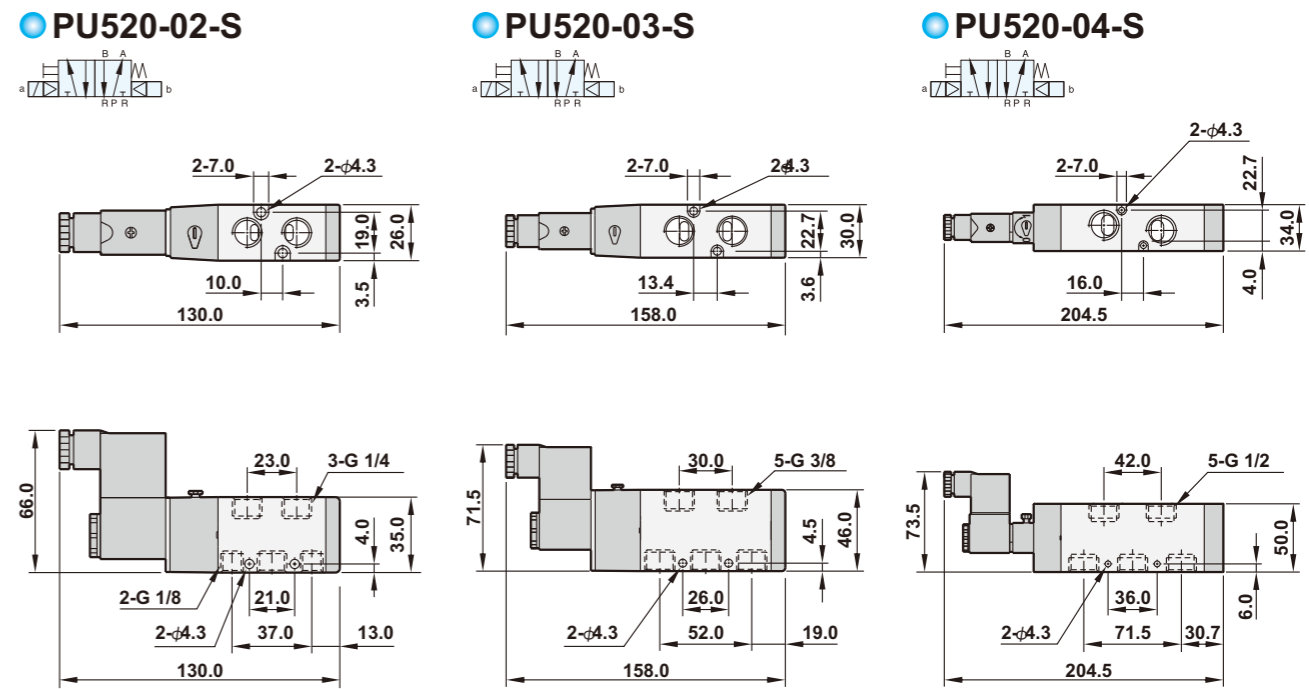
Specifications

Model	PU520-02-S(D)	PU530-02-D	PU520-03-S(D)	PU530-03-D	PU520-04-S(D)	PU530-04-D
Port size	1/4", 1/8" (Exhaust ports)		3/8"		1/2"	
Body material	Aluminum alloy					
Fluid	Compressed air					
Sectional area	18mm ²	14mm ²	35mm ²	32mm ²	70mm ²	54mm ²
Acting	Internal pilot					
Operating pressure range	1.5~8 kgf/cm ²	2~8 kgf/cm ²	1.5~8 kgf/cm ²		2~8 kgf/cm ²	
Proof pressure	9.9 kgf/cm ²					
Ambient temperature	-10°C ~ 60°C					
Duty cycle	100% ED					
Coil type	DIN (Standard)					
Protection class	IP65 (DIN 40 050)					
Insulation class	F					
Voltage tolerance	±10%					
Standard voltage	220VAC, 110VAC, 24VDC (The other voltage is optional)					
Net weight	270g / 335g	475g	430g / 525g	715g	665g / 770g	1045g

Flow chart

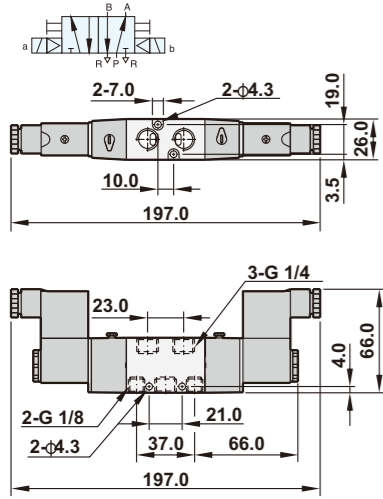


Dimensions

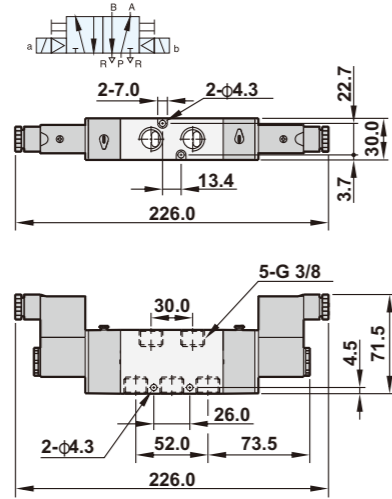


Dimensions

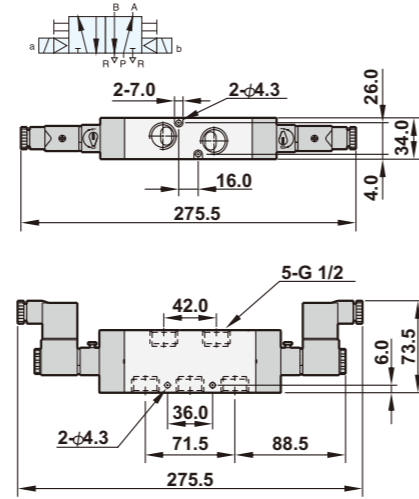
PU520-02-D



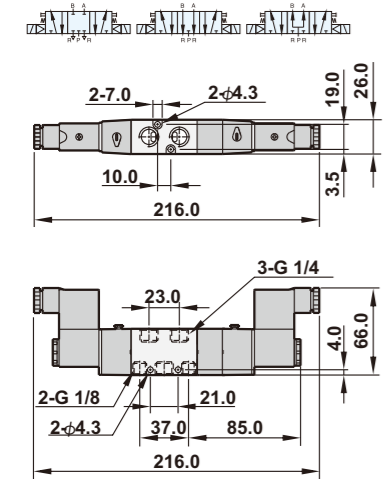
PU520-03-D



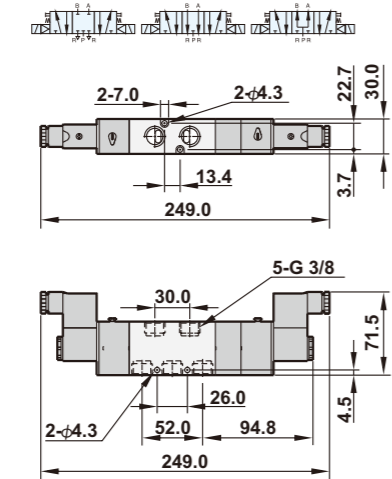
PU520-04-D



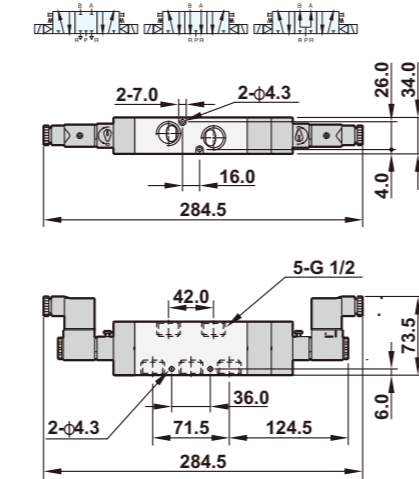
PU530(X)(Y)-02D



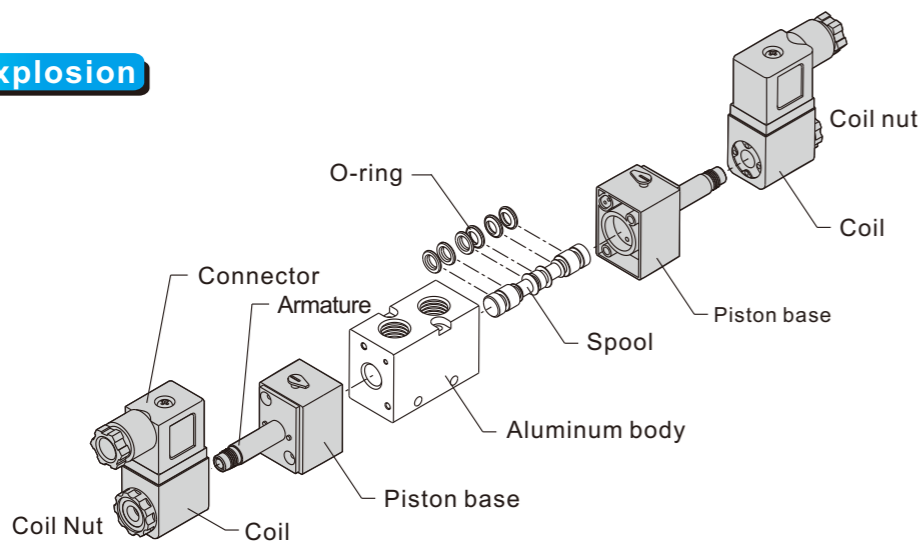
PU530(X)(Y)-03D



PU530(X)(Y)-04D

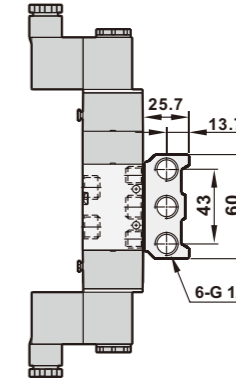
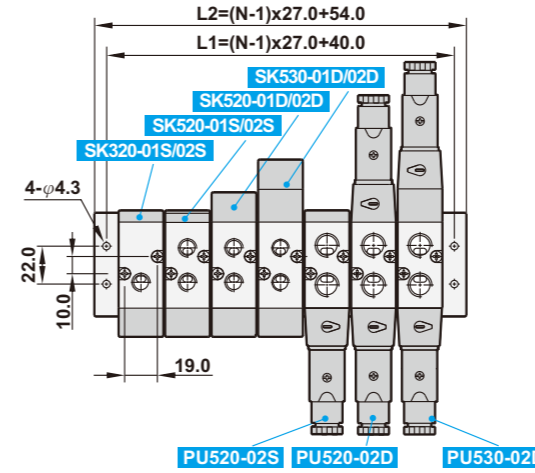


Explosion



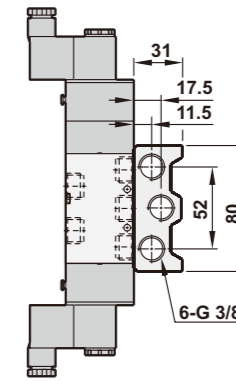
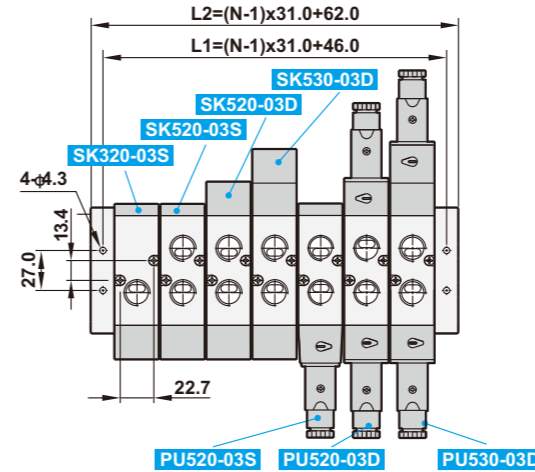
Dimensions

MF520-0206



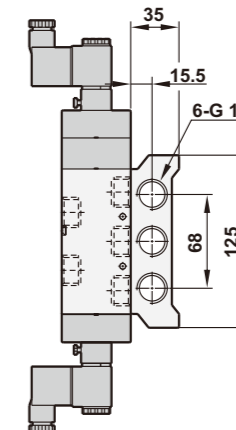
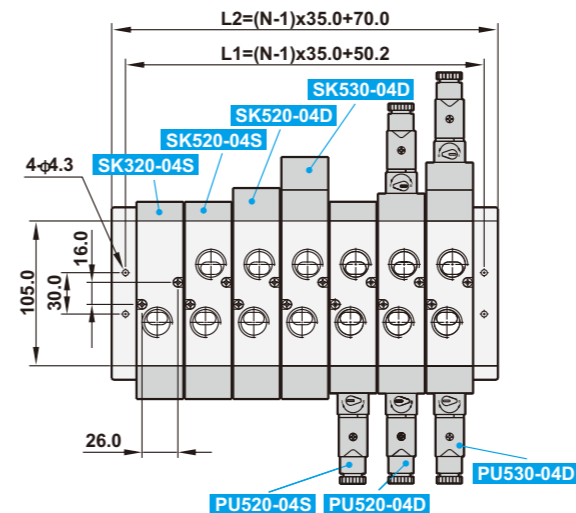
Number of station (N)	L1	L2
2	67.0	81.0
3	94.0	108.0
4	121.0	135.0
5	148.0	162.0
6	175.0	189.0
7	202.0	216.0
8	229.0	243.0
9	256.0	270.0
10	283.0	297.0

MF520-0306



Number of station (N)	L1	L2
2	77.0	93.0
3	108.0	124.0
4	139.0	155.0
5	170.0	186.0
6	201.0	217.0
7	232.0	248.0
8	263.0	279.0
9	294.0	310.0
10	325.0	341.0

MF520-0407



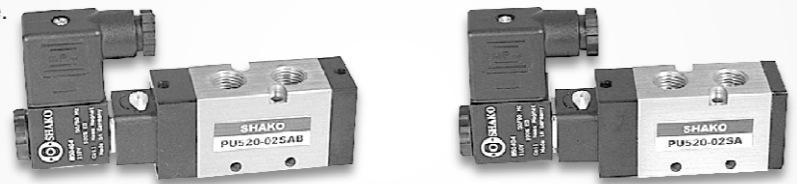
Number of station (N)	L1	L2
2	85.2	105.0
3	120.2	140.0
4	155.2	175.0
5	190.2	210.0
6	225.2	245.0
7	260.2	280.0
8	295.2	315.0
9	330.2	350.0
10	365.2	385.0

SOLENOID VALVES

SOLENOID VALVES

Features

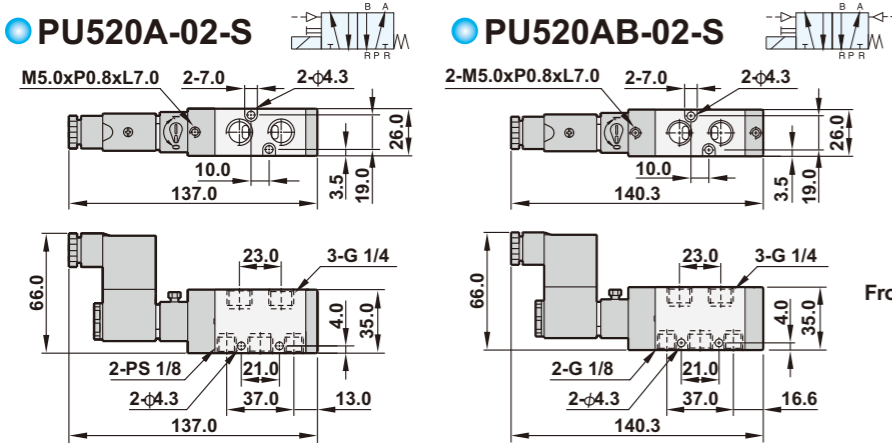
- * Medium size, 26mm width, large flow rate.
- * Lockable manual override for easy operation.
- * Anodized aluminum body and strict quality control provide a long durability.
- * External pilot is available for vacuum equipments.
- * Suitable for manifold part no. MF520-02-XX.
- * Ex-proof coil is available, please refer to page 7-6.



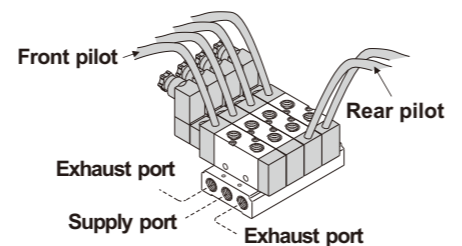
How to order

PU520	A	-	02	N	-	S	2	LED	E
PU 26mm width series	Acting		Port size	Thread		Solenoid	Voltage	LED	Coil type
5/2 way	A Front pilot AB Front & Rear pilot		02 1/4"	Blank G N NPT		S Single solenoid D Double solenoid	1 110VAC 2 220VAC 9 24VDC	Blank (W/O LED)	Blank DIN E Ex-proof

Dimensions



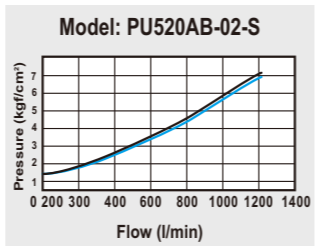
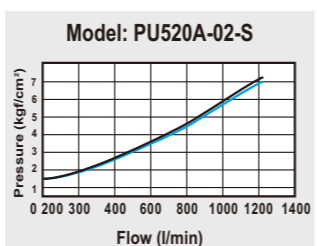
● 5/2 way external pilot solenoid valve
Pilot specifications: 1.Front pilot
2.Rear pilot
Orifice: M5
Manifold part number: MF520-02-XX
Inlet pilot at least 1kg higher than external pilot pressure.



Specifications

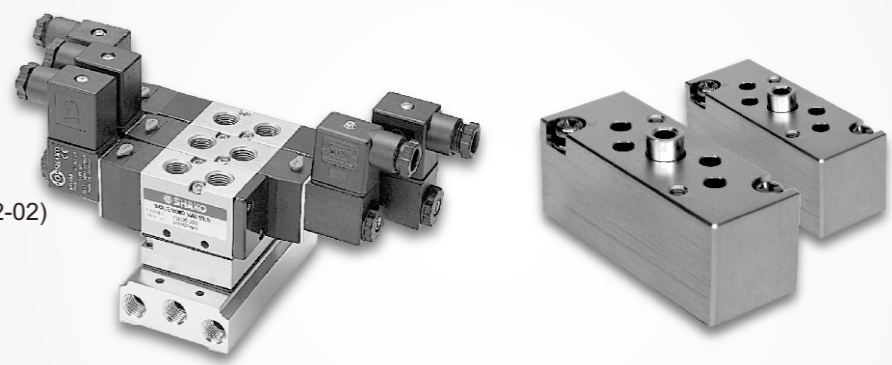
Model	PU520A-02-S	PU520AB-02-S
Port size	1/4", Pilot port. (M5)	
Body material	Aluminum alloy	
Fluid	Compressed air	
Sectional area	18mm ²	
Acting	External pilot (1.5 ~ 8 kgf/cm ²)	
Operating pressure range	0 ~ 8 kgf/cm ²	
Proof pressure	9.9 kgf/cm ²	
Ambient temperature	-10°C ~ 50°C	
Duty cycle	100% ED	
Coil type	DIN (Standard)	
Protection class	IP65 (DIN 40 050)	
Insulation class	F	
Voltage tolerance	±10%	
Standard voltage	220VAC, 110VAC, 24VDC(The other voltage is optional)	
Net weight	240g	260g

Flow chart



Features

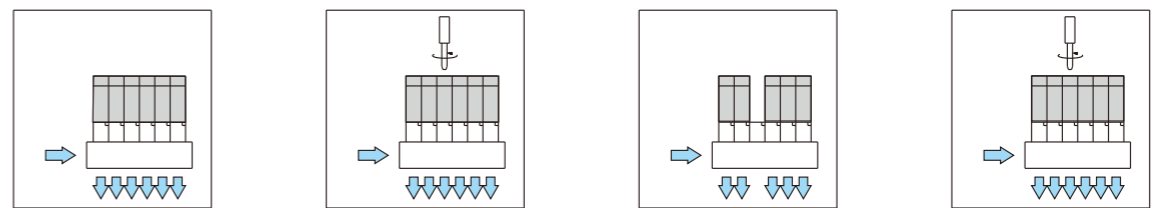
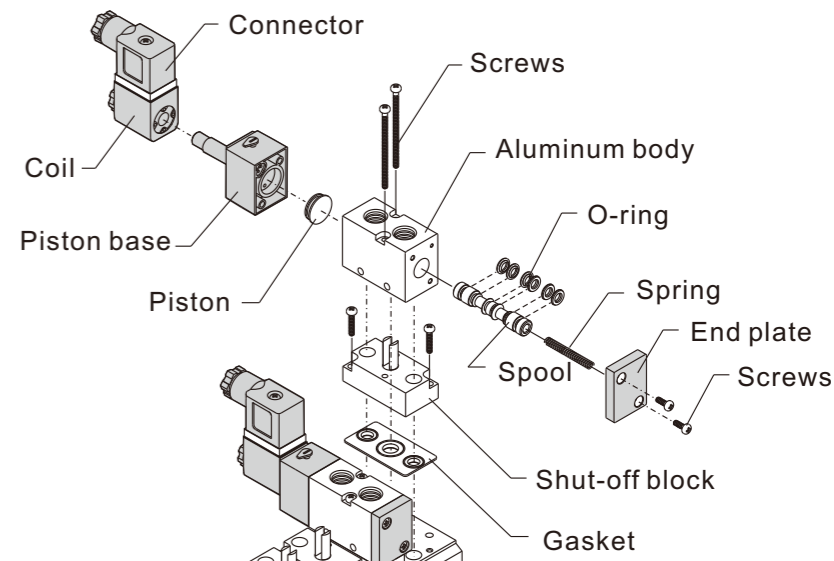
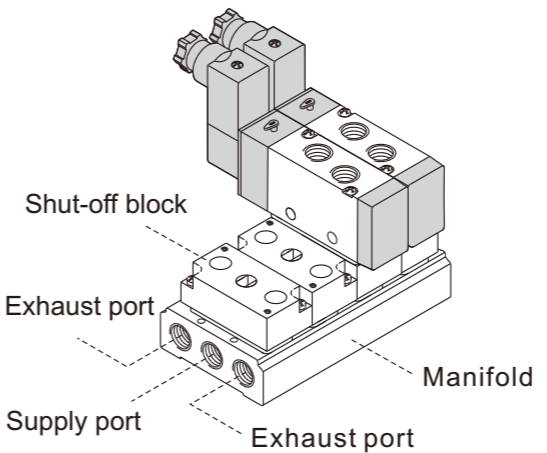
- * The shut-off block allows a valve to be removed without switching off other solenoid valves and air supply.
- * Apply to PU520, PU530(SOB52-02) PU521A(SOB52-M5) series.



How to order

SOB52	-	02
Shut-off block		Port size
		02 1/4"
		M5 M5

Installation



1. Select a solenoid valve needs to be removed.
2. Loosen retaining screws on the valve.
3. Remove the valve and shut-off block automatically cut off air supply and exhaust in the meantime.
4. Replace a new solenoid valve and shut-off block will reopen the ports and re-energize the new valve.

Features

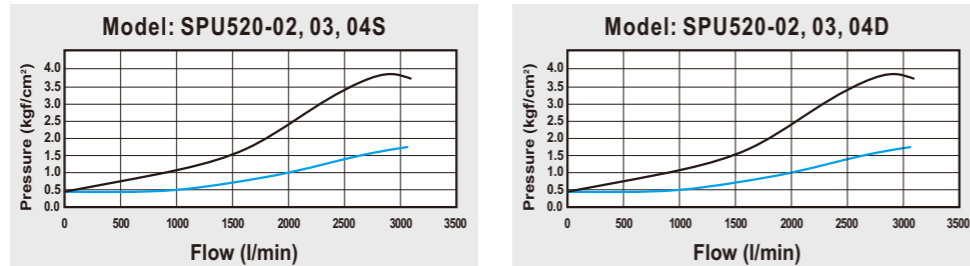
- * Stainless steel SUS316 body for corrosion resistance.
- * Ex-proof coil is available, please refer to page 7-6.



How to order

SPU520	04	N	S	1	LED	E
SUS316 series	Port size	Thread	Solenoid	Voltage	LED	Coil type
5/2 way	02 1/4" 03 3/8" 04 1/2"	Blank G N NPT	S Single solenoid D Double solenoid	1 110VAC 2 220VAC 9 24VDC	Blank (W/O LED)	Blank DIN E Ex-proof

Flow chart

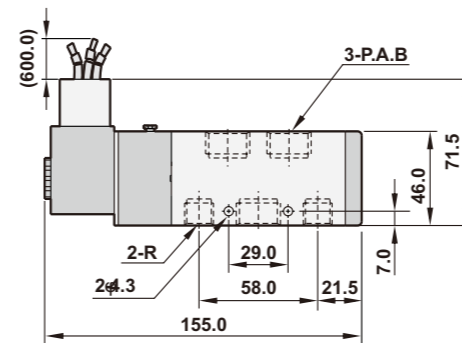
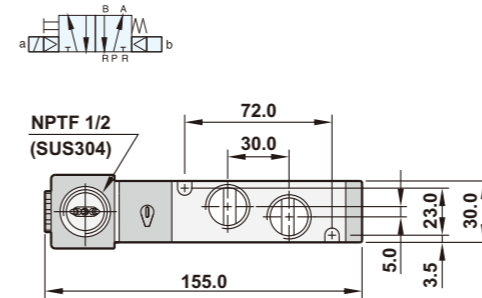


Specifications

Model	SPU520-02, 03, 04S		SPU520-02, 03, 04D	
Port size	1/4", 3/8", 1/2"		1/4", 3/8", 1/2"	
Body material	SUS316			
Sectional area	35mm ²	65mm ²	35mm ²	65mm ²
Fluid	Compressed air			
Acting	Internal pilot			
Operating pressure range	1.5~8 kgf/cm ²			
Proof pressure	9.99 kgf/cm ²			
Ambient temperature	-10°C ~ 60°C			
Insulation class	F			
Temperature class	EExmIIT4			
Duty cycle	100% ED			
Voltage tolerance	±10%			
Protection class	IP65 (EN 60529)			
Standard voltage	220VAC, 110VAC, 24VDC (The other voltage is optional)			
Net weight	1000g		1200g	

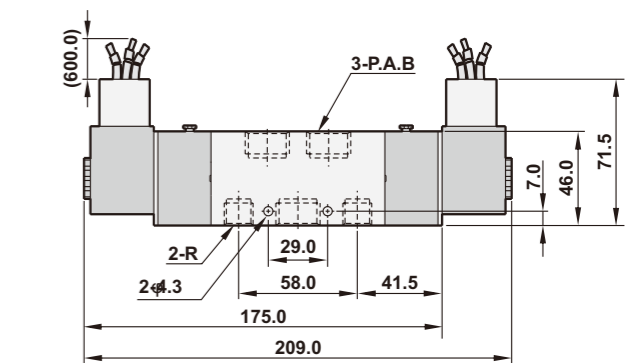
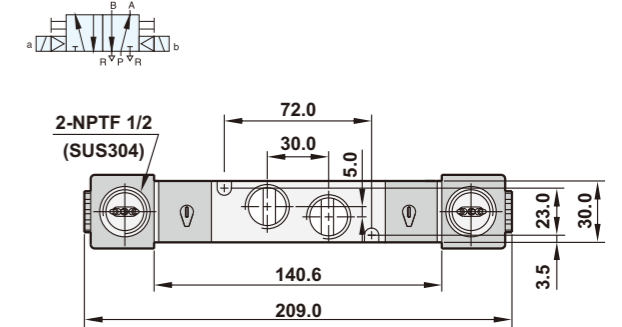
Dimensions

SPU520-02, 03, 04S

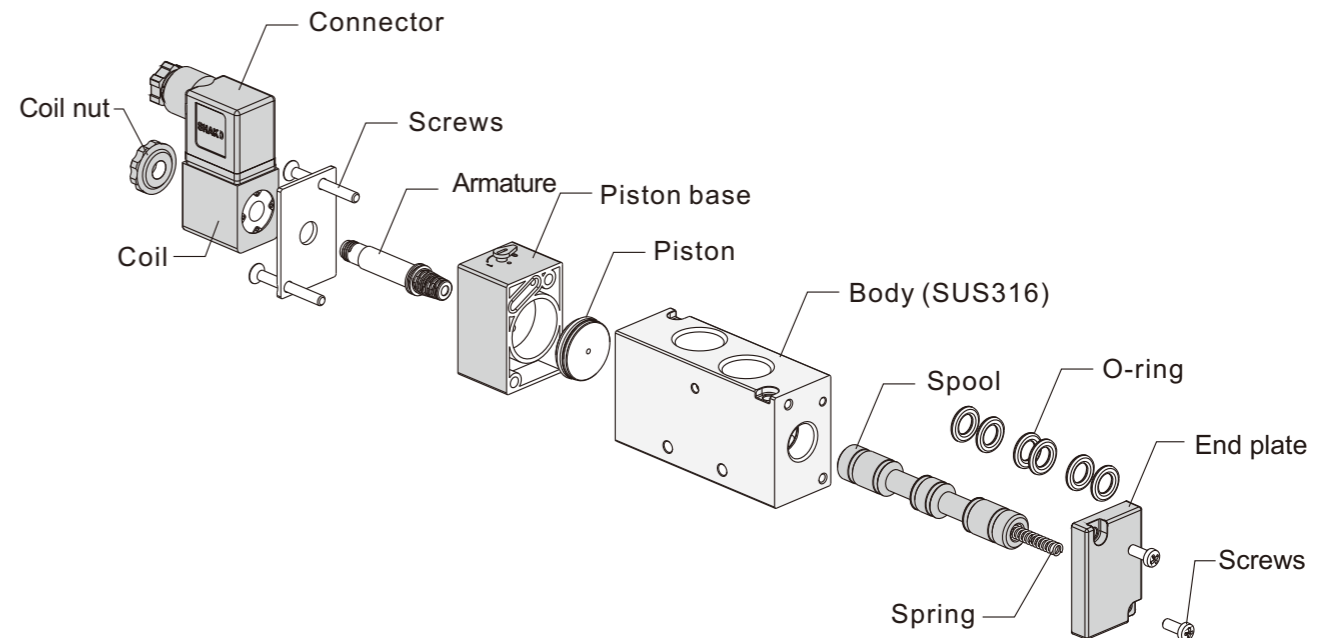


Model	A	B	P	R
SPU520-02	1/4	1/4	1/4	1/4
SPU520-03	3/8	3/8	3/8	3/8
SPU520-04	1/2	1/2	1/2	3/8

SPU520-02, 03, 04D



Explosion

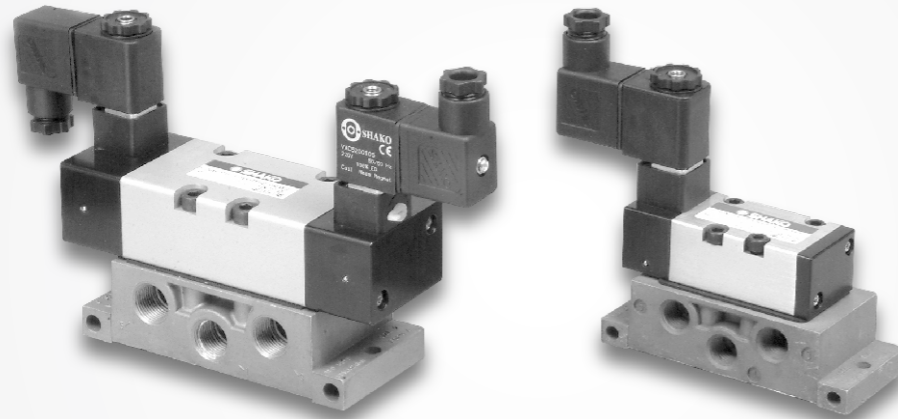


SOLENOID VALVES

SOLENOID VALVES

Features

- * ISO 1, ISO 2 solenoid valve.
- * Aluminum alloy body.
- * With single sub base which is identical to ISO 1 & ISO 2 standard.
- * Ex-proof coil is available, please refer to page 7-6.



How to order

PS520	F	02	N	S	2	LED	E
PS520 series	Sub Base	Port size	Thread	Solenoid	Voltage	LED	Coil type
5/2 way	Blank W/O base F W/I base	02 1/4" ISO 1 03 3/8" ISO 2 04 1/2" ISO 2	Blank G N NPT	S Single solenoid D Double solenoid	1 110VAC 2 220VAC 9 24VDC	Blank (W/O LED)	Blank DIN E Ex-proof

How to order sub base

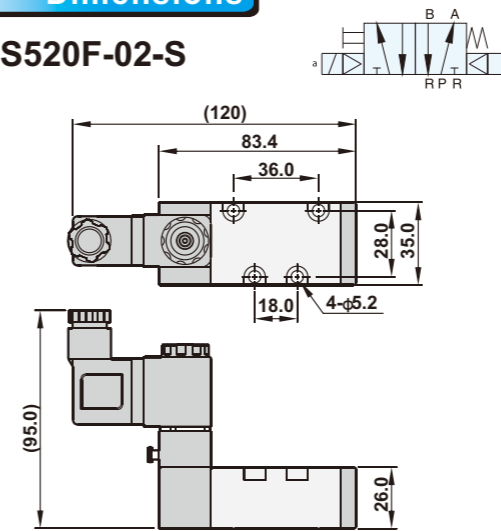
ZESF	02
PS520 series	Port size
	02 1/4" ISO 1 03 3/8" ISO 2 04 1/2" ISO 2

Specifications

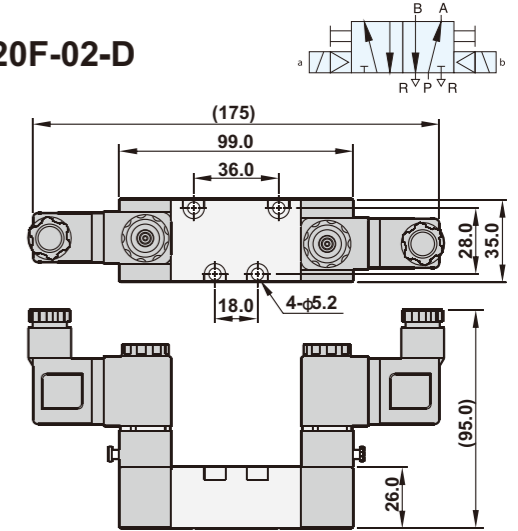
Model	PS520-02-S	PS520-02-D	PS520-03(4)-S	PS520-03(4)-D
Port size	1/4"		3/8" (1/2")	
Body material	Aluminum alloy			
Sectional area	29mm ²		62mm ²	
Fluid	Compressed air			
Acting	Internal pilot			
Operating pressure range	1.5 ~ 8 kgf/cm ²			
Proof pressure	9.99 kgf/cm ²			
Ambient temperature	-10°C ~ 60°C			
Duty cycle	100% ED			
Coil type	DIN			
Protection class	IP65 (DIN 40 050)			
Insulation class	F			
Voltage tolerance	±10%			
Standard voltage	220VAC, 110VAC, 24VDC (The other voltage is optional)			
Net weight (W/I base)	320g (500g)	460g (640g)	700g (980g)	840g (1120g)

Dimensions

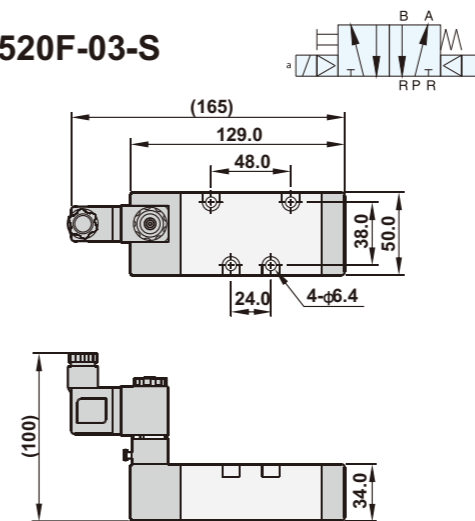
PS520F-02-S



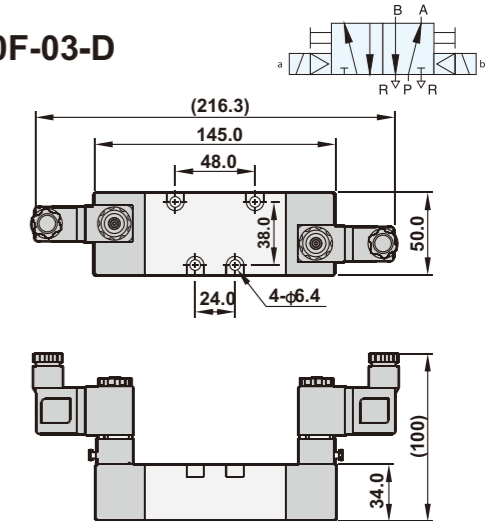
PS520F-02-D



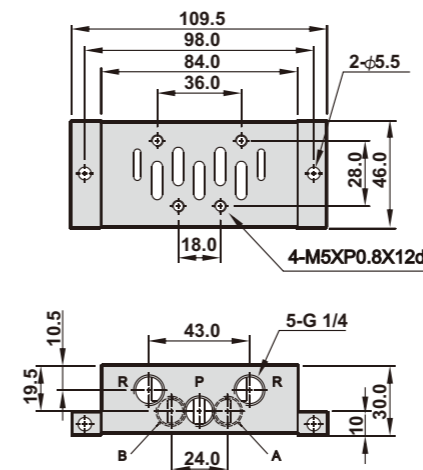
PS520F-03-S



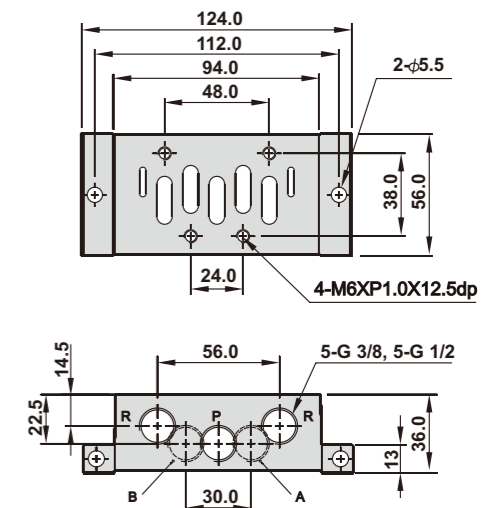
PS520F-03-D



ZESF-02

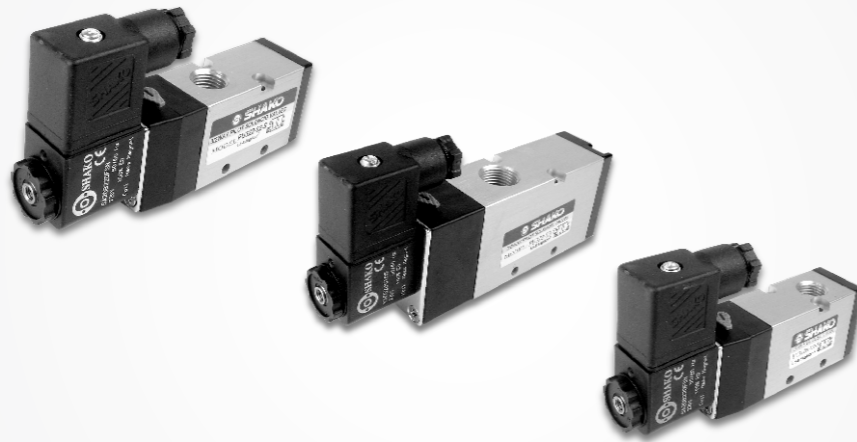


ZESF-03,04



Features

- * Medium size, large flow rate.
- * Lockable manual override for easy operation.
- * Anodized aluminum body and strict quality control provide a long durability.
- * Ex-proof coil is available, please refer to page 7-6.



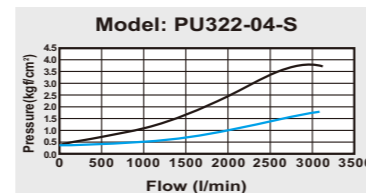
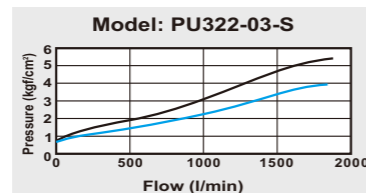
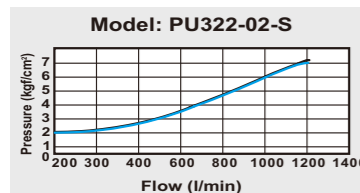
How to order

PU322	N	02	N	S	2	LED	E
PU series	Acting style	Port size	Thread	Solenoid	Voltage	LED	Coil type
3/2 way Pilot acting	Blank Normally closed N Normally open	02 1/4" 03 3/8" 04 1/2"	Blank G N NPT	S Single solenoid	1 110VAC 2 220VAC 9 24VDC	Blank (W/O LED)	Blank DIN E Ex-proof

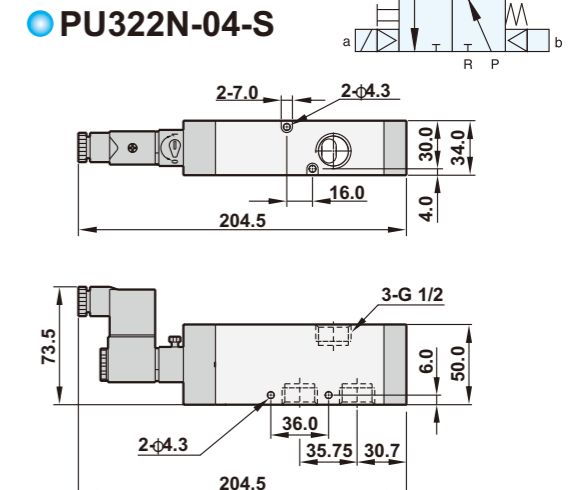
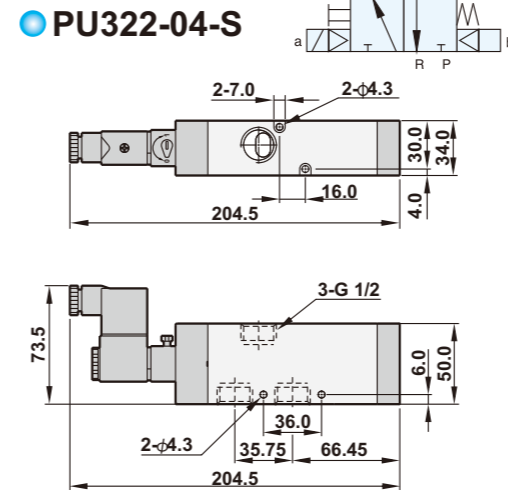
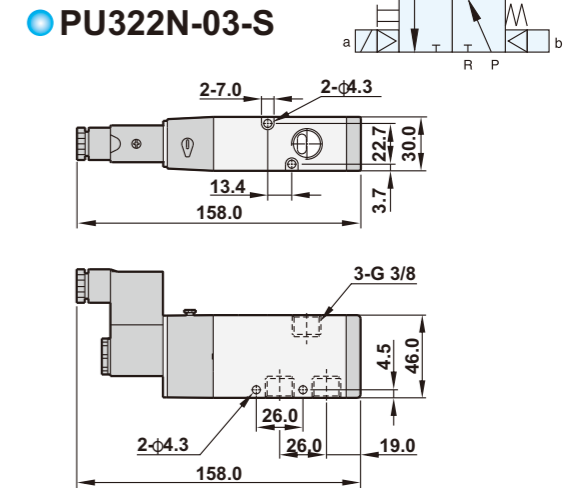
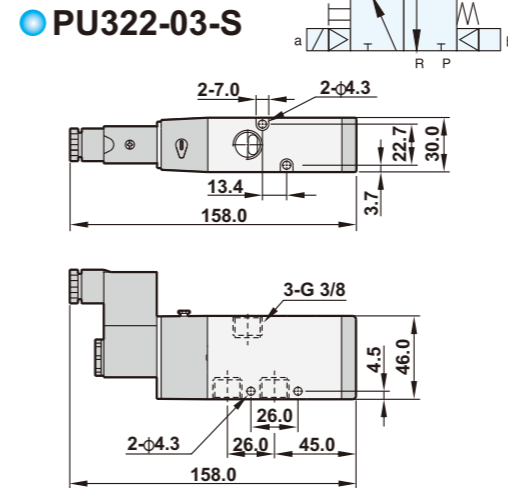
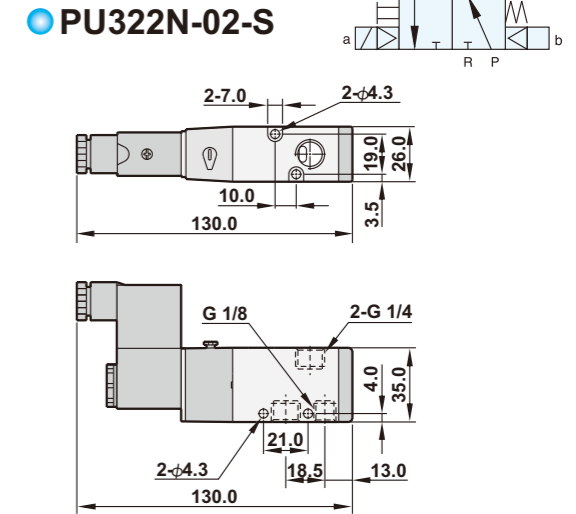
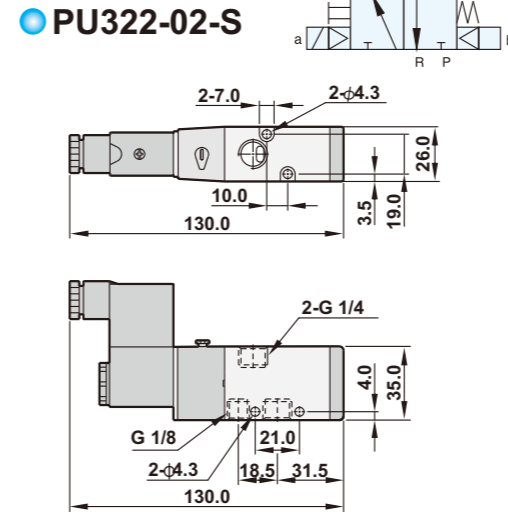
Specifications

Model	PU322(N)-02-S	PU322(N)-03-S	PU322(N)-04-S
Port size	1/4"	3/8"	1/2"
Body material	Aluminum alloy		
Fluid	Compressed air		
Sectional area	18mm ²	35mm ²	70mm ²
Acting	Internal pilot		
Operating pressure range	2 ~ 8 kgf/cm ²		
Proof pressure	9.9 kgf/cm ²		
Ambient temperature	-10°C ~ 50°C		
Duty cycle	100% ED		
Coil type	DIN (Standard)		
Protection class	IP65 (DIN 40 050)		
Insulation class	F		
Voltage tolerance	±10%		
Standard voltage	220VAC, 110VAC, 24VDC (The other voltage is optional)		
Net weight	280g	450g	685g

Flow chart



Dimensions



Features

- * Medium size, 30mm width, large flow rate.
- * Lockable manual override for easy operation.
- * Anodized aluminum body and strict quality control provide a long durability.
- * Ex-proof coil is available, please refer to page 7-6.

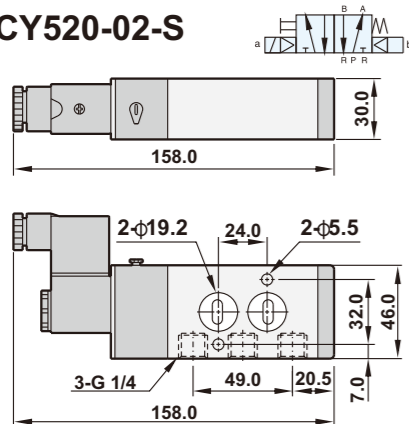


How to order

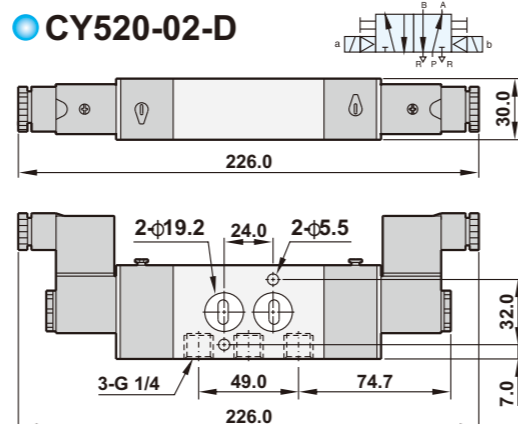
CY520	02	N	S	2	LED	E
Namur valve	Port size	Thread	Solenoid	Voltage	LED	Coil type
5/2 way	02 1/4"	Blank G N NPT	S Single solenoid D Double solenoid	1 110VAC 2 220VAC 9 24VDC	Blank (W/O LED)	Blank DIN E Ex-proof

Dimensions

CY520-02-S



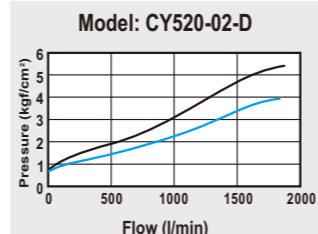
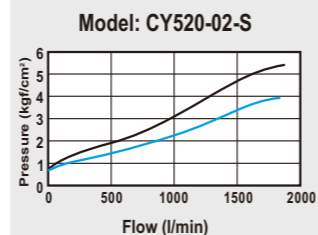
CY520-02-D



Specifications

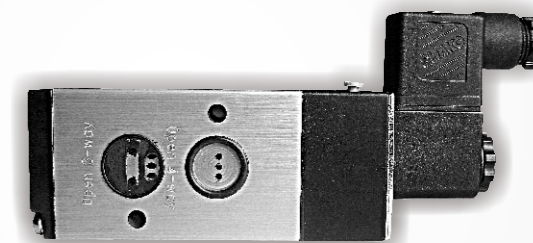
Model	CY520-02-S	CY520-02-D
Port size	1/4"	
Body material	Aluminum alloy	
Fluid	Compressed air	
Sectional area	35mm ²	
Acting	Internal pilot	
Operating pressure range	1.5~8 kgf/cm ²	
Proof pressure	9.99 kgf/cm ²	
Ambient temperature	-10°C ~ 50°C	
Duty cycle	100% ED	
Coil type	DIN (Standard)	
Protection class	IP65 (DIN 40 050)	
Insulation class	F	
Voltage tolerance	±10%	
Standard voltage	220VAC, 110VAC, 24VDC (The other voltage is optional)	
Net weight	305g	390g

Flow chart



Features

- * Big sectional area and flow rate.
- * The switch gasket attached on the valves the way 3/2 way to 2/2 valve switching from.
- * The mounting holes on the valve is identical to ISO standard for easy installation on the single or double acting actuator of ball valve.
- * Lock able manual override for easy operation.
- * Anodized aluminum body and strict quality control provide a long durability.
- * Ex-proof coil is available, please refer to page 7-6.

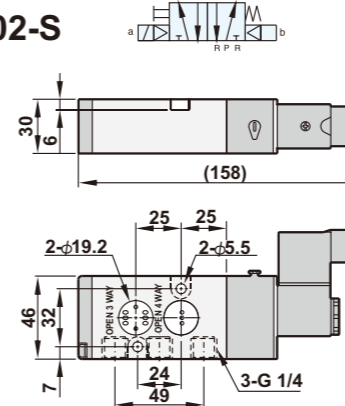


How to order

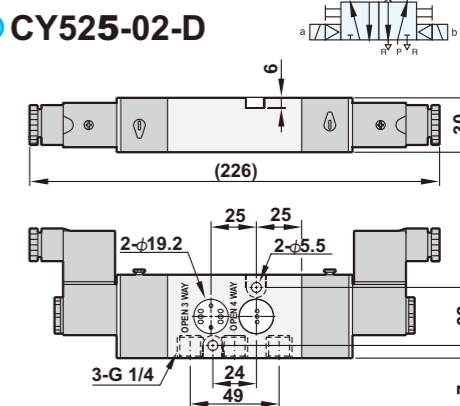
CY525	02	N	S	2	LED	E
Namur valve	Port size	Thread	Solenoid	Voltage	LED	Coil type
5/2 & 3/2 way	02 1/4"	Blank G N NPT	S Single solenoid D Double solenoid	1 110VAC 2 220VAC 9 24VDC	Blank (W/O LED)	Blank DIN E Ex-proof

Dimensions

CY525-02-S



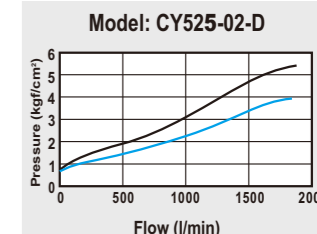
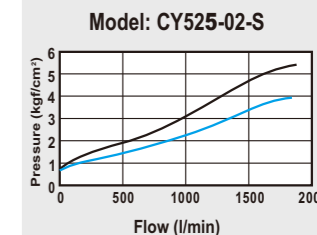
CY525-02-D



Specifications

Model	CY525-02-S	CY525-02-D
Port size	1/4"	
Body material	Aluminum alloy	
Fluid	Compressed air	
Sectional area	35mm ²	
Acting	Internal pilot	
Operating pressure range	1.5~8 kgf/cm ²	
Proof pressure	9.99 kgf/cm ²	
Ambient temperature	-10°C ~ 50°C	
Duty cycle	100% ED	
Coil type	DIN (Standard)	
Protection class	IP65 (DIN 40 050)	
Insulation class	F	
Voltage tolerance	±10%	
Standard voltage	220VAC, 110VAC, 24VDC (The other voltage is optional)	
Net weight	305g	390g

Flow chart



Features

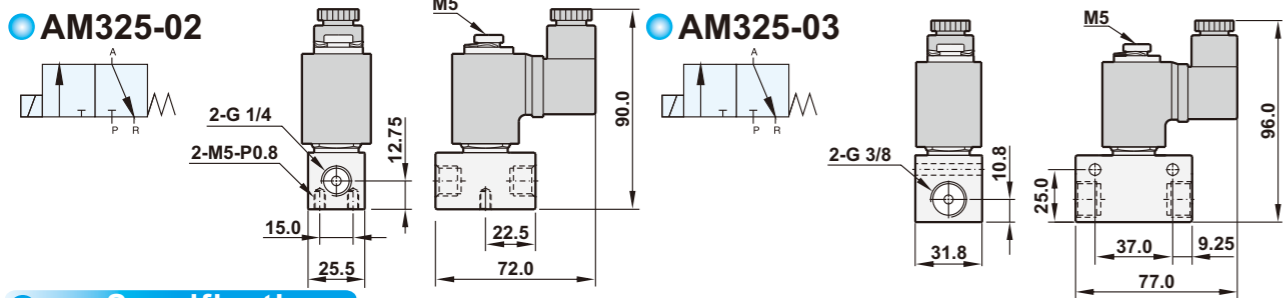
- * 3/2 way solenoid valve, direct acting for quick and sensitive response.
- * Large flow rate.
- * The valve is easy to be installed, which simplifies pipe connection.
- * Ex-proof coil is available, please refer to page 7-6.
- * Coil nut is available, please refer to page 7-4.



How to order

AM325	-	02		N	-	S		2		LED		E
AM valve series		Port size		Thread		Solenoid		Voltage		LED		Coil type
3/2 way		02 1/4"		Blank G		S Single solenoid		1 110VAC		Blank (W/O LED)		Blank DIN
Direct acting		03 3/8"		N NPT				2 220VAC				E Ex-proof
								9 24VDC				

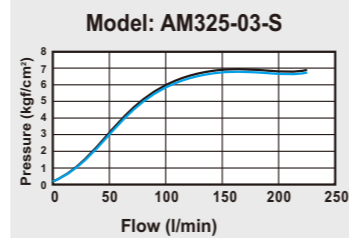
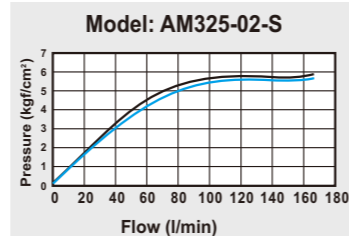
Dimensions



Specifications

Model	AM325-02-S	AM325-03-S
Port size	1/4"	3/8"
Body material	Aluminum alloy	
Fluid	Compressed air	
Sectional area	3.8mm ²	4.2mm ²
Acting	Direct acting with spring return	
Operating pressure range	0 ~ 6 kgf/cm ²	
Proof pressure	7 kgf/cm ²	
Ambient temperature	-10°C ~ 50°C	
Duty cycle	100% ED	
Coil type	DIN	
Protection class	IP65 (DIN 40 050)	
Insulation class	F	
Voltage tolerance	±10%	
Standard voltage	220VAC, 110VAC, 24VDC (The other voltage is optional)	
Net weight	270g	370g

Flow chart



Features

- * 3/2 way solenoid valve.
- The valve is easy to be stacked.
- * To stack the valve, assembly kit is necessary.
- * Assembly kit includes O-ring x 1, bolt x 2, screw x 2, nut x 2.
- * Ex-proof coil is available, please refer to page 7-8.
- * Coil nut is available, please refer to page 7-4.

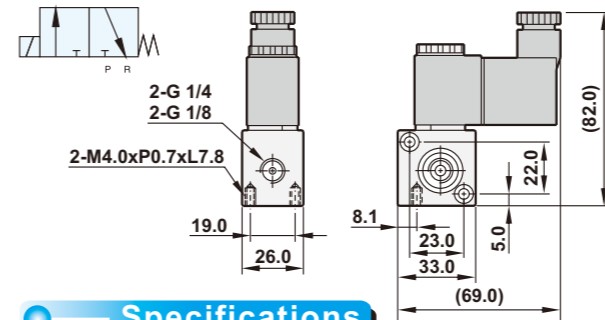


How to order

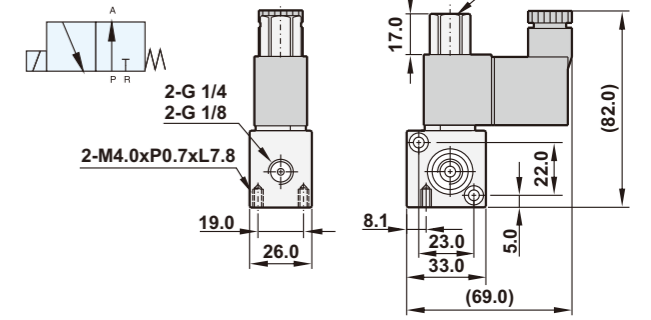
PU320		N		M02		02	-	N	-	S		2		LED		E
PU valve series		Acting style		Number of stack		Port size		Thread		Solenoid		Voltage		LED		Coil type
3/2 way		Blank Normally closed		Blank W/O stack		01 1/8"(Option)		Blank G		S Single solenoid		1 110VAC		Blank (W/O LED)		Blank DIN
		N Normally open		M02 2 valves stack		02 1/4"		N NPT				2 220VAC				E Ex-proof
				M03 3 valves stack								9 24VDC				
				Mxx xx valves stack												

Dimensions

PU320-01-S/02-S



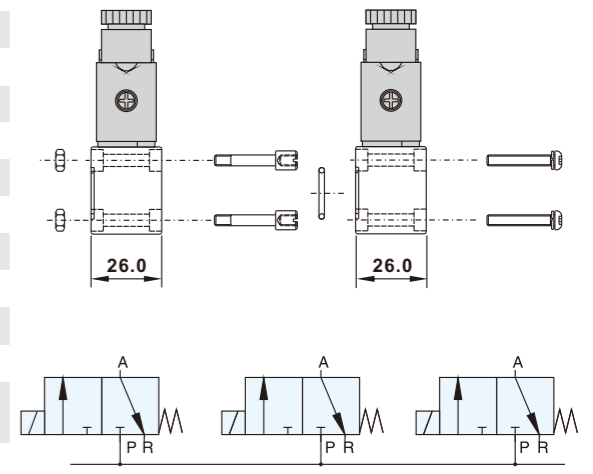
PU320N-01-S/02-S



Specifications

Model	PU320(N)-01-S	PU320(N)-02-S
Port size	1/8"	1/4"
Body material	Aluminum alloy	
Sectional area	1.5mm ²	
Fluid	Compressed air	
Acting	Directing acting with spring return	
Operating pressure range	0 ~ 8 kgf/cm ²	
Proof pressure	9.9 kgf/cm ²	
Ambient temperature	-10°C ~ 60°C	
Duty cycle	100% ED	
Coil type	DIN	
Protection class	IP65 (DIN 40 050)	
Insulation class	F	
Voltage tolerance	±10%	
Standard voltage	220VAC, 110VAC, 24VDC (The other voltage is optional)	
Net weight	180g	160g

How to stack valve



SHAKO 5/2 WAY PILOT PNEUMATIC VALVE

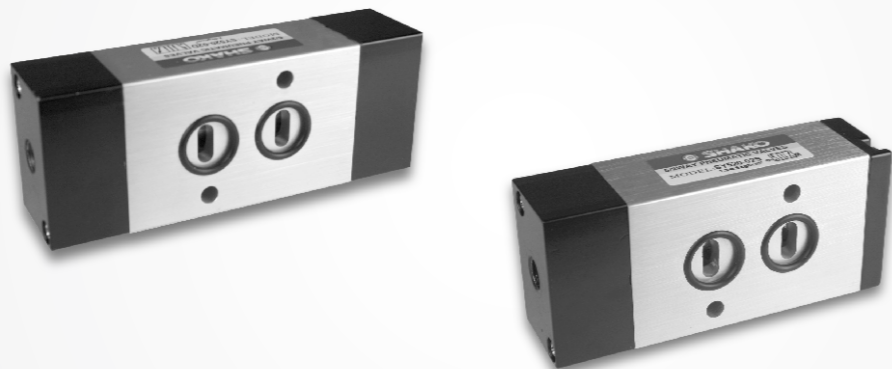
Namur valve

SHAKO 5/2, 5/3 WAY PNEUMATIC VALVE

18mm width

Features

- * Suitable for flammable working environments.
- * The valve is actuated by air for accurate response.



How to order

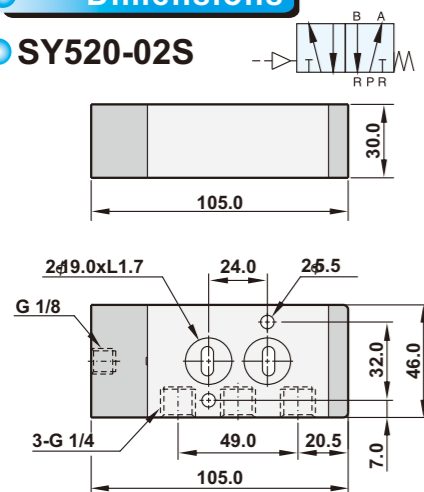
SY520	-	02	N	S
SY pneumatic valves series	Port size	Thread	Pneumatic control	
5/2 way	02 1/4"	Blank G N NPT	S Single pneumatic D Double pneumatic	

Specifications

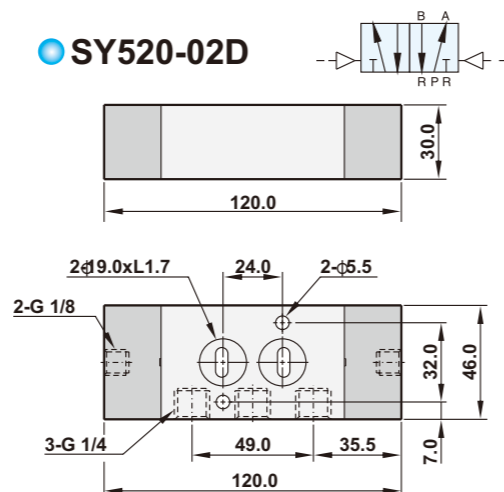
Model	SY520-02S	SY520-02D
Port size	1/4"	
Body material	Aluminum alloy	
Fluid	Compressed air	
Sectional area	35mm ²	
Acting	External pilot (2 ~ 8 kgf/cm ²)	
Operating pressure range	0 ~ 8 kgf/cm ²	
Proof pressure	9.99 kgf/cm ²	
Ambient temperature	-10°C ~ 80°C	
Net weight	305g	390g

Dimensions

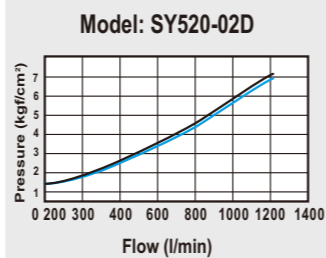
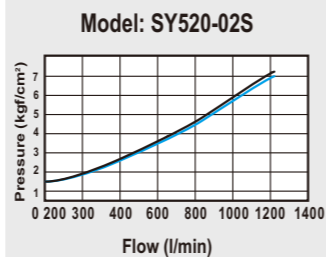
SY520-02S



SY520-02D



Flow chart



Features

- * Suitable for flammable working environments.
- * The valve is actuated by air for accurate response.



How to order

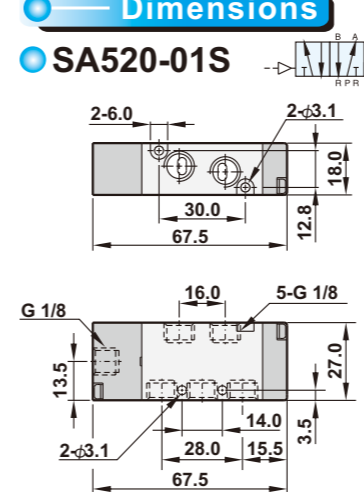
SA520	X	-	01	N	S
SA pneumatic valves series	Acting style	Port size	Thread	Pneumatic control	
52 5/2 way	Blank Standard 5/3 way	01 1/8"	Blank G N NPT	S Single pneumatic D Double pneumatic	
53 5/3 way valve is only available for double pneumatic control	X Exhaust center Y Pressurized center				

Specifications

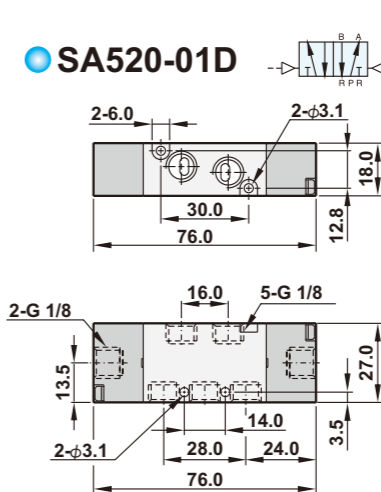
Model	SA520-01S	SA520-01D	SA530-01D
Port size	1/8"		
Body material	Aluminum alloy		
Sectional area	11mm ²	9mm ²	
Fluid	Compressed air		
Acting	External pilot (1.5 ~ 7 kgf/cm ²)		
Operating pressure range	0 ~ 8 kgf/cm ²		
Proof pressure	9.99 kgf/cm ²		
Ambient temperature	-10°C ~ 80°C		
Net weight	70g	75g	110g

Dimensions

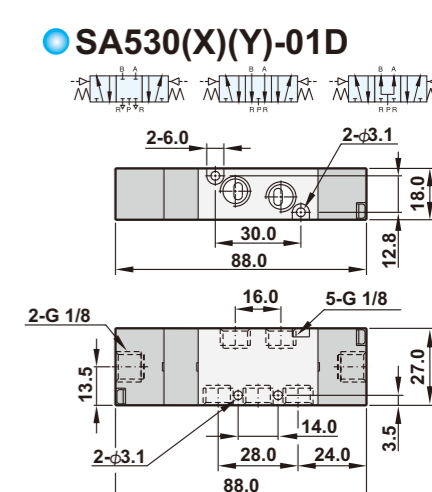
SA520-01S



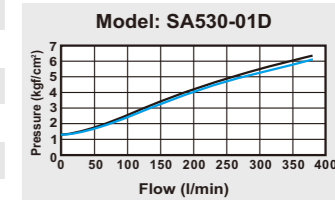
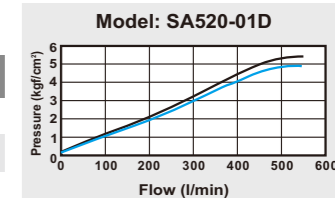
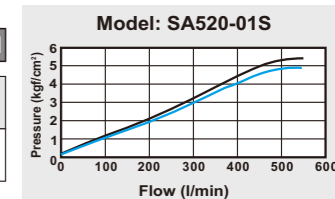
SA520-01D



SA530(X)(Y)-01D



Flow chart



SHAKO 5/2, 5/3 WAY PNEUMATIC VALVE

22mm width

SHAKO 3/2 WAY PNEUMATIC VALVE

26/30/34mm width

SOLENOID VALVES

SOLENOID VALVES

Features

- * Suitable for flammable working environments.
- * The valve is actuated by air for accurate response.
- * The mounting position is identical to the counter product from SMC.



How to order

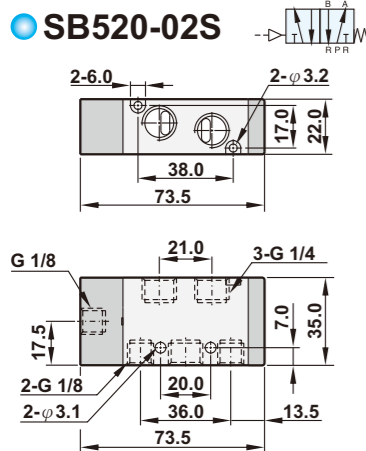
SB520	X	02	N	S
SA pneumatic valves series	Acting style	Port size	Thread	Pneumatic control
52 5/2 way	Blank Standard X Exhaust center Y Pressurized center	02 1/4"	Blank G N NPT	S Single pneumatic D Double pneumatic
53 5/3 way valve is only available for double pneumatic control				

Specifications

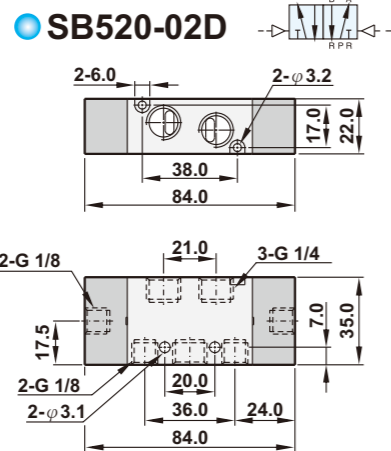
Model	SB520-02S	SB520-02D	SB530-02D
Port size	1/4"		
Body material	Aluminum alloy		
Sectional area	18mm ²		14mm ²
Fluid	Compressed air		
Acting	External pilot (1.5 ~ 7 kgf/cm ²)		
Operating pressure range	0 ~ 8 kgf/cm ²		0 ~ 7 kgf/cm ²
Proof pressure	9.9 kgf/cm ²		
Ambient temperature	-10°C ~ 80°C		
Net weight	135g	145g	220g

Dimensions

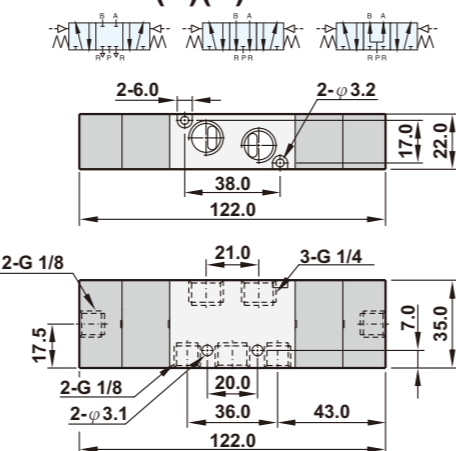
SB520-02S



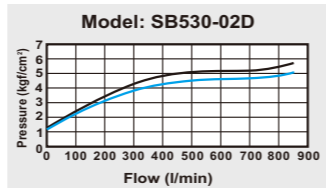
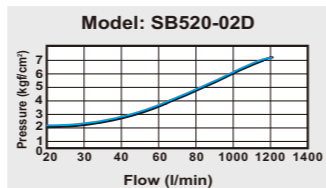
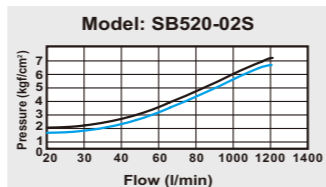
SB520-02D



SB530(X)(Y)-02D



Flow chart



Features

- * Suitable for flammable working environments.
- * The valve is actuated by air for accurate response.



How to order

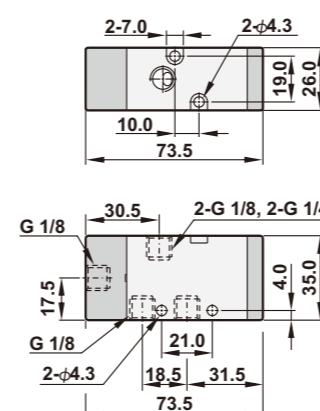
SK320	02	N	S
SK pneumatic valves series	Port size	Thread	Pneumatic control
32 3/2 way (N.C.)	01 1/8" 02 1/4" 03 3/8" 04 1/2"	Blank G N NPT	S Single pneumatic

Specifications

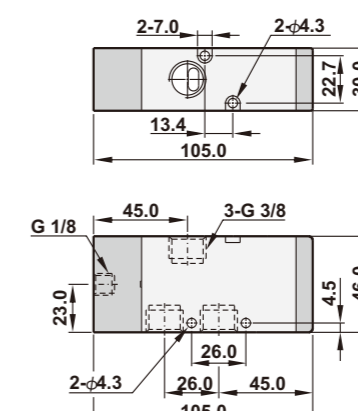
Model	SK320-01S	SK320-02S	SK320-03S	SK320-04S
Port size	1/8"	1/4"	3/8"	1/2"
Body material	Aluminum alloy			
Sectional area	14mm ²	18mm ²	35mm ²	70mm ²
Fluid	Compressed air			
Acting	External pilot (1.5 ~ 7 kgf/cm ²)			
Operating pressure range	0 ~ 8 kgf/cm ²		0 ~ 8 kgf/cm ²	
Proof pressure	9.9 kgf/cm ²			
Ambient temperature	-10°C ~ 80°C			
Net weight	180g	375g	595g	

Dimensions

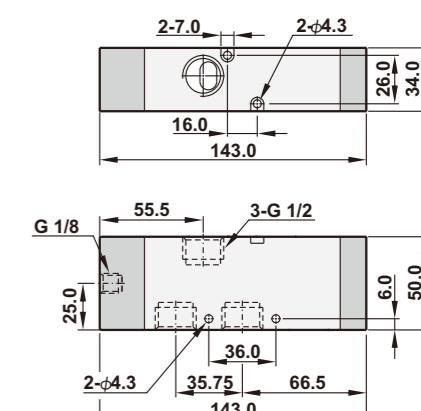
SK320-01S/02S



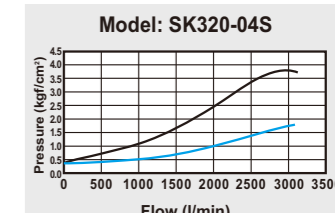
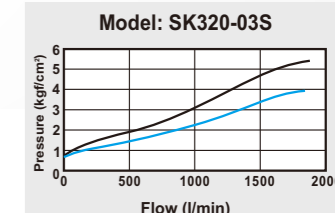
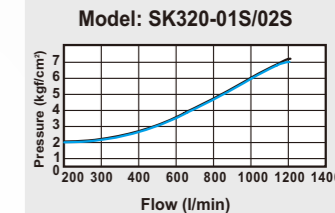
SK320-03S



SK320-04S



Flow chart



SOLENOID VALVES
SOLENOID VALVES

Features

- * Suitable for flammable working environments.
- * The valve is actuated by air for accurate response.



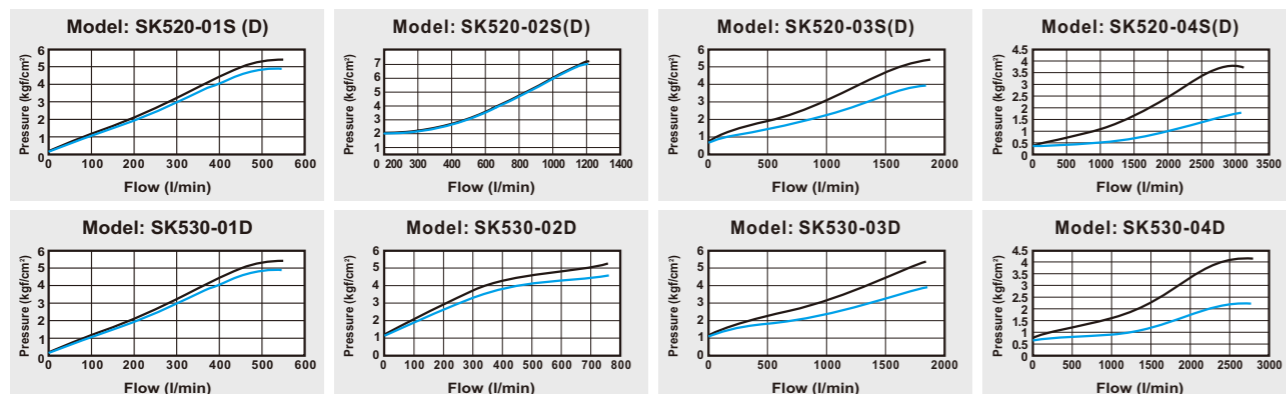
How to order

SK520	X	01	N	S
SA pneumatic valves series	Acting style	Port size	Thread	Pneumatic control
52 5/2 way	Blank Standard X Exhaust center Y Pressurized center	01 1/8" 02 1/4" 03 3/8" 04 1/2"	Blank G N NPT	S Single pneumatic D Double pneumatic

Specifications

Model	SK520-01S(D)	SK530-01D	SK520-02S(D)	SK530-02D	SK520-03S(D)	SK530-03D	SK520-04S(D)	SK530-04D
Port size	1/8"		1/4"		3/8"		1/2"	
Body material	Aluminum alloy							
Fluid	Compressed air							
Sectional area	18mm ²	14mm ²	18mm ²	14mm ²	35mm ²	32mm ²	70mm ²	54mm ²
Acting	External pilot (1.5 ~ 7 kgf/cm ²)							
Operating pressure range	0~8kgf/cm ²		0~8kgf/cm ²		0~8kgf/cm ²		0~7kgf/cm ²	
Proof pressure	9.9 kgf/cm ²							
Ambient temperature	-10°C ~ 80°C							
Net weight	170g/180g	310g	170g/180g	310g	370g/400g	585g	565g/605g	865g

Flow chart



Dimensions

