

TAPPING

# Master Spindle

## **MM** (미터나사)

### ■ TOUCH-TYPE (터치)

MS(T) ..... Touch Type  
MSS(T) ..... Touch Type

### ■ COLLET-TYPE (콜렛)

MS(C) ..... Collet Type  
MSS(C) ..... Collet Type

## **INCH** (인치나사)

### ■ TOUCH-TYPE (터치)

US(T) ..... Touch Type  
USS(T) ..... Touch Type

### ■ COLLET-TYPE (콜렛)

US(C) ..... Collet Type  
USS(C) ..... Collet Type

Standard (표준품)

■ **MS(T)**

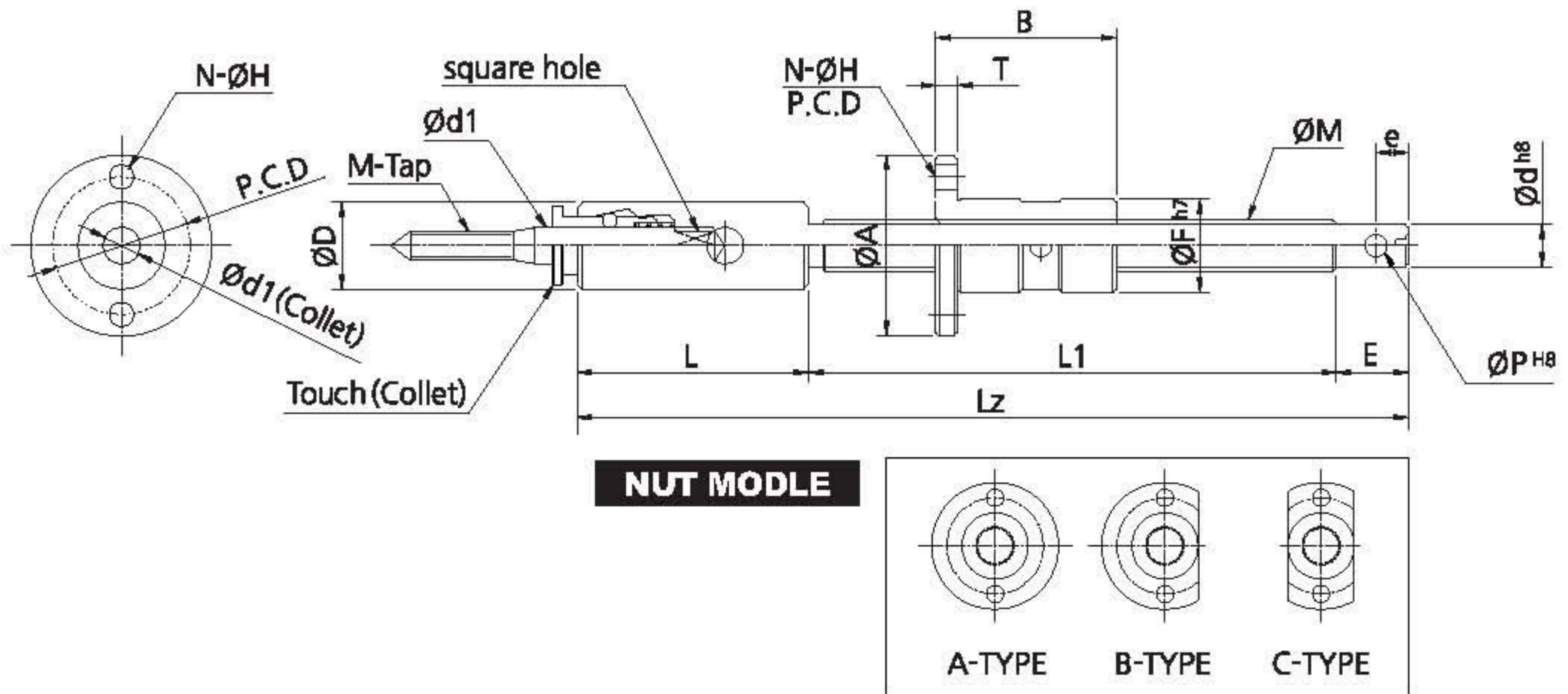
**Lz-115L**

**Lz-125L**

- MS(T)-※-D10
- MS(T)-※-D11



■ MS(T)-Type



■ MS(T)-※※-D10-115Lz

■ MS(T)-※※-D10-125Lz

〈주문표시〉 EX) MS(T)-M2.0X0.4P-D10-115Lz =

(단위 : mm)

TAP	SIZE	∅D1 (10)	L	L1 (115)	L1 (125)	Lz (115)	Lz (125)	∅A	∅F	T	B	PCD	N	∅H	E	e	∅d	∅P1	∅M	collet ∅d
M1.4×0.3P		10	32	73	83	115	125	22.5	10.5	3	33	16.5	2	3.5	10	4.5	5	2	M6×0.3P	3
M1.7×0.35P		10	32	73	83	115	125	22.5	10.5	3	33	16.5	2	3.5	10	4.5	5	2	M6×0.35P	3
M2.0×0.4P		10	32	73	83	115	125	22.5	10.5	3	33	16.5	2	3.5	10	4.5	5	2	M7×0.4P	3
M2.6×0.45P		10	32	73	83	115	125	22.5	10.5	3	33	16.5	2	3.5	10	4.5	5	2	M7×0.45P	3
M3.0×0.5P		10	32	73	83	115	125	22.5	10.5	3	33	16.5	2	3.5	10	4.5	5	2	M7×0.5P	4
M4.0×0.7P		11	32	73	83	115	125	22.5	10.5	3	33	16.5	2	3.5	10	4.5	5	2	M7×0.7P	5

■ MS(T)-※※-D11-115Lz

■ MS(T)-※※-D11-125Lz

〈주문표시〉 EX) MS(T)-M2.0X0.4P-D11-115Lz =

(단위 : mm)

TAP	SIZE	∅D1 (11)	L	L1 (115)	L1 (125)	Lz (115)	Lz (125)	∅A	∅F	T	B	PCD	N	∅H	E	e	∅d	∅P	∅M	collet ∅d
M1.4×0.3P		11.3	32	73	83	115	125	25	13	3	33	19	2	3.5	10	4.5	5	2	M6×0.3P	3
M1.7×0.35P		11.3	32	73	83	115	125	25	13	3	33	19	2	3.5	10	4.5	5	2	M6×0.35P	3
M2.0×0.4P		11.3	32	73	83	115	125	25	13	3	33	19	2	3.5	10	4.5	6	3	M7×0.4P	3
M2.6×0.45P		11.3	32	73	83	115	125	25	13	3	33	19	2	3.5	10	4.5	6	3	M7×0.45P	3
M3.0×0.5P		11.3	32	73	83	115	125	25	13	3	33	19	2	3.5	10	4.5	6	3	M7×0.5P	4
M4.0×0.7P		11.3	32	73	83	115	125	25	13	3	33	19	2	3.5	10	4.5	6	3	M9×0.7P	5
M5.0×0.8P		12	32	73	83	115	125	25	13	3	33	19	2	3.5	10	4.5	6	3	M9×0.8P	5.5
M6.0×1.0P		12.5	35	73	83	119	129	25	13	3	33	19	2	3.5	11	5	8	3.5	M10×1.0P	6
이상주문제작																				

Standard (표준품)

■ **MS(T)**

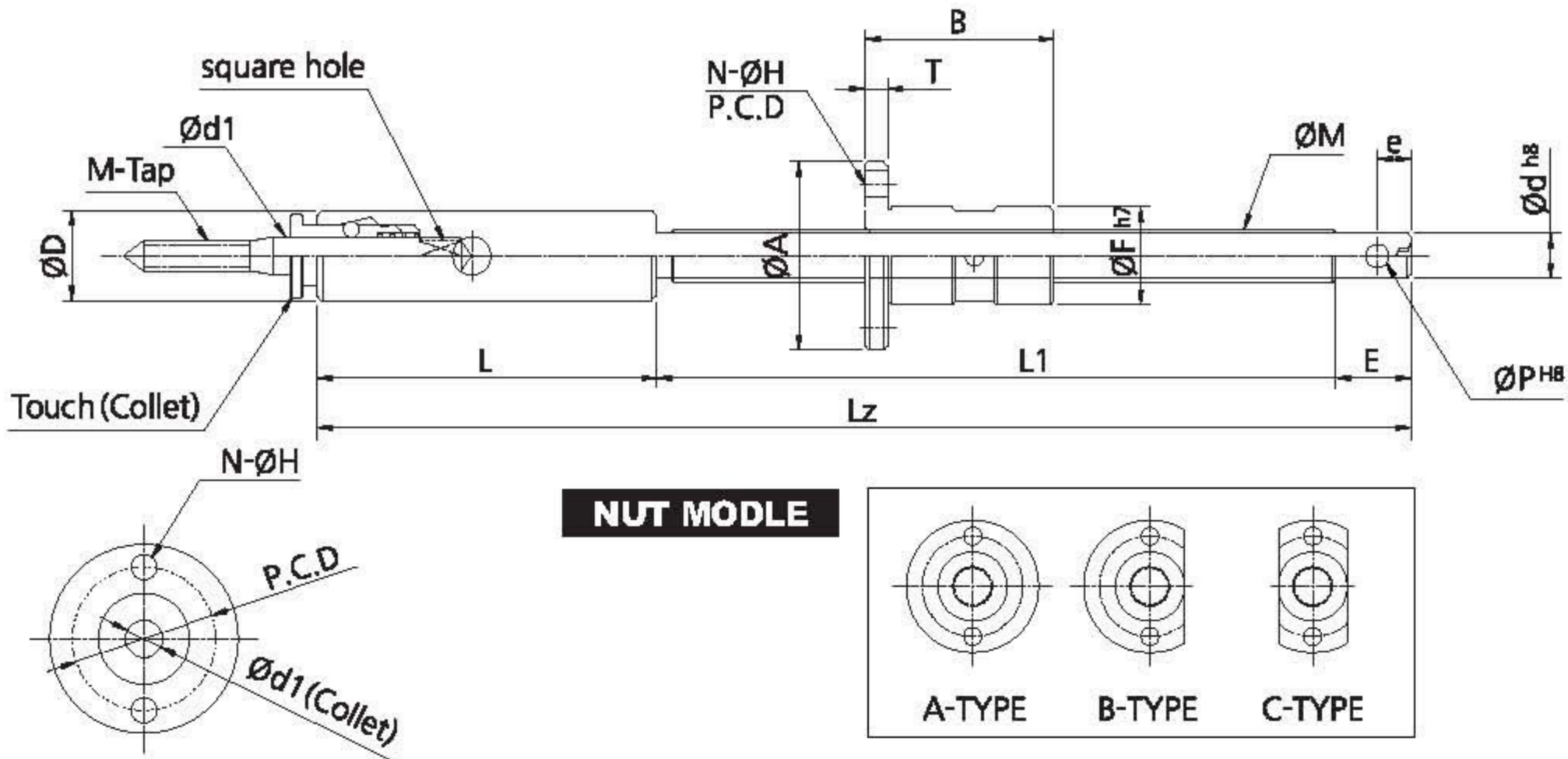
**Lz-145L**

**Lz-155L**

- MS(T)-※-D10
- MS(T)-※-D11



■ MS(T)-Type



■ MS(T)-※※-D10-145Lz

■ MS(T)-※※-D10-155Lz

〈주문표시〉 EX) MS(T)-M2.0X0.4P-D10-145Lz =

(단위 : mm)

TAP	SIZE	ØD1 (10)	L (145)	L (155)	L1 (145)	L1 (155)	Lz (145)	Lz (155)	ØA	ØF	T	B	PCD	N	ØH	E	e	ød	øP1	øM	collet ød
M1.4×0.3P		10	45	72	90	73	145	155	22.5	10.5	3	33	16.5	2	3.5	10	4.5	5	2	M6×0.3P	3
M1.7×0.35P		10	45	72	90	73	145	155	22.5	10.5	3	33	16.5	2	3.5	10	4.5	5	2	M6×0.35P	3
M2.0×0.4P		10	45	72	90	73	145	155	22.5	10.5	3	33	16.5	2	3.5	10	4.5	5	2	M7×0.4P	3
M2.6×0.45P		10	45	72	90	73	145	155	22.5	10.5	3	33	16.5	2	3.5	10	4.5	5	2	M7×0.45P	3
M3.0×0.5P		10	45	72	90	73	145	155	22.5	10.5	3	33	16.5	2	3.5	10	4.5	5	2	M7×0.5P	4
M4.0×0.7P		11	45	72	90	73	145	155	22.5	10.5	3	33	16.5	2	3.5	10	4.5	5	2	M7×0.7P	5

■ MS(T)-※※-D11-145Lz

■ MS(T)-※※-D11-155Lz

〈주문표시〉 EX) MS(T)-M2.0X0.4P-D11-145Lz =

(단위 : mm)

TAP	SIZE	ØD1 (11)	L (145)	L (155)	L1 (145)	L1 (155)	Lz (145)	Lz (155)	ØA	ØF	T	B	PCD	N	ØH	E	e	ød	øP	øM	collet ød
M1.4×0.3P		11.3	45	72	90	73	145	155	25	13	3	33	19	2	3.5	10	4.5	5	2	M6×0.3P	3
M1.7×0.35P		11.3	45	72	90	73	145	155	25	13	3	33	19	2	3.5	10	4.5	5	2	M6×0.35P	3
M2.0×0.4P		11.3	45	72	90	73	145	155	25	13	3	33	19	2	3.5	10	4.5	6	3	M7×0.4P	3
M2.6×0.45P		11.3	45	72	90	73	145	155	25	13	3	33	19	2	3.5	10	4.5	6	3	M7×0.45P	3
M3.0×0.5P		11.3	45	72	90	73	145	155	25	13	3	33	19	2	3.5	10	4.5	6	3	M7×0.5P	4
M4.0×0.7P		11.3	45	72	90	73	145	155	25	13	3	33	19	2	3.5	10	4.5	6	3	M9×0.7P	5
M5.0×0.8P		12	45	72	90	73	145	155	25	13	3	33	19	2	3.5	11	5	8	3.5	M9×0.8P	5.5
M6.0×1.0P		12.5	45	72	90	73	145	155	25	13	3	33	19	2	3.5	11	5	8	3.5	M10×1.0P	6
M8.0×1.25P		13.8	45	72	92	73	150	155	27	15	5	35	21	2	3.5	13	6	10	4.5	M12×1.25P	6.2

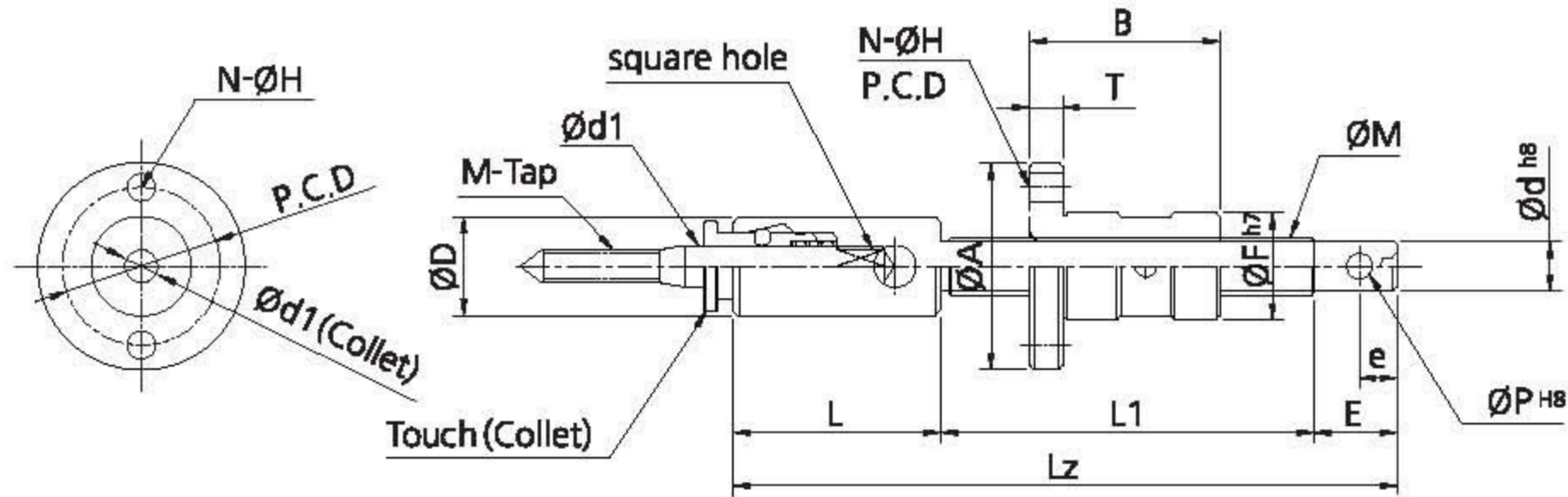
■ **MS(T)**

- MS(T)-※-D10
- MS(T)-※-D11

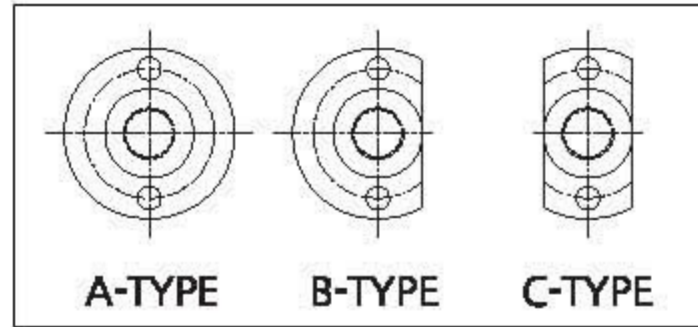
**Lz-80L**



■ MS(T)-Type



**NUT MODLE**



■ **MS(T)-※※-D10-80Lz**

〈주문표시〉 EX) MS(T)-M2.0X0.4P-D10-80Lz =

(단위 : mm)

TAP	SIZE	ØD (10)	L	L1	Lz	ØA	ØF	T	B	PCD	N	ØH	E	e	Ød	ØP	ØM	collet Ød
M1.4×0.3P		10	25	45	80	22.5	10.5	3	15	16.5	2	3.5	10	4.5	5	2	M6×0.3P	3
M1.7×0.35P		10	25	45	80	22.5	10.5	3	15	16.5	2	3.5	10	4.5	5	2	M6×0.35P	3
M2.0×0.4P		10	25	45	80	22.5	10.5	3	15	16.5	2	3.5	10	4.5	5	2	M7×0.4P	3
M2.6×0.45P		10	25	45	80	22.5	10.5	3	15	16.5	2	3.5	10	4.5	5	2	M7×0.45P	3
M3.0×0.5P		10	25	45	80	22.5	10.5	3	15	16.5	2	3.5	10	4.5	5	2	M7×0.5P	4
M4.0×0.7P		11	28	45	83	22.5	10.5	3	15	16.5	2	3.5	10	4.5	5	2	M7×0.7P	5

■ **MS(T)-※※-D11-80Lz**

〈주문표시〉 EX) MS(T)-M2.0X0.4P-D11-80Lz =

(단위 : mm)

TAP	SIZE	ØD (11)	L	L1	Lz	ØA	ØF	T	B	PCD	N	ØH	E	e	Ød	ØP	ØM	collet Ød
M1.4×0.3P		11.3	25	45	80	25	13	3	15	19	2	3.5	10	4.5	5	2	M6×0.3P	3
M1.7×0.35P		11.3	25	45	80	25	13	3	15	19	2	3.5	10	4.5	5	2	M6×0.35P	3
M2.0×0.4P		11.3	25	45	80	25	13	3	15	19	2	3.5	10	4.5	6	3	M7×0.4P	3
M2.6×0.45P		11.3	25	45	80	25	13	3	15	19	2	3.5	10	4.5	6	3	M7×0.45P	3
M3.0×0.5P		11.3	25	45	80	25	13	3	15	19	2	3.5	10	4.5	6	3	M7×0.5P	4
M4.0×0.7P		11.3	28	45	83	25	13	3	15	19	2	3.5	10	4.5	6	3	M9×0.7P	5
M5.0×0.8P		11.3	32	45	87	25	13	3	15	19	2	3.5	10	4.5	6	3	M9×0.8P	5.5

Standard (표준품)

■ **MS(T)**

- MS(T)-※-D13



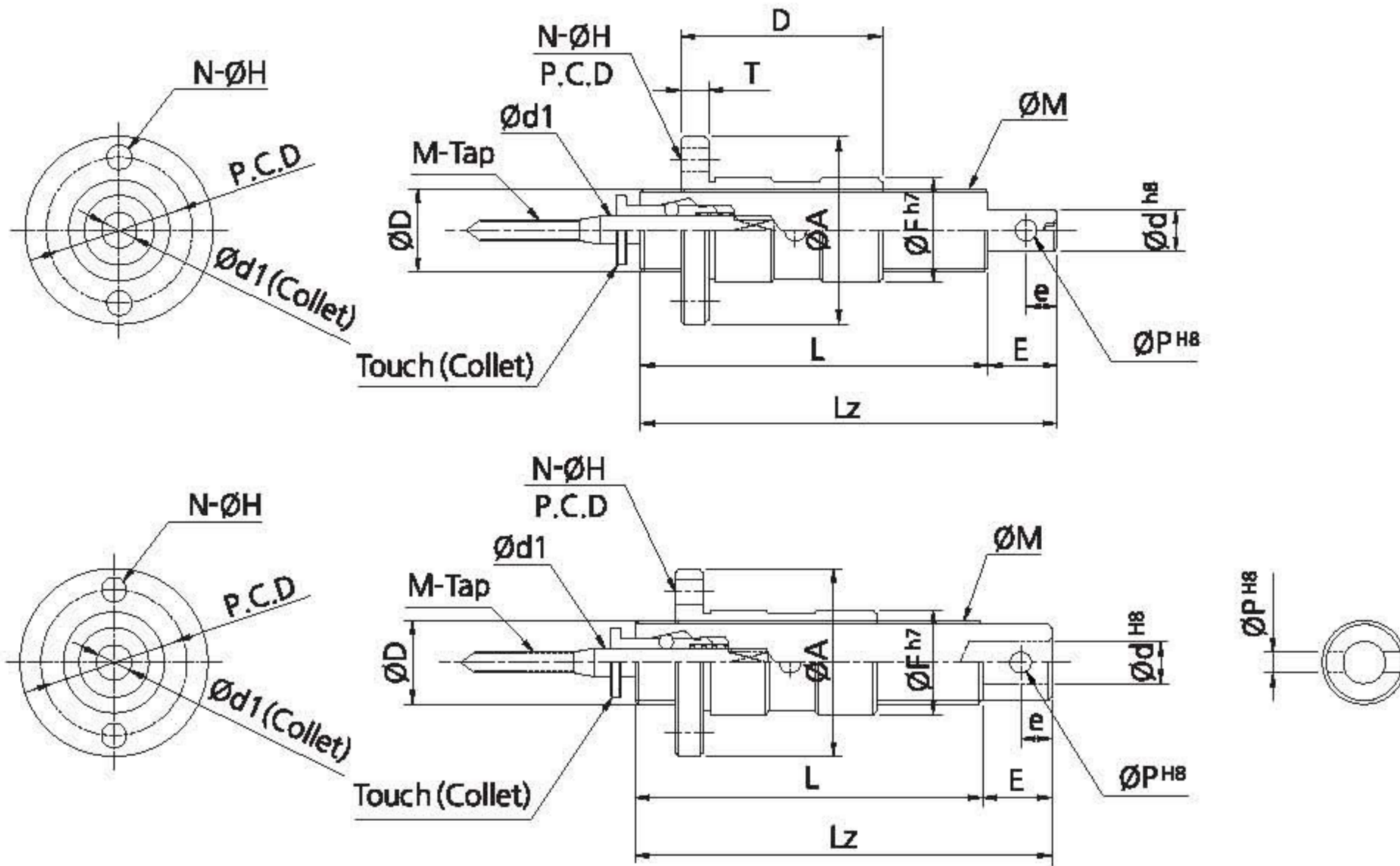
**Lz-60L**

- MS(T)-※-D11



**Lz-72L**

■ MS(T)-Type



■ MS(T)-※※-D13-60Lz

〈주문표시〉 EX) MS(T)-M2.0X0.4P-D13-60Lz =

(단위 : mm)

TAP	SIZE	$\varnothing D$ (13)	L	Lz	$\varnothing A$	$\varnothing F$	T	B	PCD	N	$\varnothing H$	E	e	$\varnothing d$	$\varnothing P_{H8}$	$\varnothing M$	collet $\varnothing d$
M2.0×0.4P		13	47	60	32	20	5	35	26	2	3.5	13	6	8	3	M14×0.4P	3
M2.6×0.45P		13	47	60	32	20	5	35	26	2	3.5	13	6	8	3	M14×0.45P	3
M3.0×0.5P		13	47	60	32	20	5	35	26	2	3.5	13	6	8	3	M14×0.5P	4
M4.0×0.7P		13	47	60	32	20	5	35	26	2	3.5	13	6	8	3	M14×0.7P	5

■ MS(T)-※※-D11-72Lz

〈주문표시〉 EX) MS(T)-M2.0X0.4P-D11-72Lz =

(단위 : mm)

TAP	SIZE	$\varnothing D$ (11)	L	Lz	$\varnothing A$	$\varnothing F$	T	B	PCD	N	$\varnothing H$	E	e	$\varnothing d$	$\varnothing P_{H8}$	$\varnothing M$	collet $\varnothing d$
M2.0×0.4P		11	60	72	27	15	4	34	21	2	3.5	12	4.5	6	3	M12×0.4P	3
M2.6×0.45P		11	60	72	27	15	4	34	21	2	3.5	12	4.5	6	3	M12×0.45P	3
M3.0×0.5P		11	60	72	27	15	4	34	21	2	3.5	12	4.5	6	3	M12×0.5P	4
M4.0×0.7P		11	60	72	27	15	4	34	21	2	3.5	12	4.5	6	3	M12×0.7P	5

무급유-흔들림방지 용  
No lubrication, For stabilization

■ **MSS(T)**

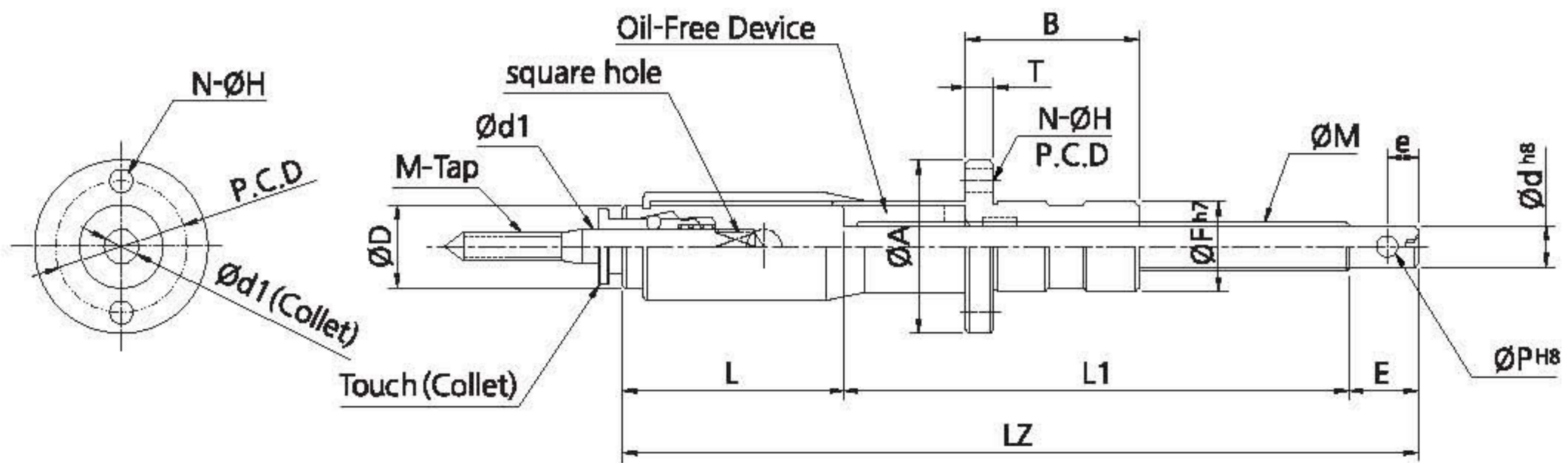
● MSS(T)-※-D15

**Lz-115L**

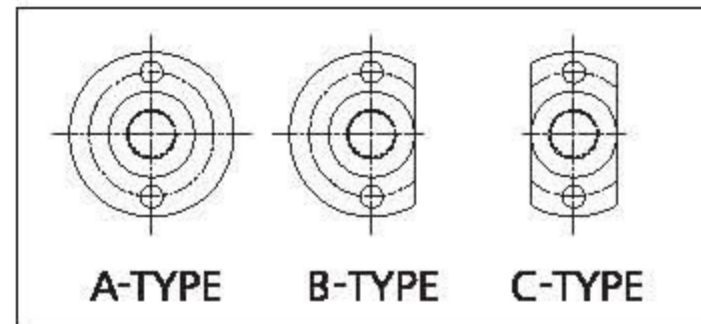
**Lz-125L**



■ MSS(T)-Type



**NUT MODLE**



■ MSS(T)-※※-D15-115Lz

■ MSS(T)-※※-D15-125Lz

〈주문표시〉 EX) MSS(T)-M2.0X0.4P-D15-115Lz =

(단위 : mm)

TAP	SIZE	ØD (15)	L	L1 (115)	L1 (125)	Lz (115)	Lz (125)	ØA	ØF	T	B	PCD	N	ØH	E	e	Ød	ØP	ØM	collet Ød
M1.4×0.3P		15.5	32	73	83	115	125	25	13	4	25	19	2	3.5	10	4.5	5	2	M6×0.3P	3
M1.7×0.35P		15.5	32	73	83	115	125	25	13	4	25	19	2	3.5	10	4.5	5	2	M6×0.35P	3
M2.0×0.4P		15.5	32	73	83	115	125	25	13	4	25	19	2	3.5	10	4.5	6	3	M7×0.4P	3
M2.6×0.45P		15.5	32	73	83	115	125	25	13	4	25	19	2	3.5	10	4.5	6	3	M7×0.45P	3
M3.0×0.5P		15.5	32	73	83	115	125	25	13	4	25	19	2	3.5	10	4.5	6	3	M7×0.5P	4
M4.0×0.7P		15.5	32	73	83	115	125	25	13	4	25	19	2	3.5	10	4.5	6	3	M9×0.7P	5
M5.0×0.8P		15.5	32	73	83	115	125	25	13	4	25	19	2	3.5	10	4.5	6	3	M9×0.8P	5.5

Standard (표준품)

■ **MS(C) D14**

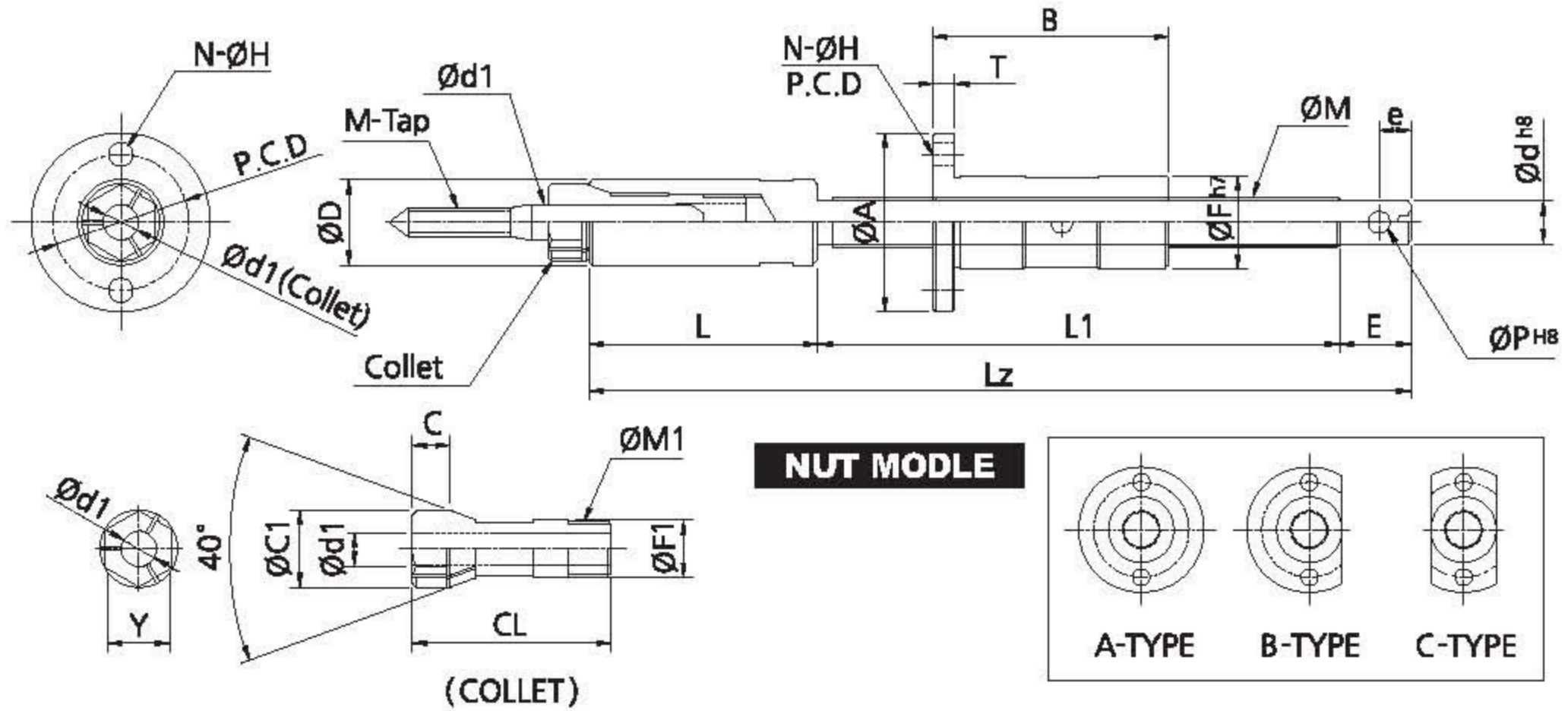
**Lz-115L**

**Lz-125L**

● MS(C)-※-D14



■ MS(C)-Type



■ MS(C)-※※-D14-115Lz

■ MS(C)-※※-D14-125Lz

〈주문표시〉 EX) MS(C)-M2.0X0.4P-D14-115Lz =

(단위 : mm)

TAP	SIZE	ØD1 (14)	L	L1 (115)	L1 (125)	Lz (115)	Lz (125)	ØA	ØF	T	B	PCD	N	ØH	E	e	Ød	ØP	ØM	collet Ød
M1.4×0.3P		13.8	32	73	83	115	125	25	13	3	33	19	2	3.5	10	4.5	5	2	M6×0.3P	3
M1.7×0.35P		13.8	32	73	83	115	125	25	13	3	33	19	2	3.5	10	4.5	5	2	M6×0.35P	3
M2.0×0.4P		13.8	32	73	83	115	125	25	13	3	33	19	2	3.5	10	4.5	6	3	M7×0.4P	3
M2.6×0.45P		13.8	32	73	83	115	125	25	13	3	33	19	2	3.5	10	4.5	6	3	M7×0.45P	3
M3.0×0.5P		13.8	32	73	83	115	125	25	13	3	33	19	2	3.5	10	4.5	6	3	M7×0.5P	4
M4.0×0.7P		13.8	32	73	83	115	125	25	13	3	33	19	2	3.5	10	4.5	6	3	M9×0.7P	5
M5.0×0.8P		13.8	32	73	83	115	125	25	13	3	33	19	2	3.5	10	4.5	6	3	M9×0.8P	5.5
M6.0×1.0P		13.8	35	73	83	119	125	25	13	3	33	19	2	3.5	11	5	8	3.5	M10×1.0P	6
이상주문제작																				

■ COLLET-Dimension

〈주문표시〉 EX) DC-14(Size) × d1(내경)

(단위 : mm)

COLLET	SIZE	ØD1 (SPINDLE)	Ød1	ØC1	CL	C	ØF1	Y	M1
DC-08		7.8	Ø3	7	23	4	5.2	6	M5×0.5P
DC-10		9.8	Ø3 ~ Ø4	8.5	24.5	4.5	6.2	7	M6×0.75P
DC-12		11.8	Ø3 ~ Ø5	10	27.5	4.5	7.2	9	M7×0.75P
DC-14		13.8	Ø3 ~ Ø6	11.5	30.5	4.5	8.3	10	M8×1.0P
DC-16		15.8	Ø3 ~ Ø7	14	35	5.5	10	12	M10×1.0P
DC-20		19.8	Ø5 ~ Ø8	17	46	6.5	14	17	M14×1.5P
DC-24		23.5	Ø5 ~ Ø10	20	50	7.5	16	21	M16×1.5P

Standard (표준품)

■ **MS(C) D14**

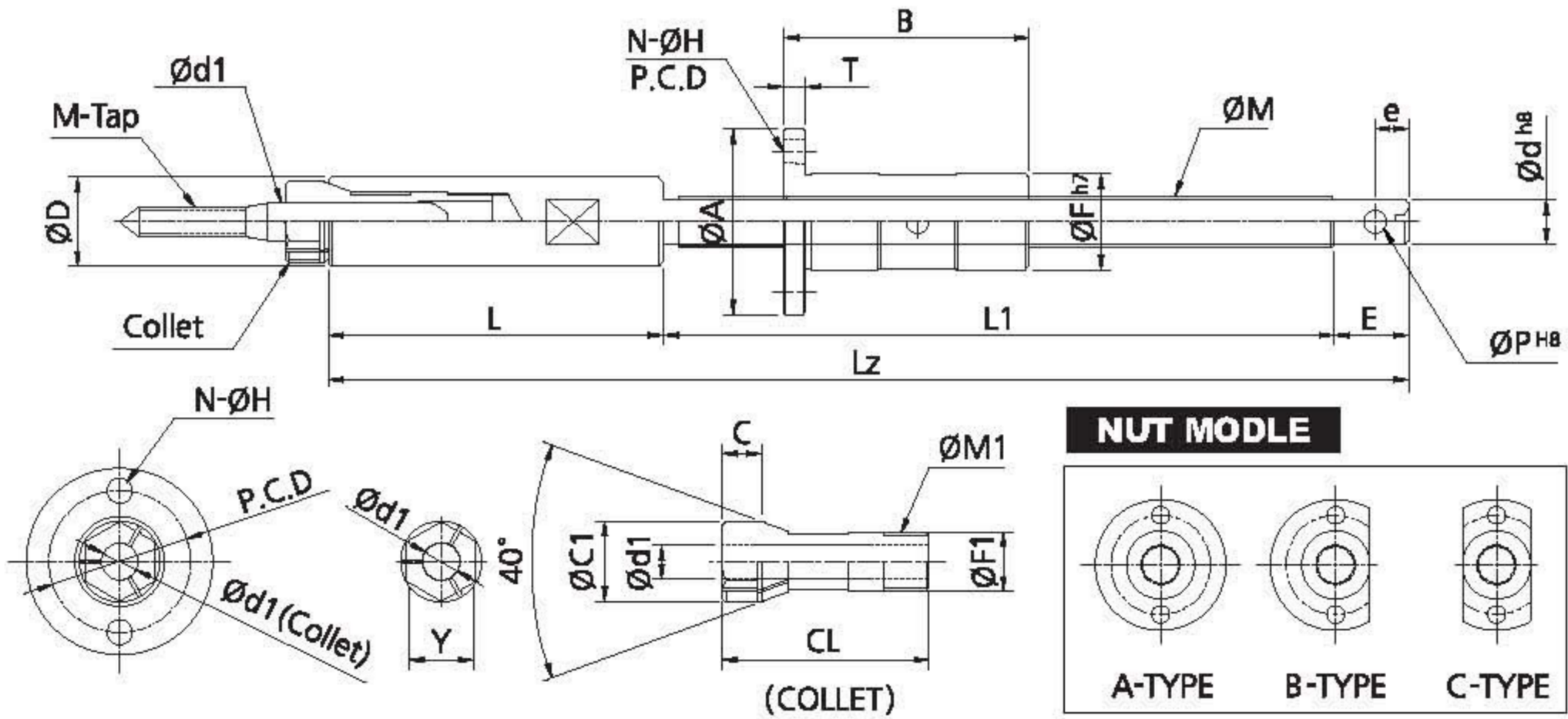
**Lz-145L**

● MS(C)-※-D14

**Lz-155L**



■ MS(C)-Type



■ MS(C)-※※-D14-145Lz

■ MS(C)-※※-D14-155Lz

〈주문표시〉 EX) MS(C)-M2.0X0.4P-D14-145Lz =

(단위 : mm)

TAP	SIZE	ØD1 (14)	L (145)	L (155)	L1 (145)	L1 (155)	Lz (145)	Lz (155)	ØA	ØF	T	B	PCD	N	ØH	E	e	Ød	ØP	ØM	collet Ød
M1.4×0.3P		13.8	45	72	90	73	145	155	25	13	3	33	19	2	3.5	10	4.5	5	2	M6×0.3P	3
M1.7×0.35P		13.8	45	72	90	73	145	155	25	13	3	33	19	2	3.5	10	4.5	5	2	M6×0.35P	3
M2.0×0.4P		13.8	45	72	90	73	145	155	25	13	3	33	19	2	3.5	10	4.5	6	3	M7×0.4P	3
M2.6×0.45P		13.8	45	72	90	73	145	155	25	13	3	33	19	2	3.5	10	4.5	6	3	M7×0.45P	3
M3.0×0.5P		13.8	45	72	90	73	145	155	25	13	3	33	19	2	3.5	10	4.5	6	3	M7×0.5P	4
M4.0×0.7P		13.8	45	72	90	73	145	155	25	13	3	33	19	2	3.5	10	4.5	6	3	M9×0.7P	5
M5.0×0.8P		13.8	45	72	90	73	145	155	25	13	3	33	19	2	3.5	10	4.5	6	3	M9×0.8P	5.5
M6.0×1.0P		13.8	45	72	80	72	145	155	25	13	3	33	19	2	3.5	11	5	8	3.5	M10×1.0P	6
M8.0×1.25P		13.8	45	72	87	70	150	155	29	17	5	35	23	2	3.5	13	6	10	3.5	M12×1.25P	6.2

■ COLLET-Dimension

〈주문표시〉 EX) DC-14(Size) × d1(내경)

(단위 : mm)

COLLET	SIZE	ØD1 (SPINDLE)	Ød1	ØC1	CL	C	ØF1	Y	M1
DC-08		7.8	Ø3	7	23	4	5.2	6	M5×0.5P
DC-10		9.8	Ø3~Ø4	8.5	24.5	4.5	6.2	7	M6×0.75P
DC-12		11.8	Ø3~Ø5	10	27.5	4.5	7.2	9	M7×0.75P
DC-14		13.8	Ø3~Ø6	11.5	30.5	4.5	8.3	10	M8×1.0P
DC-16		15.8	Ø3~Ø7	14	35	5.5	10	12	M10×1.0P
DC-20		19.8	Ø5~Ø8	17	46	6.5	14	17	M14×1.5P
DC-24		23.5	Ø5~Ø10	20	50	7.5	16	21	M16×1.5P



Standard (표준품)

■ **MS(C) D12**

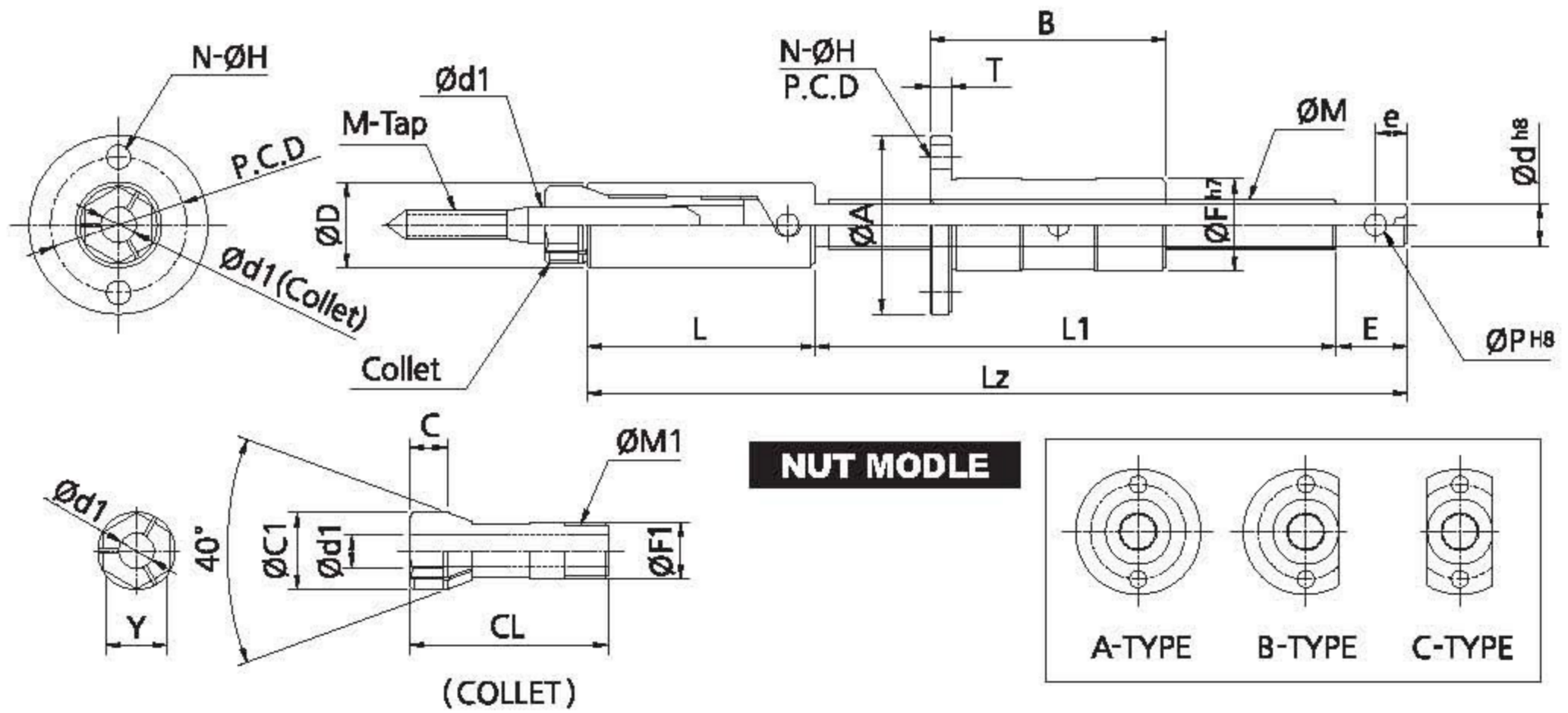
**Lz-115L**

**Lz-125L**

● MS(C)-※-D12



■ MS(C)-Type



■ MS(C)-※※-D12-115Lz

■ MS(C)-※※-D12-125Lz

〈주문표시〉 EX) MS(C)-M2.0X0.4P-D12-115Lz =

(단위 : mm)

TAP	SIZE	ØD (D12)	L	L1 (115)	L1 (125)	Lz (115)	Lz (125)	ØA	ØF	T	B	PCD	N	ØH	E	e	Ød	ØP	ØM	collet Ød
M1.4×0.3P		11.8	32	73	83	115	125	22.5	10.5	3	33	16.5	2	3.5	10	4.5	5	2	M6×0.3P	3
M1.7×0.35P		11.8	32	73	83	115	125	22.5	10.5	3	33	16.5	2	3.5	10	4.5	5	2	M6×0.35P	3
M2.0×0.4P		11.8	32	73	83	115	125	22.5	10.5	3	33	16.5	2	3.5	10	4.5	6	3	M7×0.4P	3
M2.6×0.45P		11.8	32	73	83	115	125	22.5	10.5	3	33	16.5	2	3.5	10	4.5	6	3	M7×0.45P	3
M3.0×0.5P		11.8	32	73	83	115	125	22.5	10.5	3	33	16.5	2	3.5	10	4.5	6	3	M7×0.5P	4
M4.0×0.7P		11.8	32	73	83	115	125	22.5	10.5	3	33	16.5	2	3.5	10	4.5	6	3	M7×0.7P	5
M5.0×0.8P		11.8	32	73	83	115	125	22.5	10.5	3	33	16.5	2	3.5	10	4.5	6	3	M7×0.8P	5.5
이상주문제작																				

■ COLLET-Dimension

〈주문표시〉 EX) DC-12(Size) × d1(내경)

(단위 : mm)

COLLET	SIZE	ØD1 (SPINDLE)	Ød1	ØC1	CL	C	ØF1	Y	M1
DC-08		7.8	Ø3	7	23	4	5.2	6	M5×0.5P
DC-10		9.8	Ø3 ~ Ø4	8.5	24.5	4.5	6.2	7	M6×0.75P
DC-12		11.8	Ø3 ~ Ø5	10	27.5	4.5	7.2	9	M7×0.75P
DC-14		13.8	Ø3 ~ Ø6	11.5	30.5	4.5	8.3	10	M8×1.0P
DC-16		15.8	Ø3 ~ Ø7	14	35	5.5	10	12	M10×1.0P
DC-20		19.8	Ø5 ~ Ø8	17	46	6.5	14	17	M14×1.5P
DC-24		23.5	Ø5 ~ Ø10	20	50	7.5	16	21	M16×1.5P

Standard (표준품)

■ **MS(C) D10**

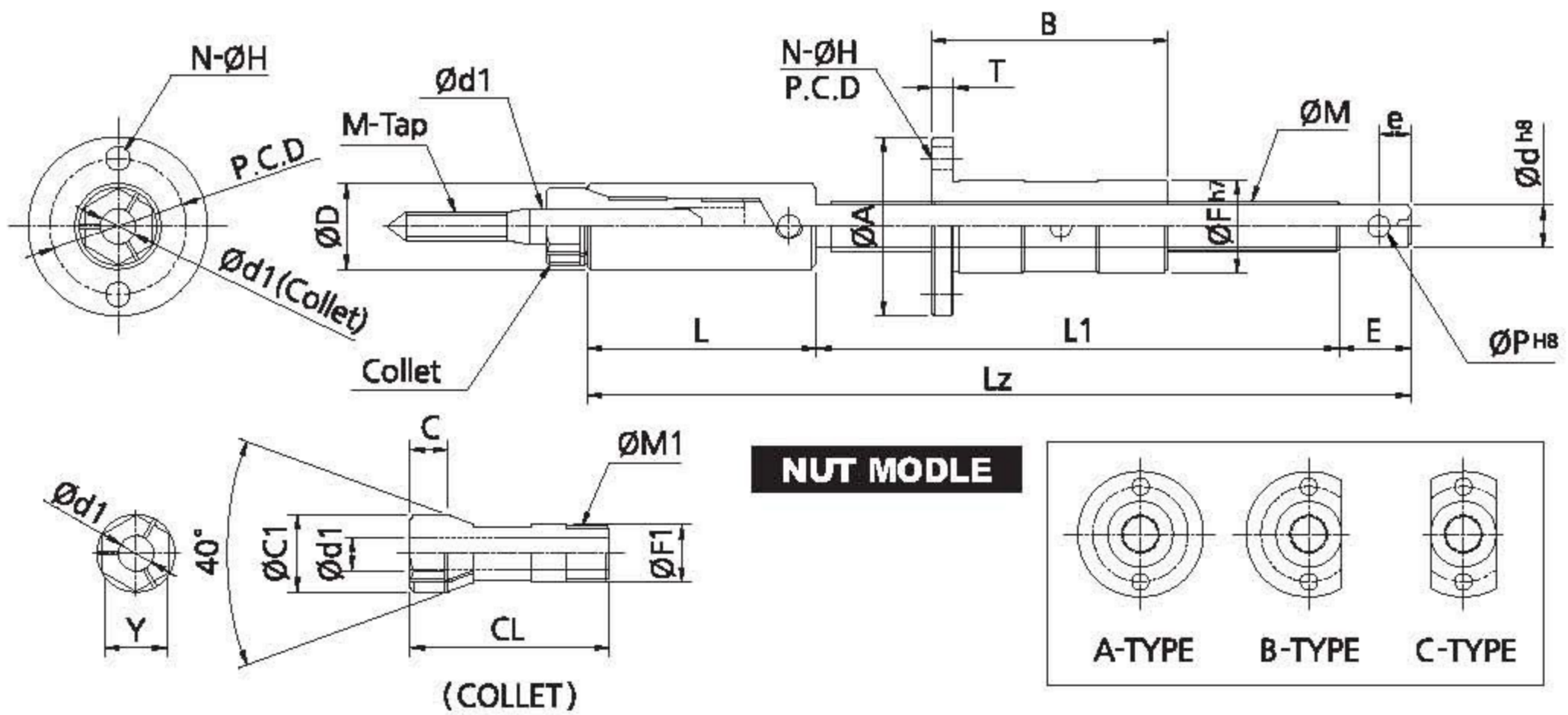
**Lz-115L**

● MS(C)-※-D10

**Lz-125L**



■ MS(C)-Type



■ MS(C)-※※-D10-115Lz

■ MS(C)-※※-D10-125Lz

〈주문표시〉 EX) MS(C)-M2.0X0.4P-D10-115Lz =

(단위 : mm)

TAP	SIZE	ØD1 (14)	L	L1 (115)	L1 (125)	Lz (115)	Lz (125)	ØA	ØF	T	B	PCD	N	ØH	E	e	Ød	ØP	ØM	collet Ød
M1.4×0.3P		9.8	32	73	83	115	125	21	9	3	33	15	2	3.5	10	4.5	5	2	M6×0.3P	3
M1.7×0.35P		9.8	32	73	83	115	125	21	9	3	33	15	2	3.5	10	4.5	5	2	M6×0.35P	3
M2.0×0.4P		9.8	32	73	83	115	125	21	9	3	33	15	2	3.5	10	4.5	5	2	M7×0.4P	3
M2.6×0.45P		9.8	32	73	83	115	125	21	9	3	33	15	2	3.5	10	4.5	5	2	M7×0.45P	3
M3.0×0.5P		9.8	32	73	83	115	125	21	9	3	33	15	2	3.5	10	4.5	5	2	M7×0.5P	4
M4.0×0.7P		9.8	32	73	83	115	125	21	9	3	33	15	2	3.5	10	4.5	5	2	M7×0.7P	5

■ COLLET-Dimension

〈주문표시〉 EX) DC-10(Size) × d1(내경)

(단위 : mm)

COLLET	SIZE	ØD1 (SPINDLE)	Ød1	ØC1	CL	C	ØF1	Y	ØM1
DC-08		7.8	Ø3	7	23	4	5.2	6	M5×0.5P
DC-10		9.8	Ø3~Ø4	8.5	24.5	4.5	6.2	7	M6×0.75P
DC-12		11.8	Ø3~Ø5	10	27.5	4.5	7.2	9	M7×0.75P
DC-14		13.8	Ø3~Ø6	11.5	30.5	4.5	8.3	10	M8×1.0P
DC-16		15.8	Ø3~Ø7	14	35	5.5	10	12	M10×1.0P
DC-20		19.8	Ø5~Ø8	17	46	6.5	14	17	M14×1.5P
DC-24		23.5	Ø5~Ø10	20	50	7.5	16	21	M16×1.5P

Standard (표준품)

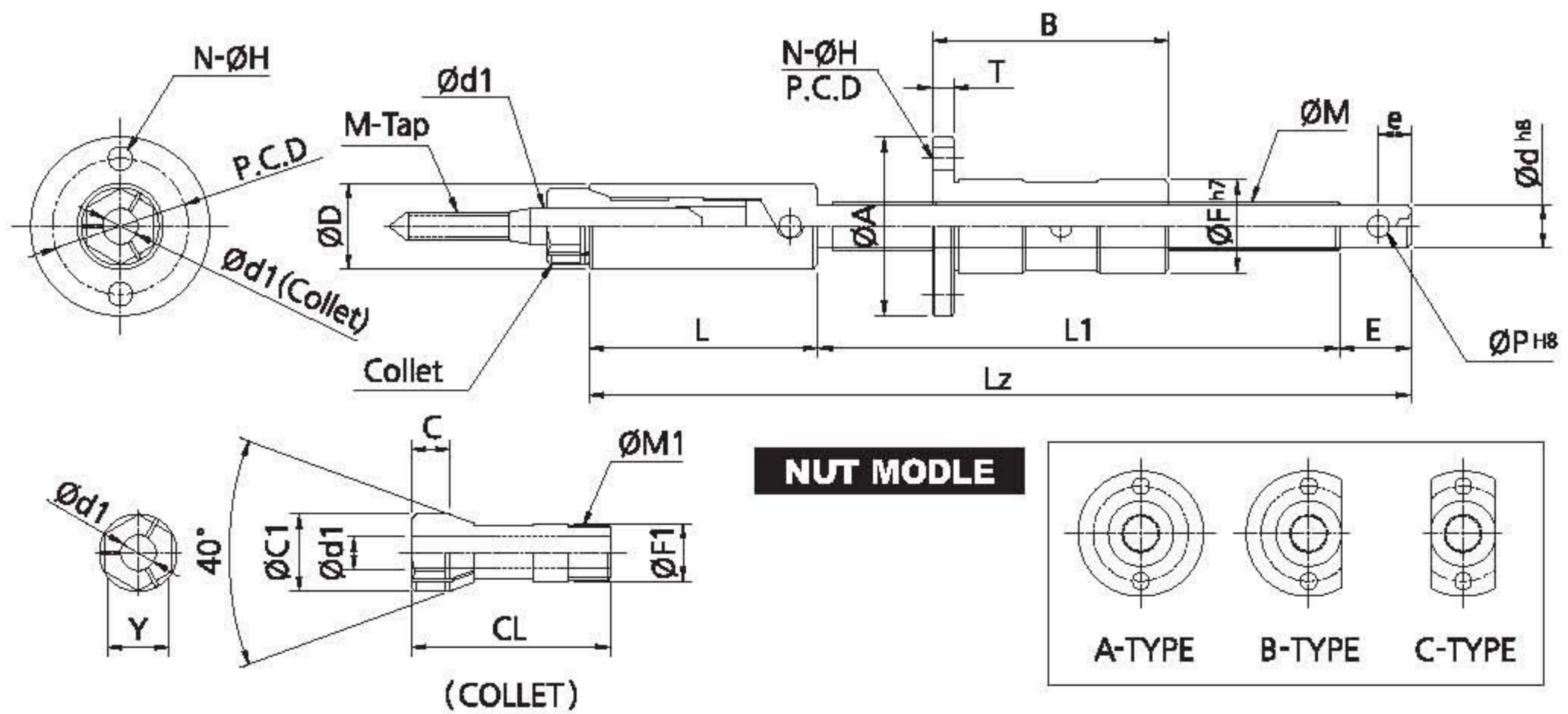
■ **MS(C) D8**

**Lz-110L**

- MS(C)-※-D8



■ MS(C)-Type



■ MS(C)-※-D8-110Lz

〈주문표시〉 EX) MS(C)-M2.0X0.4P-D8-110Lz =

(단위 : mm)

TAP	SIZE	ØD1 (14)	L	L1	Lz	ØA	ØF	T	B	PCD	N	ØH	E	e	Ød	ØP	ØM	collet Ød
M1.4×0.3P		7.8	32	68	110	19.5	7.5	3	33	13.5	2	3.5	8	4	4	1.5	M5×0.3P	3
M1.7×0.35P		7.8	32	68	110	19.5	7.5	3	33	13.5	2	3.5	8	4	4	1.5	M5×0.35P	3
M2.0×0.4P		7.8	32	68	110	19.5	7.5	3	33	13.5	2	3.5	8	4	4	1.5	M5×0.4P	3
M2.6×0.45P		7.8	32	68	110	19.5	7.5	3	33	13.5	2	3.5	8	4	4	1.5	M5×0.45P	3
M3.0×0.5P		7.8	32	68	110	19.5	7.5	3	33	13.5	2	3.5	8	4	4	1.5	M5×0.5P	4
M4.0×0.7P		7.8	32	68	110	19.5	7.5	3	33	13.5	2	3.5	8	4	4	1.5	M5×0.7P	5

■ COLLET-Dimension

〈주문표시〉 EX) DC-8(Size) × d1(내경)

(단위 : mm)

COLLET	SIZE	ØD1 (SPINDLE)	Ød1	ØC1	CL	C	ØF1	Y	ØM1
DC-08		7.8	Ø3	7	23	4	5.2	6	M5×0.5P
DC-10		9.8	Ø3 ~ Ø4	8.5	24.5	4.5	6.2	7	M6×0.75P
DC-12		11.8	Ø3 ~ Ø5	10	27.5	4.5	7.2	9	M7×0.75P
DC-14		13.8	Ø3 ~ Ø6	11.5	30.5	4.5	8.3	10	M8×1.0P
DC-16		15.8	Ø3 ~ Ø7	14	35	5.5	10	12	M10×1.0P
DC-20		19.8	Ø5 ~ Ø8	17	46	6.5	14	17	M14×1.5P
DC-24		23.5	Ø5 ~ Ø10	20	50	7.5	16	21	M16×1.5P

무급유-흔들림방지 용  
No lubrication, For stabilization

■ **MSS(C)**

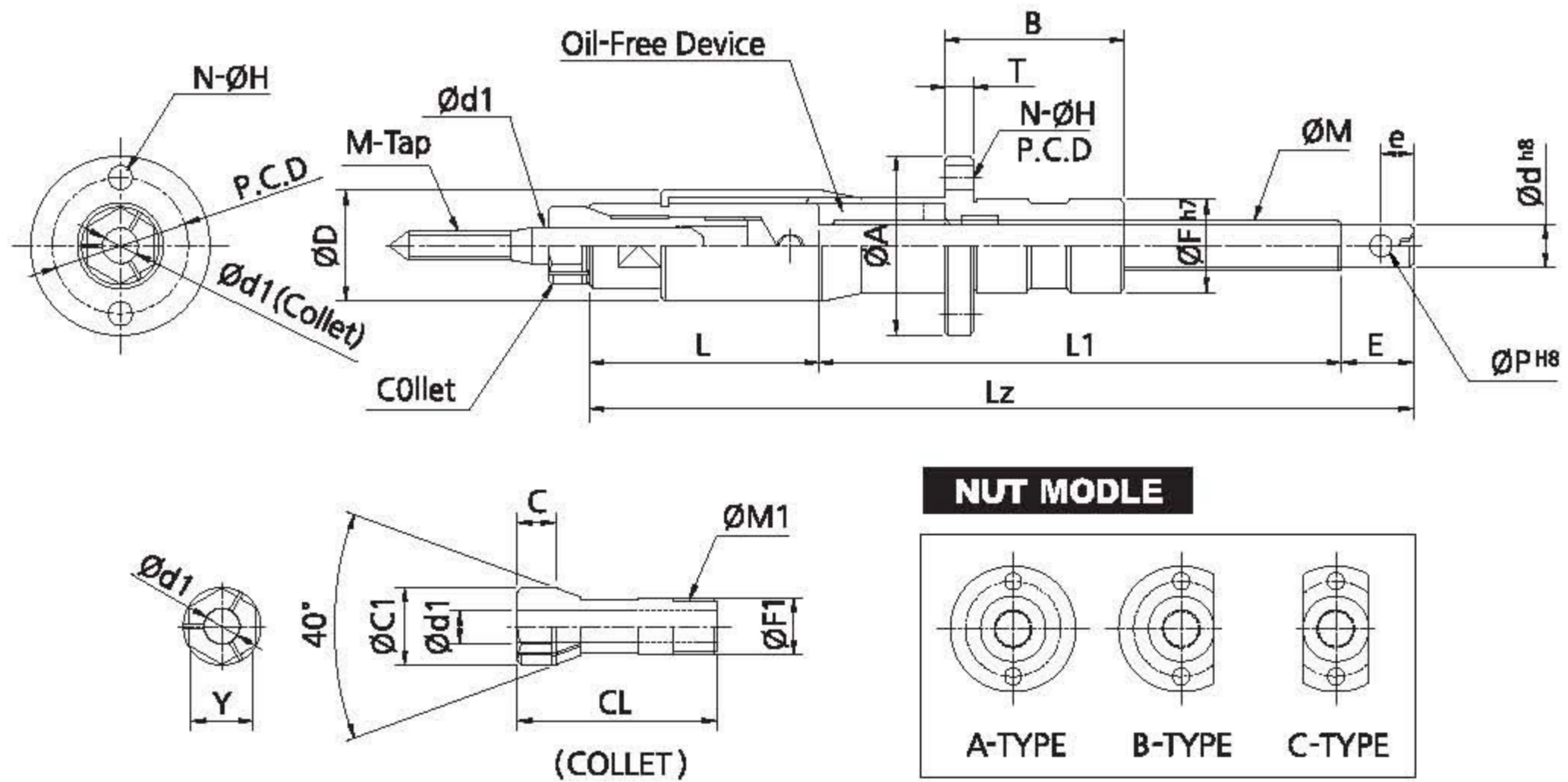
● MSS(C)-※-D15

**Lz-115L**

**Lz-125L**



■ MSS(C)-Type



■ MSS(C)-※※-D15-115Lz

■ MSS(C)-※※-D15-125Lz

〈주문표시〉 EX) MSS(C)-M2.0X0.4P-D15-125Lz =

(단위 : mm)

TAP	SIZE	ØD (15)	L	L1 (115)	L1 (125)	Lz (115)	Lz (125)	ØA	ØF	T	B	PCD	N	ØH	E	e	Ød	ØP	ØM	collet Ød
M1.4×0.3P		15.5	32	73	83	115	125	25	13	3	33	19	2	3.5	10	4.5	5	2	M6×0.3P	3
M1.7×0.35P		15.5	32	73	83	115	125	25	13	3	33	19	2	3.5	10	4.5	5	2	M6×0.35P	3
M2.0×0.4P		15.5	32	73	83	115	125	25	13	3	33	19	2	3.5	10	4.5	6	3	M7×0.4P	3
M2.6×0.45P		15.5	32	73	83	115	125	25	13	3	33	19	2	3.5	10	4.5	6	3	M7×0.45P	3
M3.0×0.5P		15.5	32	73	83	115	125	25	13	3	33	19	2	3.5	10	4.5	6	3	M7×0.5P	4
M4.0×0.7P		15.5	32	73	83	115	125	25	13	3	33	19	2	3.5	10	4.5	6	3	M9×0.7P	5
M5.0×0.8P		15.5	32	73	83	115	125	25	13	3	33	19	2	3.5	10	4.5	6	3	M9×0.8P	5.5

■ COLLET-Dimension

〈주문표시〉 EX) DC-8(Size) × d1(내경)

(단위 : mm)

COLLET	SIZE	ØD1 (SPINDLE)	Ød1	ØC1	ØCL	C	ØF1	Y	ØM1
DC - 08		7.8	Ø3	7	23	4	5.2	6	M5×0.5P
DC - 10		9.8	Ø3~Ø4	8.5	24.5	4.5	6.2	7	M6×0.75P
DC - 12		11.8	Ø3~Ø5	10	27.5	4.5	7.2	9	M7×0.75P
DC - 14		13.8	Ø3~Ø6	11.5	30.5	4.5	8.3	10	M8×1.0P
DC - 16		15.8	Ø3~Ø7	14	35	5.5	10	12	M10×1.0P

Standard (표준품)

■ **US(T)**

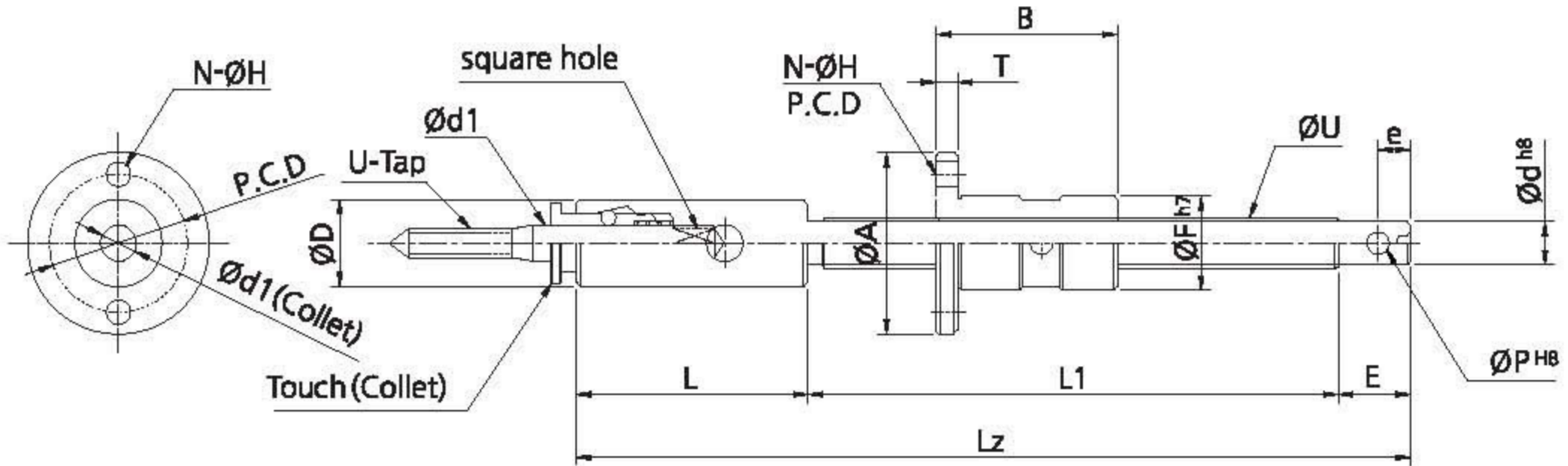
**Lz-115L**

**Lz-125L**

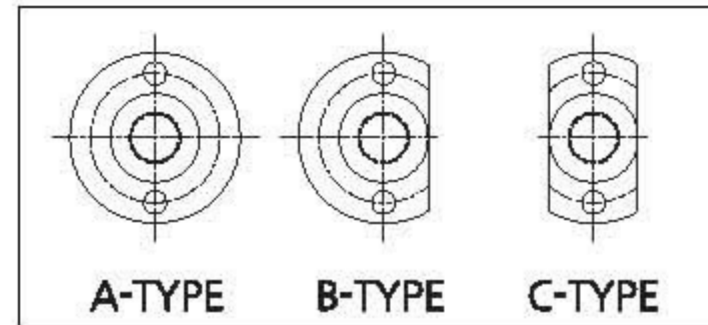
- US(T)-※-D10
- US(T)-※-D11



■ US(T)-Type



**NUT MODLE**



■ US(T)-※※-D10-115Lz

■ US(T)-※※-D10-125Lz

〈주문표시〉 EX) US(T)-NO.5-40UNC-D10-115Lz =

(단위 : mm)

TAP	SIZE	ØD (10)	L	L1 (115)	L1 (125)	Lz (115)	Lz (125)	ØA	ØF	T	B	PCD	N	ØH	E	e	Ød	ØP	ØU	collet Ød
NO.2-56 UNC		10	32	73	83	115	125	22.5	10.5	3	33	16.5	2	3.5	10	4.5	5	2	M7×0.4536P	3
NO.4-40 UNC		10	32	73	83	115	125	22.5	10.5	3	33	16.5	2	3.5	10	4.5	5	2	M7×0.635P	3
NO.5-40 UNC		10	32	73	83	115	125	22.5	10.5	3	33	16.5	2	3.5	10	4.5	5	2	M7×0.635P	4
NO.6-32 UNC		10	32	73	83	115	125	22.5	10.5	3	33	16.5	2	3.5	10	4.5	5	2	M8×0.7938P	4
NO.5-44 UNF		10	32	73	83	115	125	22.5	10.5	3	33	16.5	2	3.5	10	4.5	5	2	M7×0.5773P	4
NO.6-40 UNF		10	32	73	83	115	125	22.5	10.5	3	33	16.5	2	3.5	10	4.5	5	2	M7×0.635P	4

■ US(T)-※※-D11-115Lz

■ US(T)-※※-D11-125Lz

〈주문표시〉 EX) US(T)-NO.5-40UNC-D11-125Lz =

(단위 : mm)

TAP	SIZE	ØD (11)	L	L1 (115)	L1 (125)	Lz (115)	Lz (125)	ØA	ØF	T	B	PCD1	N	ØH	E	e	Ød	ØP	ØU	collet Ød
NO.2-56 UNC		11.3	32	73	83	115	125	25	13	3	33	19	2	3.5	10	4.5	6	3	M7×0.4536P	3
NO.4-40 UNC		11.3	32	73	83	115	125	25	13	3	33	19	2	3.5	10	4.5	6	3	M7×0.635P	3
NO.5-40 UNC		11.3	32	73	83	115	125	25	13	3	33	19	2	3.5	10	4.5	6	3	M7×0.635P	4
NO.6-32 UNC		11.3	32	73	83	115	125	25	13	3	33	19	2	3.5	10	4.5	6	3	M8×0.7938P	4
NO.8-32 UNC		11.3	32	73	83	115	125	25	13	3	33	19	2	3.5	10	4.5	6	3	M8×0.7938P	5
NO.5-44 UNF		11.3	32	73	83	115	125	25	13	3	33	19	2	3.5	10	4.5	6	3	M7×0.5773P	4
NO.6-40 UNF		11.3	32	73	83	115	125	25	13	3	33	19	2	3.5	10	4.5	6	3	M7×0.635P	4

Standard (표준품)

■ **US(T)**

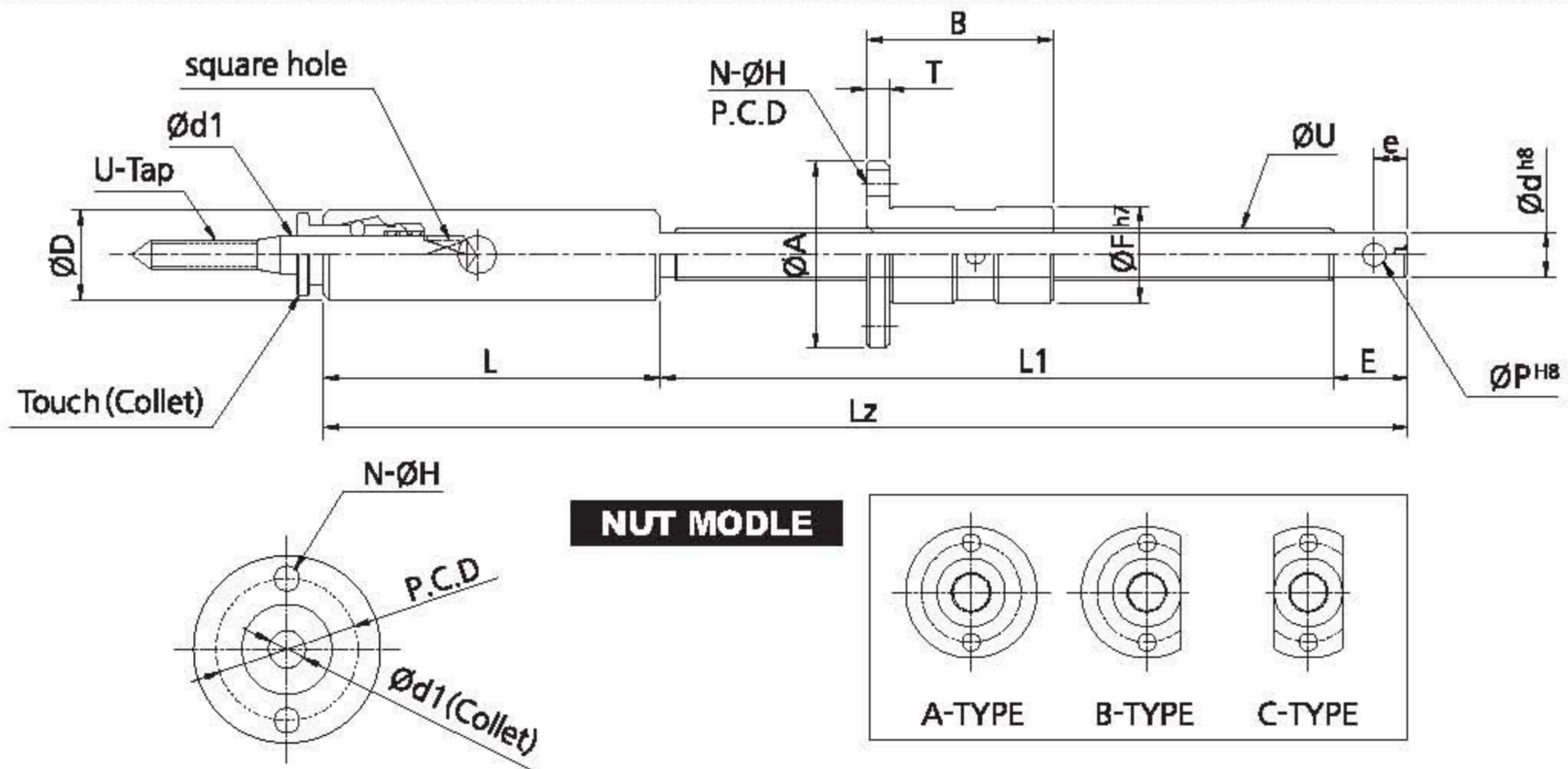
**Lz-145L**

**Lz-155L**

- US(T)-※-D10
- US(T)-※-D11



■ US(T)-Type



■ US(T)-※※-D10-145Lz

(단위 : mm)

■ US(T)-※※-D10-155Lz

<주문표시> EX) US(T)-NO.5-40UNC-D10-145Lz =

TAP	SIZE	ØD (10)	L (145)	L (155)	L1 (145)	L1 (155)	Lz (145)	Lz (155)	ØA	ØF	T	B	PCD	N	ØH	E	e	Ød	ØP	ØU	collet Ød
NO.2-56 UNC		10	45	72	90	73	145	155	22.5	10.5	3	33	16.5	2	3.5	10	4.5	5	2	M7×0.4536P	3
NO.4-40 UNC		10	45	72	90	73	145	155	22.5	10.5	3	33	16.5	2	3.5	10	4.5	5	2	M7×0.635P	3
NO.5-40 UNC		10	45	72	90	73	145	155	22.5	10.5	3	33	16.5	2	3.5	10	4.5	5	2	M7×0.635P	4
NO.6-32 UNC		10	45	72	90	73	145	155	22.5	10.5	3	33	16.5	2	3.5	10	4.5	5	2	M8×0.7938P	4
NO.5-44 UNF		10	45	72	90	73	145	155	22.5	10.5	3	33	16.5	2	3.5	10	4.5	5	2	M7×0.5773P	4
NO.6-40 UNF		10	45	72	90	73	145	155	25	13	3	33	19	2	3.5	10	4.5	5	2	M7×0.635P	4

■ US(T)-※※-D11-145Lz

(단위 : mm)

■ US(T)-※※-D11-155Lz

<주문표시> EX) US(T)-NO.5-40UNC-D11-145Lz =

TAP	SIZE	ØD (11)	L (145)	L (155)	L1 (145)	L1 (155)	Lz (145)	Lz (155)	ØA	ØF	T	B	PCD1	N	ØH	E	e	Ød	ØP	ØU	collet Ød
NO.2-56 UNC		11.3	45	72	90	73	145	155	25	13	3	33	19	2	3.5	10	4.5	6	3	M7×0.4536P	3
NO.4-40 UNC		11.3	45	72	90	73	145	155	25	13	3	33	19	2	3.5	10	4.5	6	3	M7×0.635P	3
NO.5-40 UNC		11.3	45	72	90	73	145	155	25	13	3	33	19	2	3.5	10	4.5	6	3	M7×0.635P	4
NO.6-32 UNC		11.3	45	72	90	73	145	155	25	13	3	33	19	2	3.5	10	4.5	6	3	M8×0.7938P	4
NO.8-32 UNC		11.3	45	72	90	73	145	155	25	13	3	33	19	2	3.5	10	4.5	6	3	M8×0.7938P	5
NO.5-44 UNF		11.3	45	72	90	73	145	155	25	13	3	33	19	2	3.5	10	4.5	6	3	M7×0.5773P	4
NO.6-40 UNF		11.3	45	72	90	73	145	155	25	13	3	33	19	2	3.5	10	4.5	6	3	M7×0.635P	4

Standard (표준품)

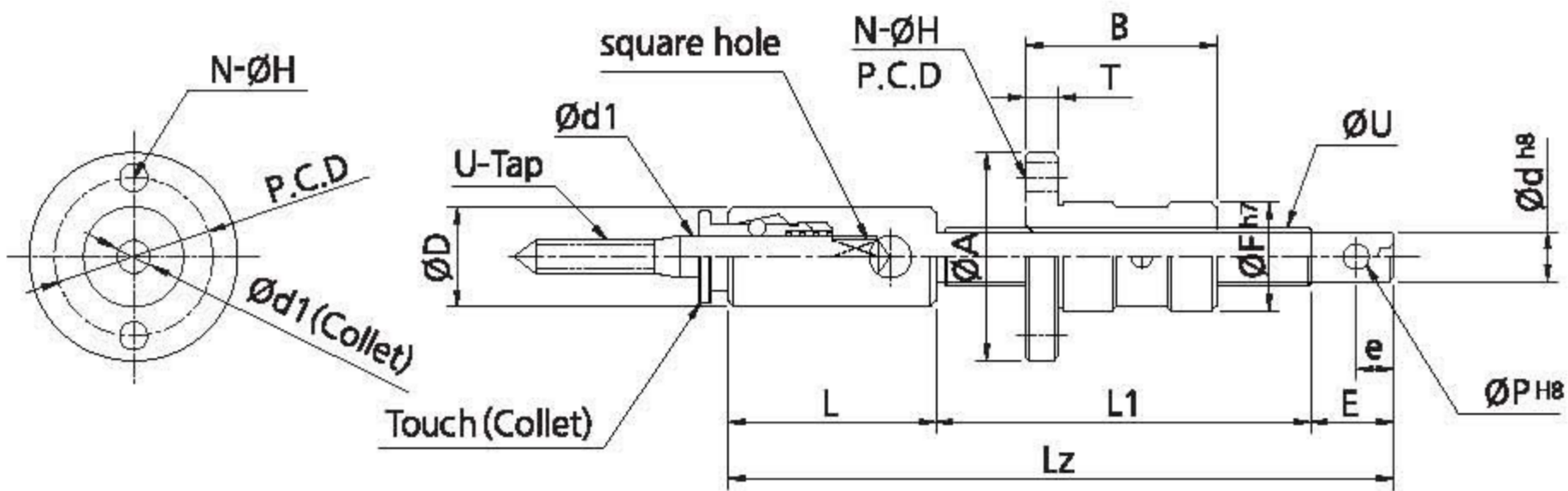
■ **US(T)**

- US(T)-※-D10
- US(T)-※-D11

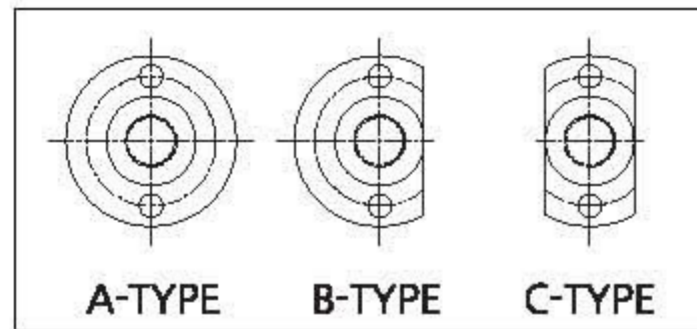
**Lz-80L**



■ US(T)-Type



**NUT MODLE**



■ **US(T)-※※-D10-80Lz**

〈주문표시〉 EX) US(T)-NO.5-40UNC-D10-80Lz =

(단위 : mm)

TAP	SIZE	ØD (10)	L	L1	Lz	ØA	ØF	T	B	PCD	N	ØH	E	e	Ød	ØP	ØU	collet Ød
NO.2-56 UNC		10	25	45	80	22.5	10.5	3	15	16.5	2	3.5	10	4.5	5	2	M7×0.4536P	3
NO.4-40 UNC		10	25	45	80	22.5	10.5	3	15	16.5	2	3.5	10	4.5	5	2	M7×0.635P	3
NO.5-40 UNC		10	25	45	80	22.5	10.5	3	15	16.5	2	3.5	10	4.5	6	2	M7×0.635P	4
NO.6-32 UNC		10	25	45	80	22.5	10.5	3	15	16.5	2	3.5	10	4.5	6	2	M8×0.7938P	4
NO.5-44 UNF		10	25	45	80	22.5	10.5	3	15	16.5	2	3.5	10	4.5	6	2	M7×0.5773P	4
NO.6-40 UNF		10	25	45	80	-	10.5	3	15	16.5	2	3.5	10	4.5	6	-	M7×0.635P	4

■ **US(T)-※※-D11-80Lz**

〈주문표시〉 EX) US(T)-NO.5-40UNC-D11-80Lz =

(단위 : mm)

TAP	SIZE	ØD (11)	L	L1	Lz	ØA	ØF	T	B	PCD	N	ØH	E	e	Ød	ØP	ØU	collet Ød
NO.2-56 UNC		11.3	25	45	80	25	13	3	15	19	2	3.5	10	4.5	5	2	M7×0.4536P	3
NO.4-40 UNC		11.3	25	45	80	25	13	3	15	19	2	3.5	10	4.5	5	2	M7×0.635P	3
NO.5-40 UNC		11.3	25	45	80	25	13	3	15	19	2	3.5	10	4.5	6	3	M7×0.635P	4
NO.6-32 UNC		11.3	25	45	80	25	13	3	15	19	2	3.5	10	4.5	6	3	M8×0.7938P	4
NO.8-32 UNC		11.3	27	45	82	25	13	3	15	19	2	3.5	10	4.5	6	3	M8×0.7938P	5
NO.5-44 UNF		11.3	25	45	80	25	13	3	15	19	2	3.5	10	4.5	6	3	M7×0.5773P	4
NO.6-40 UNF		11.3	25	45	80	25	13	3	15	19	2	3.5	10	4.5	6	3	M7×0.635P	4

Standard (표준품)

■ **US(T)**

- US(T)-※-D13



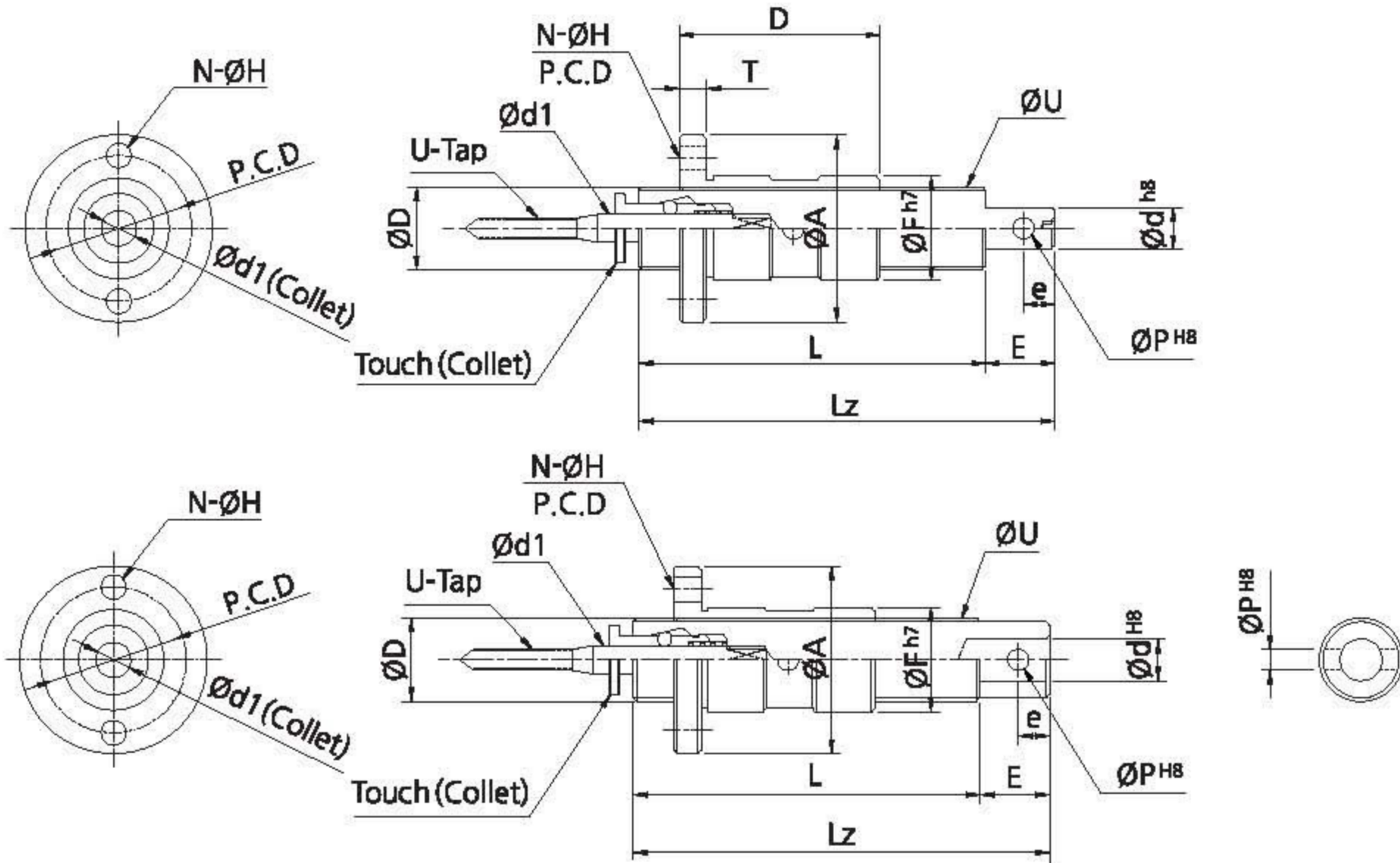
**Lz-60L**

- US(T)-※-D11



**Lz-72L**

■ US(T)-Type



■ US(T)-※※-D13-60Lz

〈주문표시〉 EX) US(T)-NO.5-40UNC-D13-60Lz =

(단위 : mm)

TAP	SIZE	ØD (13)	L	Lz	ØA	ØF	T	B	PCD	N	ØH	E	e	Ød	ØPH8	ØU	collet Ød
NO.2-56 UNC		13	47	60	32	20	5	35	26	2	3.5	13	6	8	3	M14×0.4536P	3
NO.4-40 UNC		13	47	60	32	20	5	35	26	2	3.5	13	6	8	3	M14×0.635P	3
NO.5-40 UNC		13	47	60	32	20	5	35	26	2	3.5	13	6	8	3	M14×0.635P	4
NO.6-32 UNC		13	47	60	32	20	5	35	26	2	3.5	13	6	8	3	M14×0.7938P	4

■ US(T)-※※-D11-72Lz

〈주문표시〉 EX) US(T)-NO.5-40UNC-D11-72Lz =

(단위 : mm)

TAP	SIZE	ØD (11)	L	Lz	ØA	ØF	T	B	PCD	N	ØH	E	e	Ød	ØPH8	ØU	collet Ød
NO.2-56 UNC		11	60	72	27	15	4	34	21	2	3.5	12	4.5	6	3	M12×0.4536P	3
NO.4-40 UNC		11	60	72	27	15	4	34	21	2	3.5	12	4.5	6	3	M12×0.635P	3
NO.5-40 UNC		11	60	72	27	15	4	34	21	2	3.5	12	4.5	6	3	M12×0.635P	4
NO.6-32 UNC		11	60	72	27	15	4	34	21	2	3.5	12	4.5	6	3	M12×0.7938P	4



무급유-흔들림방지 용

No lubrication, For stabilization

■ **USS(T)**

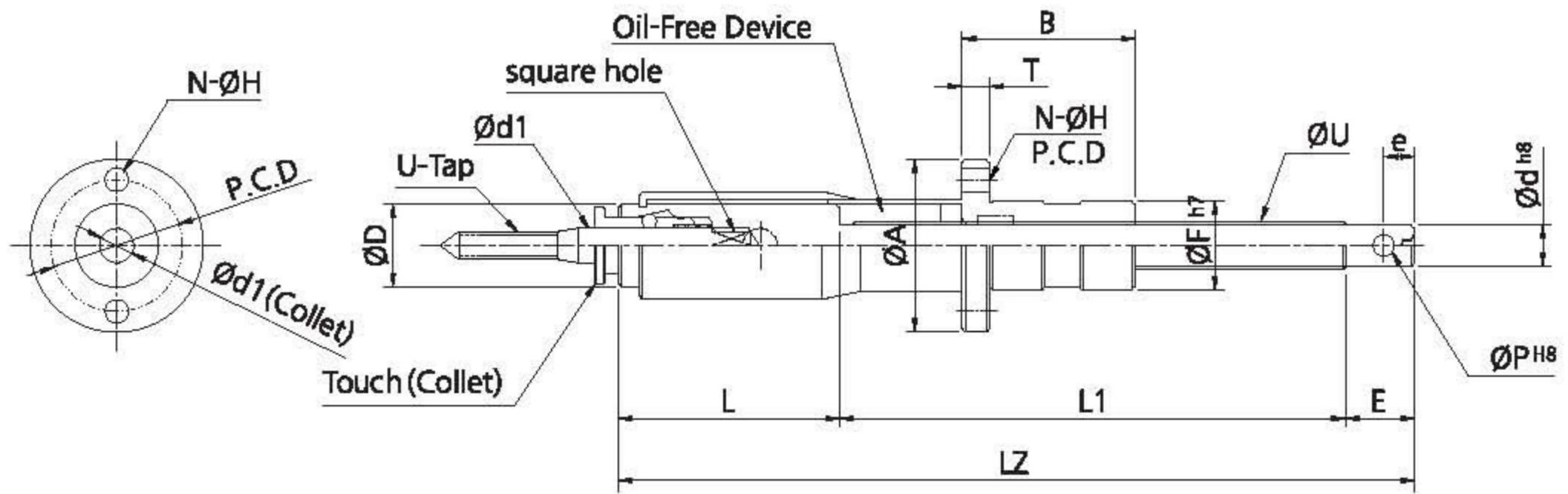
● USS(T)-※-D15

**Lz-115L**

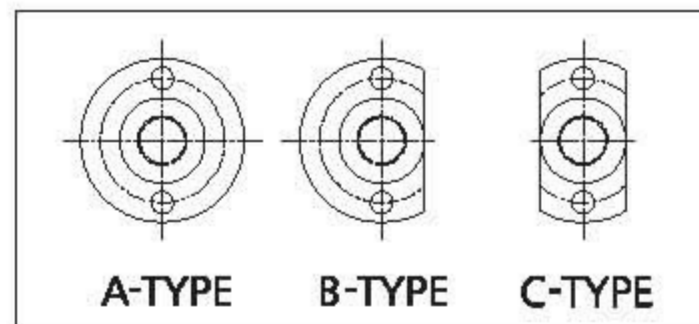
**Lz-125L**



■ **USS(T)-Type**



**NUT MODLE**



■ **USS(T)-※※-D15-115Lz**

■ **USS(T)-※※-D15-125Lz**

〈주문표시〉 EX) USS(T)-NO.5-40UNC-D15-115Lz =

(단위 : mm)

TAP	SIZE	ØD (15)	L	L1 (115)	L1 (125)	Lz (115)	Lz (125)	ØA	ØF	T	B	PCD	N	ØH	E	e	Ød	ØP	ØU	collet Ød
NO.2-56 UNC		15.5	32	73	83	115	125	25	13	4	25	19	2	3.5	10	4.5	5	2	M7×0.4536P	3
NO.4-40 UNC		15.5	32	73	83	115	125	25	13	4	25	19	2	3.5	10	4.5	5	2	M7×0.635P	3
NO.5-40 UNC		15.5	32	73	83	115	125	25	13	4	25	19	2	3.5	10	4.5	6	3	M7×0.635P	4
NO.6-32 UNC		15.5	32	73	83	115	125	25	13	4	25	19	2	3.5	10	4.5	6	3	M8×0.7938P	4
NO.8-32 UNC		15.5	32	73	83	115	125	25	13	4	25	19	2	3.5	10	4.5	6	3	M8×0.7938P	5
NO.5-44 UNF		15.5	32	73	83	115	125	25	13	4	25	19	2	3.5	10	4.5	6	3	M7×0.5773P	4
NO.6-40 UNF		15.5	32	73	83	115	125	25	13	4	25	19	2	3.5	10	4.5	6	3	M7×0.635P	4

Standard (표준품)

■ **US(C) D14**

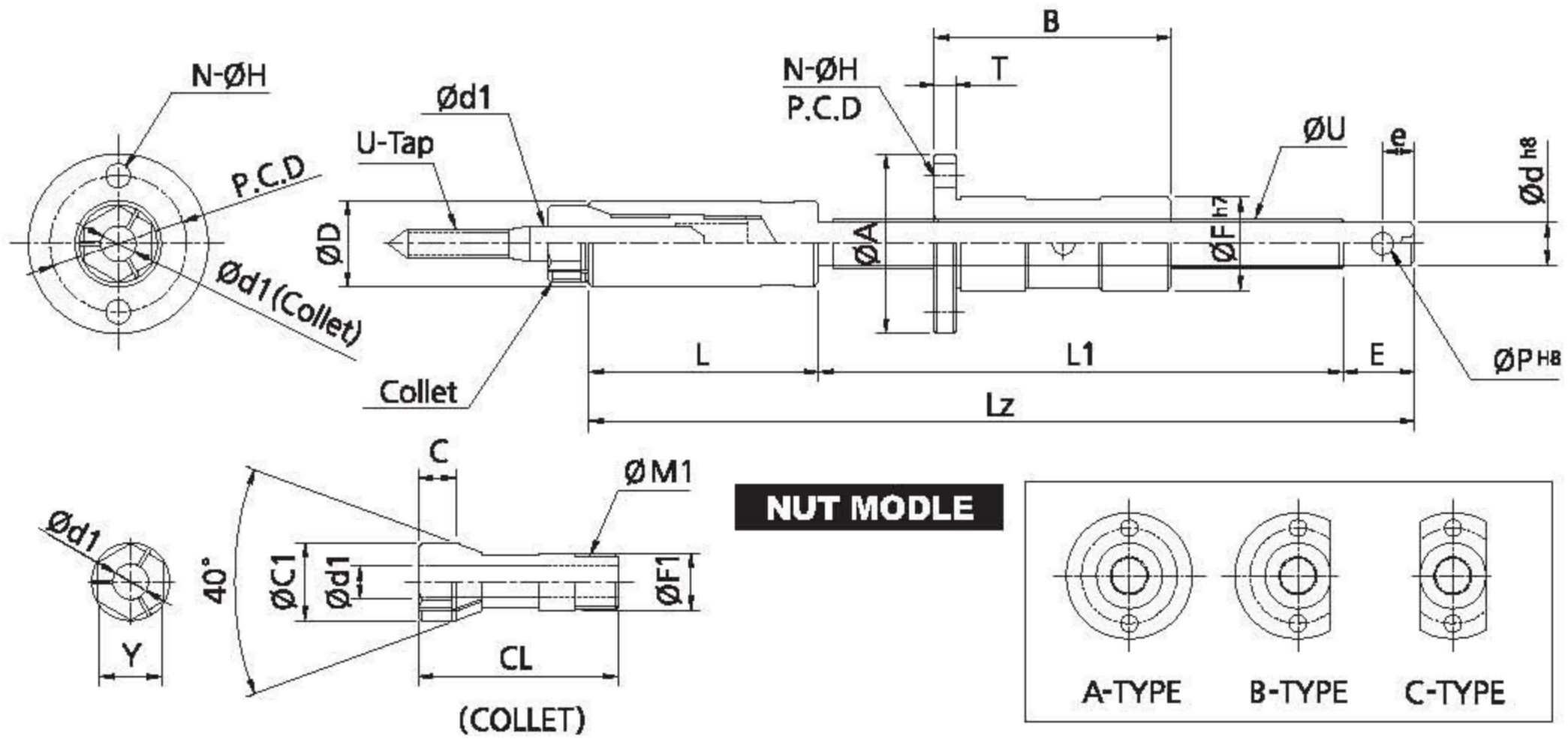
**Lz-115L**

**Lz-125L**

● US(C)-※-D14



■ US(C)-Type



■ US(C)-※※-D14-115Lz

■ US(C)-※※-D14-125Lz

〈주문표시〉 EX) USS(T)-NO.5-40UNC-D14-115Lz =

(단위 : mm)

TAP	SIZE	ØD1 (14)	L	L1 (115)	L1 (125)	Lz (115)	Lz (125)	ØA	ØF	T	B	PCD	N	ØH	E	e	Ød	ØP	ØU	collet Ød
NO.2-56 UNC		13.8	32	73	83	115	125	25	13	3	33	19	2	3.5	10	4.5	6	3	M7×0.4536P	3
NO.4-40 UNC		13.8	32	73	83	115	125	25	13	3	33	19	2	3.5	10	4.5	6	3	M7×0.635P	3
NO.5-40 UNC		13.8	32	73	83	115	125	25	13	3	33	19	2	3.5	10	4.5	6	3	M7×0.4536P	4
NO.6-32 UNC		13.8	32	73	83	115	125	25	13	3	33	19	2	3.5	10	4.5	6	3	M8×0.7938P	4
NO.8-32 UNC		13.8	32	73	83	115	125	25	13	3	33	19	2	3.5	10	4.5	6	3	M8×0.7938P	5
NO.5-44 UNF		13.8	32	73	83	115	125	25	13	3	33	19	2	3.5	10	4.5	6	3	M7×0.5773P	4
NO.6-40 UNF		13.8	32	73	83	115	125	25	13	3	33	19	2	3.5	10	4.5	6	3	M7×0.635P	4

■ COLLET-Dimension

〈주문표시〉 EX) DC-14(Size) × d1(내경)

(단위 : mm)

COLLET	SIZE	ØD1 (SPINDLE)	Ød1	ØC1	CL	C	ØF1	Y	ØM1
DC-08		7.8	Ø3	7	23	4	5.2	6	M5×0.5P
DC-10		9.8	Ø3~Ø4	8.5	24.5	4.5	6.2	7	M6×0.75P
DC-12		11.8	Ø3~Ø5	10	27.5	4.5	7.2	9	M7×0.75P
DC-14		13.8	Ø3~Ø6	11.5	30.5	4.5	8.3	10	M8×1.0P
DC-16		15.8	Ø3~Ø7	14	35	5.5	10	12	M10×1.0P
DC-20		19.8	Ø5~Ø8	17	46	6.5	14	17	M14×1.5P
DC-24		23.5	Ø5~Ø10	20	50	7.5	16	21	M16×1.5P

Standard (표준품)

■ **US(C) D14**

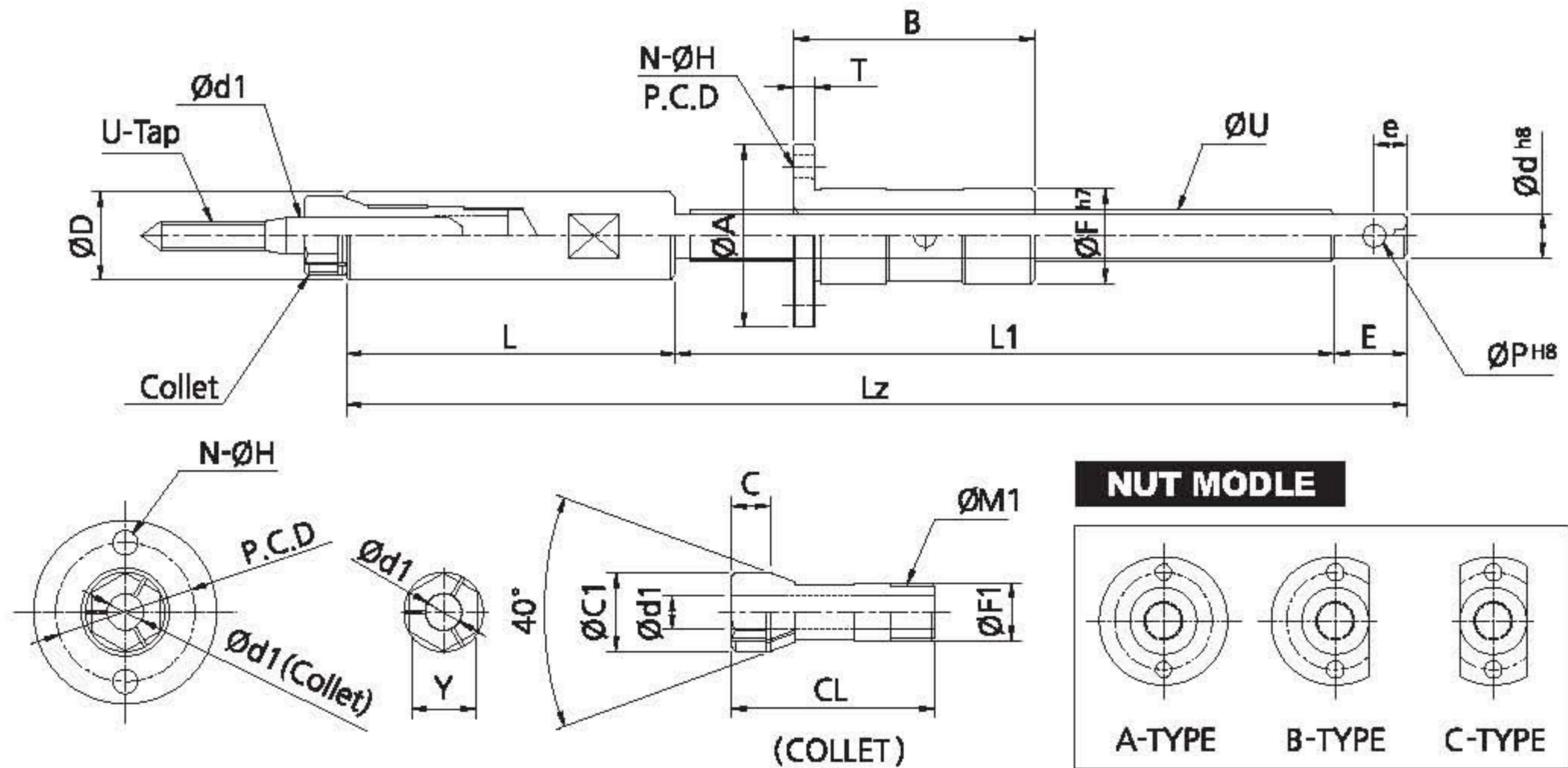
**Lz-145L**

● US(C)-※-D14

**Lz-155L**



■ US(C)-Type



■ US(C)-※※-D14-145Lz

■ US(C)-※※-D14-155Lz

〈주문표시〉 EX) USS(T)-NO.5-40UNC-D14-145Lz =

(단위 : mm)

TAP	SIZE	ØD (14)	L	L1 (145)	L1 (155)	Lz (145)	Lz (155)	ØA	ØF	T	B	PCD	N	ØH	E	e	Ød	ØP	ØU	collet Ød
NO.2-56 UNC		13.8	45	90	73	145	155	25	13	3	33	19	2	3.5	10	4.5	6	3	M7×0.4536P	3
NO.4-40 UNC		13.8	45	90	73	145	155	25	13	3	33	19	2	3.5	10	4.5	6	3	M7×0.635P	3
NO.5-40 UNC		13.8	45	90	73	145	155	25	13	3	33	19	2	3.5	10	4.5	6	3	M7×0.4536P	3
NO.6-32 UNC		13.8	45	90	73	145	155	25	13	3	33	19	2	3.5	10	4.5	6	3	M8×0.7938P	3
NO.8-32 UNC		13.8	45	90	73	145	155	25	13	3	33	19	2	3.5	10	4.5	6	3	M8×0.7938P	4
NO.5-44 UNF		13.8	45	90	73	145	155	25	13	3	33	19	2	3.5	10	4.5	6	3	M7×0.5773P	5
NO.6-40 UNF		13.8	45	90	73	145	155	25	13	3	33	19	2	3.5	10	4.5	6	3	M7×0.635P	5.5

■ COLLET-Dimension

〈주문표시〉 EX) DC-14(Size) × d1(내경)

(단위 : mm)

COLLET	SIZE	ØD1 (SPINDLE)	Ød1	ØC1	CL	C	ØF1	Y	ØM1
DC-08		7.8	Ø3	7	23	4	5.2	6	M5×0.5P
DC-10		9.8	Ø3 ~ Ø4	8.5	24.5	4.5	6.2	7	M6×0.75P
DC-12		11.8	Ø3 ~ Ø5	10	27.5	4.5	7.2	9	M7×0.75P
DC-14		13.8	Ø3 ~ Ø6	11.5	30.5	4.5	8.3	10	M8×1.0P
DC-16		15.8	Ø3 ~ Ø7	14	35	5.5	10	12	M10×1.0P
DC-20		19.8	Ø5 ~ Ø8	17	46	6.5	14	17	M14×1.5P
DC-24		23.5	Ø5 ~ Ø10	20	50	7.5	16	21	M16×1.5P

Standard (표준품)

■ **US(C) D12**

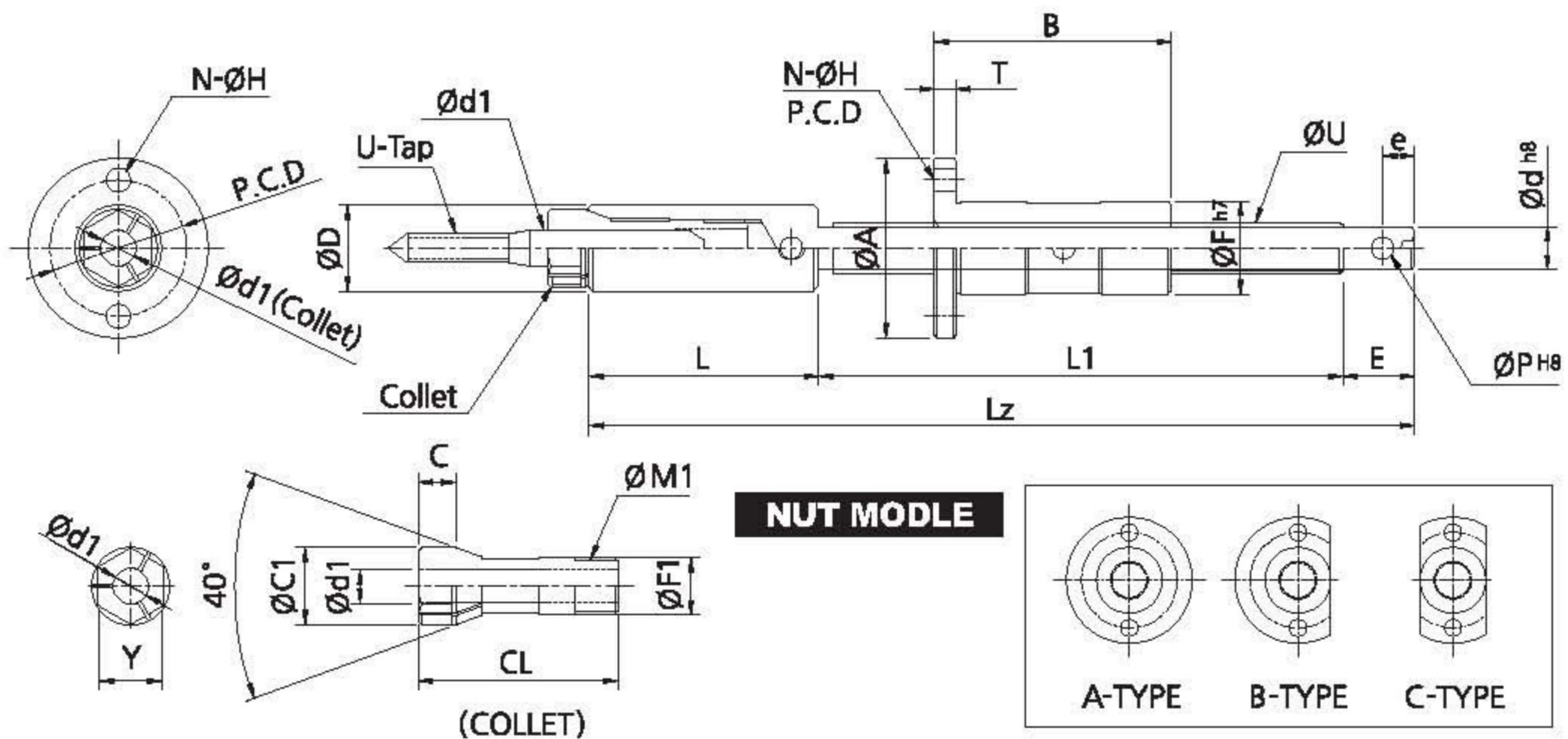
**Lz-115L**

● US(C)-※-D12

**Lz-125L**



■ US(C)-Type



■ US(C)-※※-D12-115Lz

■ US(C)-※※-D12-125Lz

〈주문표시〉 EX) USS(T)-NO.5-40UNC-D12-115Lz =

(단위 : mm)

TAP	SIZE	ØD (D12)	L	L1 (115)	L1 (125)	Lz (115)	Lz (125)	ØA	ØF	T	B	PCD	N	ØH	E	e	Ød	ØP	ØU	collet Ød
NO.2-56 UNC		11.8	32	73	83	115	125	22.5	10.5	3	33	16.5	2	3.5	10	4.5	5	3	M7×0.4536P	3
NO.4-40 UNC		11.8	32	73	83	115	125	22.5	10.5	3	33	16.5	2	3.5	10	4.5	5	3	M7×0.635P	3
NO.5-40 UNC		11.8	32	73	83	115	125	22.5	10.5	3	33	16.5	2	3.5	10	4.5	6	3	M7×0.635P	4
NO.6-32 UNC		11.8	32	73	83	115	125	22.5	10.5	3	33	16.5	2	3.5	10	4.5	6	3	M8×0.7938P	4
NO.8-32 UNC		11.8	32	73	83	115	125	22.5	10.5	3	33	16.5	2	3.5	10	4.5	6	3	M8×0.7938P	5
NO.5-44 UNF		11.8	32	73	83	115	125	22.5	10.5	3	33	16.5	2	3.5	10	4.5	6	3	M7×0.5773P	4
NO.6-40 UNF		11.8	32	73	83	115	125	22.5	10.5	3	33	16.5	2	3.5	10	4.5	6	3	M7×0.635P	4

■ COLLET-Dimension

〈주문표시〉 EX) DC-12(Size) × d1(내경)

(단위 : mm)

COLLET	SIZE	ØD1 (SPINDLE)	Ød1	ØC1	CL	C	ØF1	Y	ØM1
DC-08		7.8	Ø3	7	23	4	5.2	6	M5×0.5P
DC-10		9.8	Ø3~Ø4	8.5	24.5	4.5	6.2	7	M6×0.75P
DC-12		11.8	Ø3~Ø5	10	27.5	4.5	7.2	9	M7×0.75P
DC-14		13.8	Ø3~Ø6	11.5	30.5	4.5	8.3	10	M8×1.0P
DC-16		15.8	Ø3~Ø7	14	35	5.5	10	12	M10×1.0P
DC-20		19.8	Ø5~Ø8	17	46	6.5	14	17	M14×1.5P
DC-24		23.5	Ø5~Ø10	20	50	7.5	16	21	M16×1.5P

Standard (표준품)

■ **US(C) D10**

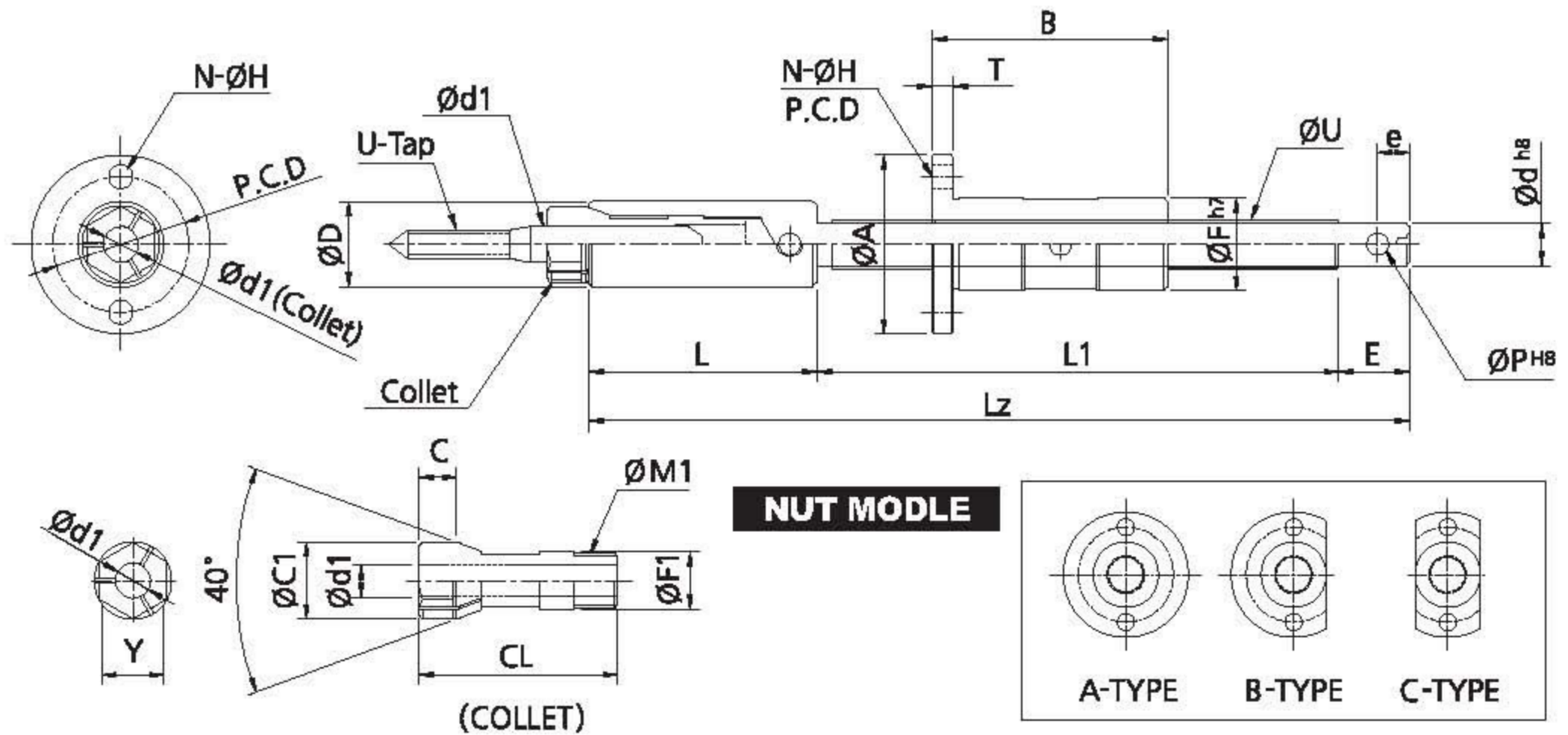
**Lz-115L**

● US(C)-※-D10

**Lz-125L**



■ US(C)-Type



■ US(C)-※※-D10-115Lz

■ US(C)-※※-D10-125Lz

〈주문표시〉 EX) USS(T)-NO.5-40UNC-D10-115Lz =

(단위 : mm)

TAP	SIZE	ØD (D10)	L	L1 (115)	L1 (125)	Lz (115)	Lz (125)	ØA	ØF	T	B	PCD	N	ØH	E	e	Ød	ØP	ØU	collet Ød
NO.2-56 UNC		9.8	32	73	83	115	125	21	9	3	33	15	2	3.5	10	4.5	5	2	M7×0.4536P	3
NO.4-40 UNC		9.8	32	73	83	115	125	21	9	3	33	15	2	3.5	10	4.5	5	2	M7×0.635P	3
NO.5-40 UNC		9.8	32	73	83	115	125	21	9	3	33	15	2	3.5	10	4.5	5	2	M7×0.4536P	4
NO.6-32 UNC		9.8	32	73	83	115	125	21	9	3	33	15	2	3.5	10	4.5	5	2	M7×0.7938P	4
NO.8-32 UNC		9.8	32	73	83	115	125	21	9	3	33	15	2	3.5	10	4.5	5	2	M7×0.7938P	5
NO.5-44 UNF		9.8	32	73	83	115	125	21	9	3	33	15	2	3.5	10	4.5	5	2	M7×0.5773P	4
NO.6-40 UNF		9.8	32	73	83	115	125	21	9	3	33	15	2	3.5	10	4.5	5	2	M7×0.635P	4

■ COLLET-Dimension

〈주문표시〉 EX) DC-10(Size) × d1(내경)

(단위 : mm)

COLLET	SIZE	ØD1 (SPINDLE)	Ød1	ØC1	CL	C	ØF1	Y	ØM1
DC-08		7.8	Ø3	7	23	4	5.2	6	M5×0.5P
DC-10		9.8	Ø3 ~ Ø4	8.5	24.5	4.5	6.2	7	M6×0.75P
DC-12		11.8	Ø3 ~ Ø5	10	27.5	4.5	7.2	9	M7×0.75P
DC-14		13.8	Ø3 ~ Ø6	11.5	30.5	4.5	8.3	10	M8×1.0P
DC-16		15.8	Ø3 ~ Ø7	14	35	5.5	10	12	M10×1.0P
DC-20		19.8	Ø5 ~ Ø8	17	46	6.5	14	17	M14×1.5P
DC-24		23.5	Ø5 ~ Ø10	20	50	7.5	16	21	M16×1.5P

Standard (표준품)

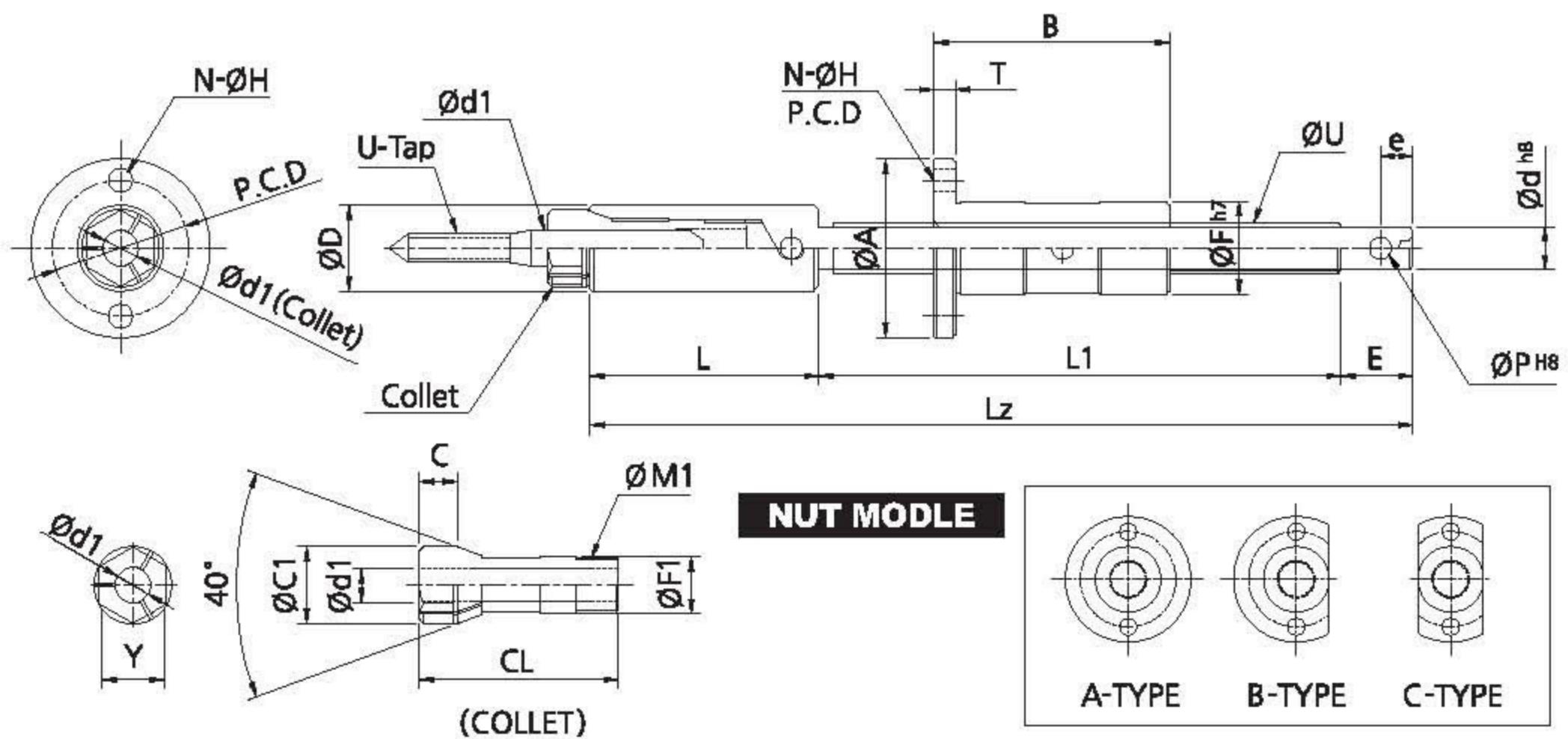
■ **US(C) D8**

**Lz-110L**

- US(C)-※-D8



■ US(C)-Type



■ US(C)-※※-D8-110Lz

〈주문표시〉 EX) US(C)-NO.5-40UNC-D8-110Lz =

(단위 : mm)

TAP	SIZE	ØD (D8)	L	L1	Lz	ØA	ØF	T	B	PCD	N	ØH	E	e	Ød	ØP	ØU	collet Ød
NO.2-56 UNC		32	7.8	68	110	19.5	7.5	3	33	13.5	2	3.5	8	4	4	1.5	M5×0.4536P	3
NO.4-40 UNC		32	7.8	68	110	19.5	7.5	3	33	13.5	2	3.5	8	4	4	1.5	M5×0.635P	3
NO.5-40 UNC		32	7.8	68	110	19.5	7.5	3	33	13.5	2	3.5	8	4	4	1.5	M5×0.4536P	3
NO.6-32 UNC		32	7.8	68	110	19.5	7.5	3	33	13.5	2	3.5	8	4	4	1.5	M5×0.7938P	3
NO.8-32 UNC		32	7.8	68	110	19.5	7.5	3	33	13.5	2	3.5	8	4	4	1.5	M5×0.7938P	3
NO.5-44 UNF		32	7.8	68	110	19.5	7.5	3	33	13.5	2	3.5	8	4	4	1.5	M5×0.5773P	3

■ COLLET-Dimension

〈주문표시〉 EX) DC-8(Size) × d1(내경)

(단위 : mm)

COLLET	SIZE	ØD1 (SPINDLE)	Ød1	ØC1	CL	C	ØF1	Y	ØM1
DC-08		7.8	Ø3	7	23	4	5.2	6	M5×0.5P
DC-10		9.8	Ø3~Ø4	8.5	24.5	4.5	6.2	7	M6×0.75P
DC-12		11.8	Ø3~Ø5	10	27.5	4.5	7.2	9	M7×0.75P
DC-14		13.8	Ø3~Ø6	11.5	30.5	4.5	8.3	10	M8×1.0P
DC-16		15.8	Ø3~Ø7	14	35	5.5	10	12	M10×1.0P
DC-20		19.8	Ø5~Ø8	17	46	6.5	14	17	M14×1.5P
DC-24		23.5	Ø5~Ø10	20	50	7.5	16	21	M16×1.5P

무급유-흔들림방지 용  
No lubrication, For stabilization

■ **USS(C)**

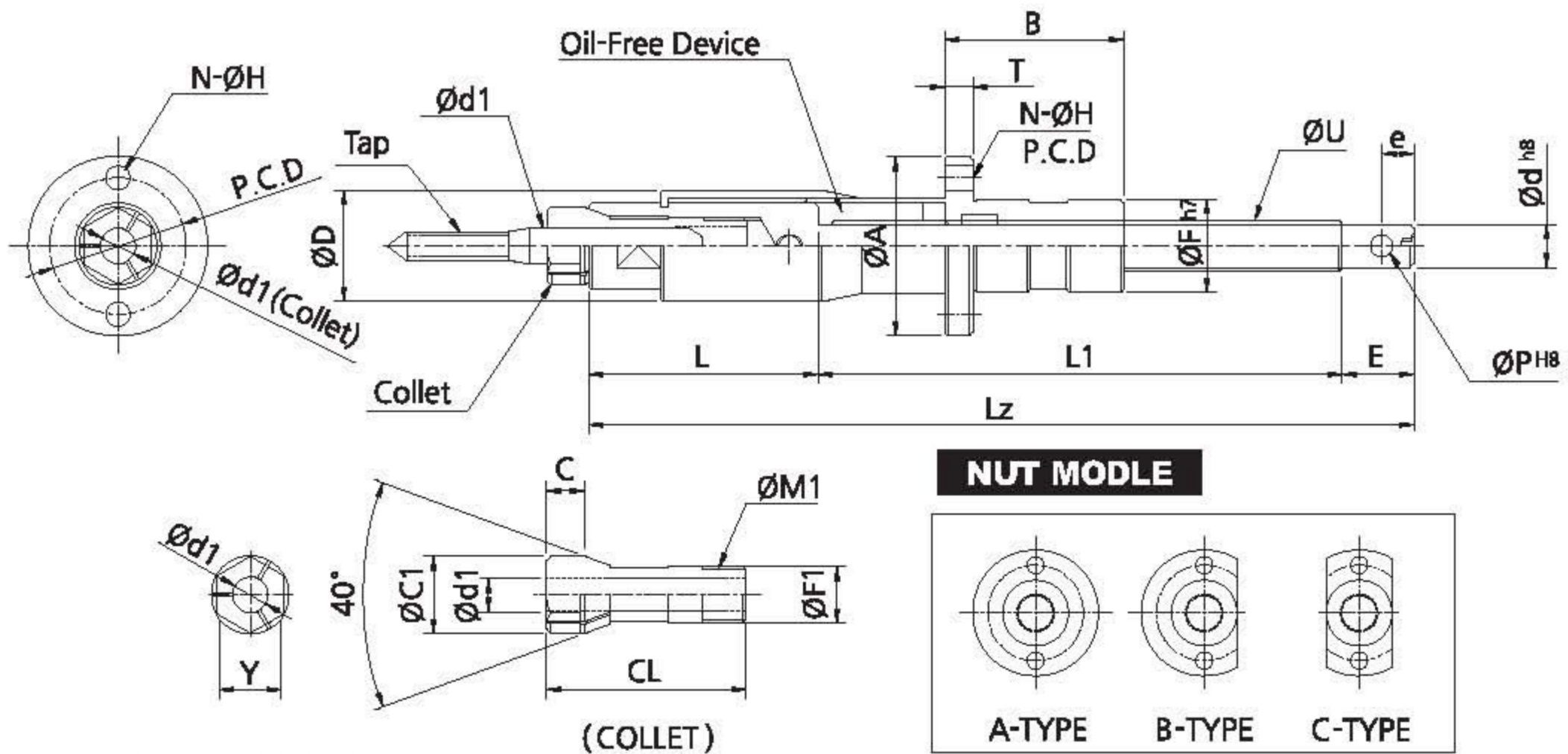
● USS(C)-※-D15

**Lz-115L**

**Lz-125L**



■ **US(C)-Type**



■ **USS(C)-※※-D15-115Lz**

■ **USS(C)-※※-D15-125Lz**

〈주문표시〉 EX) USS(C)-NO.5-40UNC-D15-115Lz =

(단위 : mm)

TAP	SIZE	ØD (15)	L	L1 (115)	L1 (125)	Lz (115)	Lz (125)	ØA	ØF	T	B	PCD	N	ØH	E	e	Ød	ØP	ØM	collet Ød
NO.2-56 UNC		15.5	32	73	83	115	125	25	13	3	25	19	2	3.5	10	4.5	6	3	M7×0.4536P	3
NO.4-40 UNC		15.5	32	73	83	115	125	25	13	3	25	19	2	3.5	10	4.5	6	3	M7×0.635P	3
NO.5-40 UNC		15.5	32	73	83	115	125	25	13	3	25	19	2	3.5	10	4.5	6	3	M7×0.635P	4
NO.6-32 UNC		15.5	32	73	83	115	125	25	13	3	25	19	2	3.5	10	4.5	6	3	M8×0.7938P	4
NO.8-32 UNC		15.5	32	73	83	115	125	25	13	3	25	19	2	3.5	10	4.5	6	3	M8×0.7938P	5
NO.5-44 UNF		15.5	32	73	83	115	125	25	13	3	25	19	2	3.5	10	4.5	6	3	M7×0.5773P	4
NO.6-40 UNF		15.5	32	73	83	115	125	25	13	3	25	19	2	3.5	10	4.5	6	3	M7×0.635P	4

■ **COLLET-Dimension**

〈주문표시〉 EX) DC-8(Size) × d1(내경)

(단위 : mm)

COLLET	SIZE	ØD1 (SPINDLE)	Ød1	ØC1	CL	C	ØF1	Y	ØM1
DC-08		7.8	Ø3	7	23	4	5.2	6	M5×0.5P
DC-10		9.8	Ø3 ~ Ø4	8.5	24.5	4.5	6.2	7	M6×0.75P
DC-12		11.8	Ø3 ~ Ø5	10	27.5	4.5	7.2	9	M7×0.75P
DC-14		13.8	Ø3 ~ Ø6	11.5	30.5	4.5	8.3	10	M8×1.0P
DC-16		15.8	Ø3 ~ Ø7	14	35	5.5	10	12	M10×1.0P
DC-20		19.8	Ø5 ~ Ø8	17	46	6.5	14	17	M14×1.5P
DC-24		23.5	Ø5 ~ Ø10	20	50	7.5	16	21	M16×1.5P

# Tapping Machine

## MASTER SPINDLE 배치도

