

Introduction

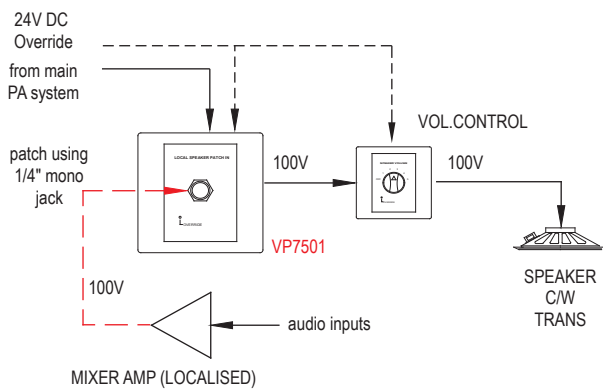
VP7501 is used to isolate a group of speakers (meeting room, etc) from central PA system to allow a separate PA amplifier to utilise those local speakers, but can be overridden by main system when a 24V overriding signal is present.

VP7810 works similarly but the local speaker is 8 Ohm, ie. setup in hotel room with speaker connected to TV audio output via a mini amplifier. In the event of emergency, it shall allow the incoming 100V line to take over and to match the speaker's impedance.

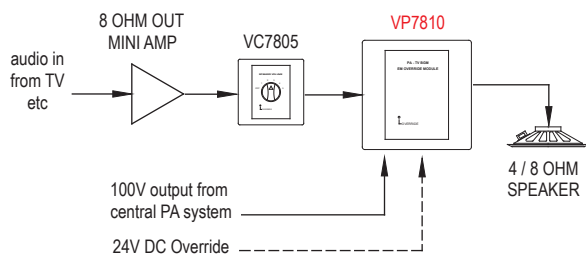
Features

- ▶ Suitable for 4 wire system : 2 x audio, 2 x 24V DC overriding
- ▶ Built in overriding relay for emergency bypass with LED indicator
- ▶ Also available with 70 x 120 mm front panel

Application Schematic



VP7501 application schematic



VP7810 application schematic



VP7501 - Local Speaker Patch Panel



VP7810 - 8 Ohm Speaker Patch

Technical Specifications

	VP7501	VP7810
Power rating	50W 100V line	10W 8 Ohm
Overriding voltage	24V DC : 15 mA	
Patch connection	1/4" phone jack-front patch	Hardwired
Cablings	4 wire system (2 audio ; 2 overriding)	
Size (front panel)	86 x 86 mm	
	70 x 120 mm face plate available upon request	
Weight	80 g	200 g

Optional back enclosure:

Concealed (W x H x D)	77 x 77 x 60 mm
Surface (W x H x D)	85 x 85 x 60 mm

Packing information

Carton (L x W x H) : VP7501 / VP7810 : 550 x 425 x 220 mm
 Weight : VP7501 : 100 g per unit
 : VP7810 : 240 g per unit
 Qty : VP7501 / VP7810 : 90 uts per carton