

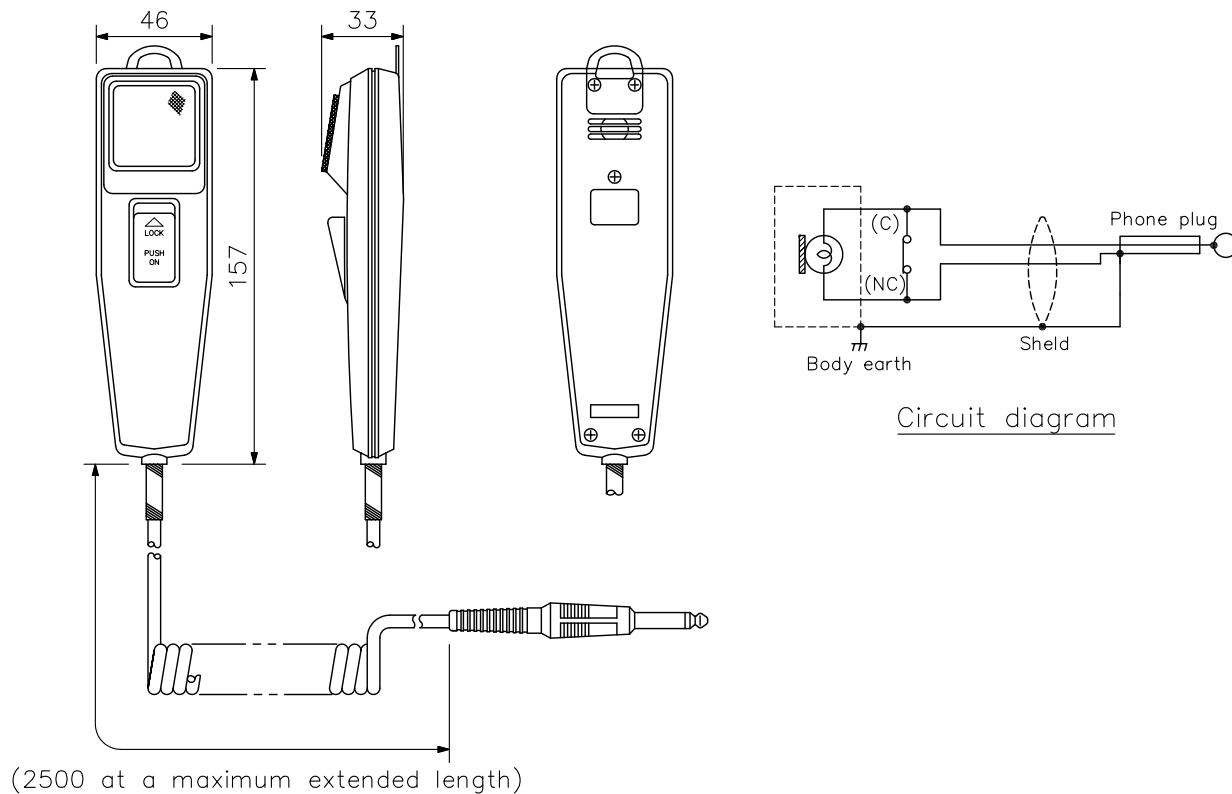
**DESCRIPTION**

The PM-120 is a dynamic and close talking microphone designed solely for paging applications.

**SPECIFICATIONS**

|                    |  |
|--------------------|--|
| Type               | Moving coil microphone   |
| Directivity        | Unidirectional   |
| Frequency Response | 50 Hz - 12 kHz (close-talking characteristic)                            |
| Rated Sensitivity  | -56 dB (1 kHz, 0 dB = 1 V/Pa)  |
| Rated Impedance    | 250 Ω, unbalanced  |
| Cable              | Coiled cable $\varnothing 6 \times 2.5$ m (at a maximum extended length) |
| Talk Switch        | Push-to-talk switch  |
| Finish             | Front: ABS resin, matte, champagne gold<br>Rear: ABS resin, matte, black |
| Weight             | 230 g  |
| Option             | Microphone hanger: 2202  |

Note: The microphone can be modified to the balanced type by changing a plug.

**APPEARANCE**


UNIT:mm SCALE:1/3