

■ DESCRIPTION

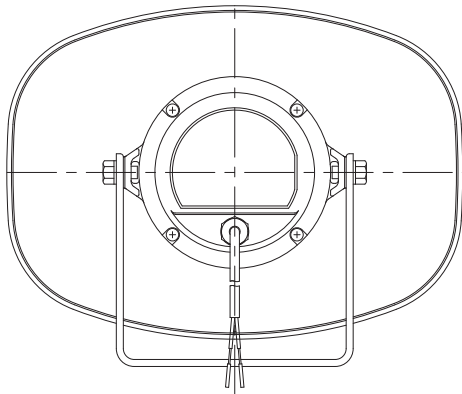
The SC-632 AS is a highly intelligible speaker suited to public address announcement applications. Its powder-coated finish and stainless steel screws ensure the unit's weatherproof capability.

■ SPECIFICATIONS

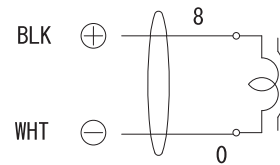
Rated Input	30 W (mobile mont used 15W)
Rated Impedance	8 Ω
Output Sound Pressure Level	113 dB (1 W, 1m at 500 ~ 2500 Hz peak level)
Frequency Response	250 - 10,000 Hz
Dust / Water Protection	IP65
Polarity	Hot: Black, Com: White
Operating Temperature	-20-C to +55-C (-4-F to 131-F) (must be free from dew condensation)
Sensitivity when used as microphone (0 dB= 1W)	74 dB at 1 kHz
Finish	Upper cover: Aluminum, White, powder coating Horn Flare: HIPS resin, White Reflector Horn, Unit case: ABS resin, White Speaker cable: Polyvinyl chloride insulated cabtyre cable (6 mm in diameter, 450 mm in length), White
Dimensions	292 (W) X 234 (H) x 280 (D) mm
Weight	1.8 kg
Option	Swivel bracket YS-151S (can be used instead of supplied bracket)

Note : Avoid installing the speaker in locations which vibrate considerably or under environments to oil contaminated.

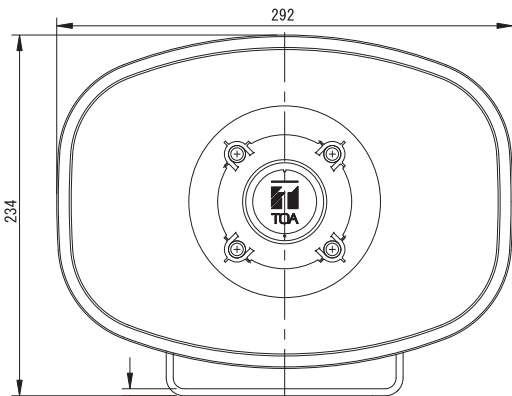
■ APPEARANCE



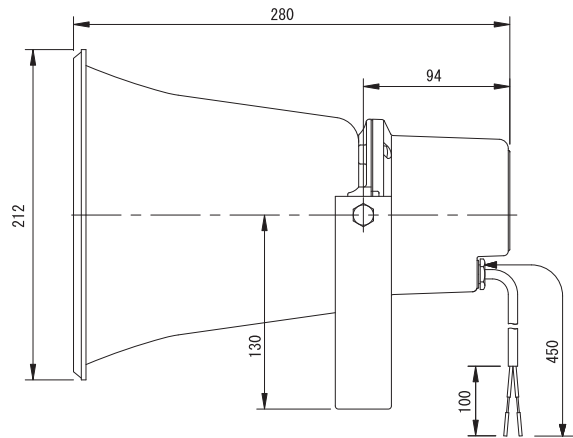
Rear View



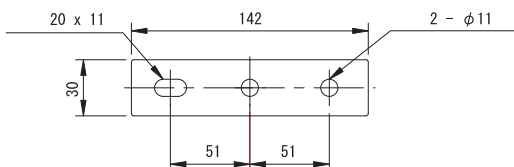
Wiring diagram



Front View



Side View



UNIT:mm SCALE:1/5