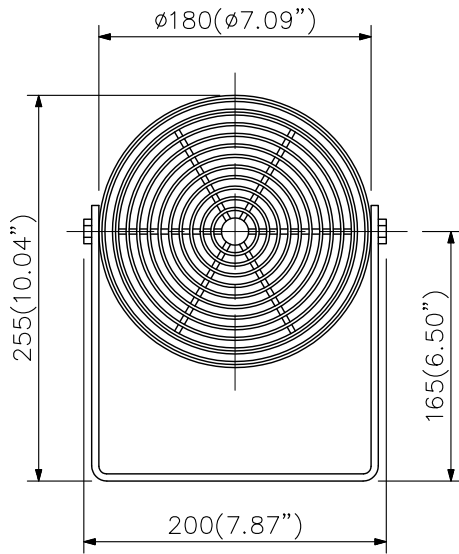


■ SPECIFICATIONS

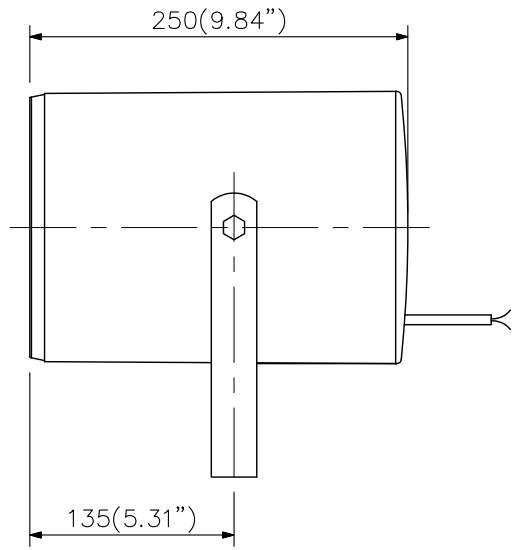
Rated Input	20 W (50 V, 70 V, 100 V Line)
Input Impedance	100 V Line : 500 Ω (20 W), 1 kΩ (10 W), 2 kΩ (5 W) 70 V Line : 250 Ω (20 W), 500 Ω (10 W), 1 kΩ (5 W), 2 kΩ (2.5W) 50 V Line : 125 Ω (20 W), 250 Ω (10 W), 500 Ω (5 W), 1 kΩ (2.5 W), 2 kΩ (1.25 W)
Preset Impedance	500 Ω
Sound Pressure Level	95 dB (1 m, 1 W) at 1 kHz
Speaker Component	16 cm
Frequency Respons	50 Hz – 20 kHz
Finish	Cabinet, Cover: ABS Resin, off-white Bracket: SPCC, off-white
Dimensions	200 (W) × 255 (H) × 250 (D) mm (7.87" × 10.04" × 9.84")
Weight	2.5 kg (5.51 lb)

Note: Avoid installing the speaker in locations which vibrate considerably, or under environments easy to be oil-contaminated.

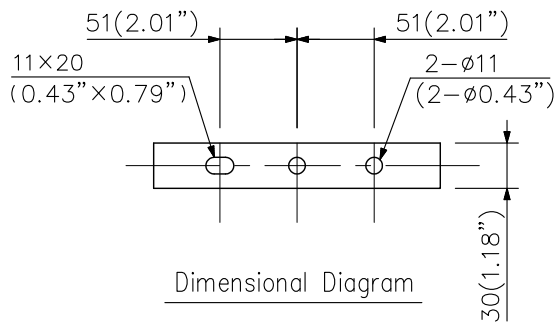
■ APPEARANCE



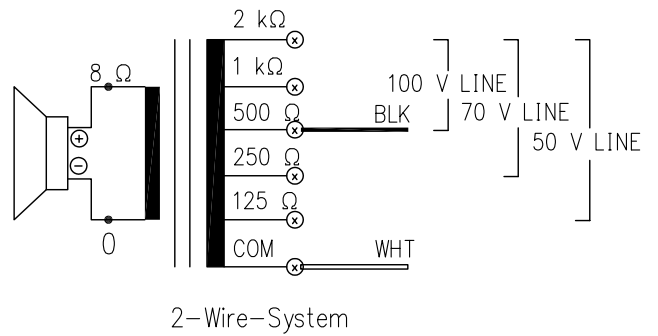
Front View



Side View



Dimensional Diagram



2-Wire-System

UNIT:mm SCALE:1/5