

Tiandy



TC-C34HS Spec: I3/E/C/M/2.8mm

4MP Starlight IR Turret Camera (2.8mm)

Lite Series



KEY FEATURES

- Full Metal Housing
- Up to 2560x1440@15fps
- S+265/H.265/H.264
- Min. illumination Color: 0.005Lux@F1.6
- Smart IR, IR Range: 30m
- Operating Conditions -35°~65°, 0~95% RH
- POE, IP66
- Intelligent Coding/Image/Alarm



Tiandy Technologies Co.,Ltd.

Email: sales@tiandy.com
Website: en.tiandy.com

Tel: +86-22-58596065
Fax: +86-22-58596048



SPECIFICATIONS

Camera	
Image Sensor	1/2.7" CMOS
Signal System	PAL/NTSC
Min. Illumination	Color: 0.005Lux@ (F1.6, ACG ON), B/W: 0Lux with IR
Shutter Time	1s to 1/100,000s
Day & Night	Dual IR Cut Filter with Auto Switch
Wide Dynamic Range	Digital WDR
Angle Adjustment	pan 0~340°, tilt 0~75°, roate 0~360°
Lens	
Lens Type	Fixed
Focus	2.8mm
Lens Mount	M12
Aperture	F1.6, Fixed
FOV	Horizontal field of view: 110.5°
Illuminator	
IR LEDs	1
IR Range	Up to 30m
Wavelength	850nm
White LEDs	N/A
Compression Standard	
Video Compression	S+265/H.265/H.264
Video Bit Rate	32 Kbps to 6 Mbps
Audio Compression	N/A
Audio Bit Rate	N/A
Image	
Max. Resolution	2560x1440
Main Stream	PAL: 25fps (2560×1440, 2304×1296, 1920×1080, 1280×960, 1280×720)
	NTSC: 25fps (2560×1440), 30fps (2304×1296, 1920×1080, 1280×960, 1280×720)
Sub Stream	PAL: 25fps (704×576, 704×288, 640×360, 352×288)
	NTSC: 30fps (704×480, 704×240, 640×360, 352×240)
Third Stream	N/A
Image Setting	Saturation, brightness, contrast, sharpness, adjustable by client software or web browser
Image Enhancement	BLC/3D DNR/HLC
ROI	N/A
OSD	16×16, 32×32, 48×48, adaptable size, Letters Such as Week, Date, Time, Total 1 Regions
Picture Overlay	N/A
Privace Mask	Yes
Smart Defog	Yes
Feature	
Alarm Trigger	Motion Detection/IP Conflict/MAC Conflict/Mask Alarm
Video Analytics	N/A



Early Warning(EW)	N/A
Intelligent Coding	Yes
Intelligent Image	Yes
Intelligent Alarm	Yes
Network	
Network Storage	N/A
Protocols	TCP/IP, ICMP, HTTP, HTTPS, DHCP, DNS, DDNS, MULTICAST, UPnP, FTP, IPV4, NTP, RTSP, SMTP, IGMP, QoS
System Compatibility	ONVIF (PROFILE S), SDK, P2P
Remote Connection	≤7
Client	Easy7, EasyLive
Web Version	Web5
Interface	
Communication Interface	1 RJ45 10M/ 100M self adaptive Ethernet port
Audio I/O	N/A
Alarm I/O	N/A
Reset Button	N/A
On-board storage	N/A
General	
Firmware Version	NVSS_V13.2.1.20190612
Web Client Language	11 languages English, Russian, Spanish, Korean, Italian, Turkish, Simple Chinese, Traditional Chinese, Thai, French, Polish
Operating Conditions	-35°C ~ 65°C, 0 ~ 95% RH
Power Supply	DC 12V±20%, PoE (802.3af)
Power Consumption	MAX: 5W(12V) MAX: 6W(POE)
Protection	IP66
Heater	N/A
Dimensions	Φ117×96 mm (Φ4.61×3.78 inch)
Weight	0.3Kg (0.66lb)

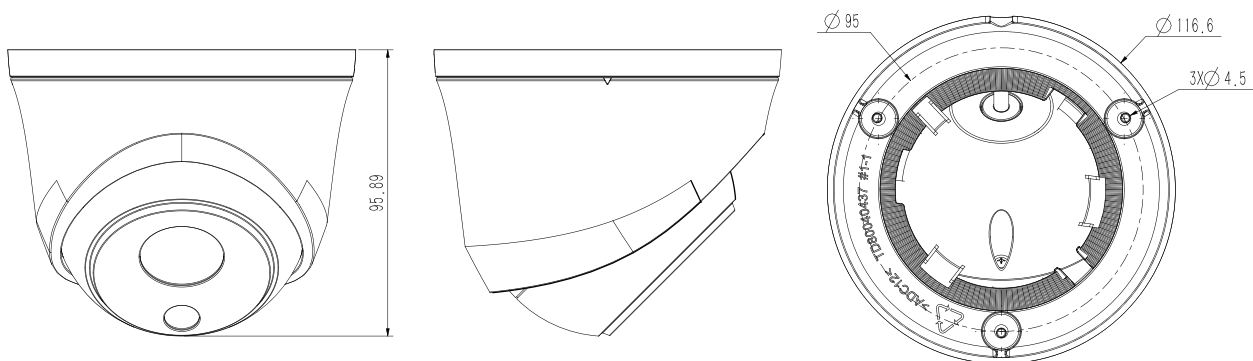
* Listed resolutions are only selectable options. It does not mean that all streams can work at their maximum resolution at the same time.

AVAILABLE MODEL

TC-C34HS SPEC: I3/E/C/M/2.8MM

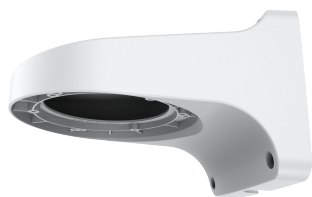
Tiandy

DIMENSIONS

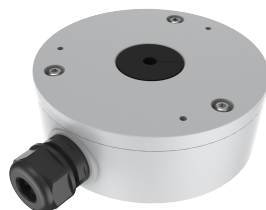


Unit: mm

ACCESSORIES



A29
WALL MOUNT



TC-P54BM SPEC: V5
JUNCTION BOX



A36
POLE MOUNT

DISTRIBUTED BY



Tiandy Technologies Co.,Ltd.

Email: sales@tiandy.com
Website: en.tiandy.com

Tel: +86-22-58596065
Fax: +86-22-58596048