

COMMAX

Overview



AUDIOPHONE TP-6RC/12RC INTER PHONE

Features

- Variable system composition (6 or 12 units)
- ID setting enabled with dip switch
- Effective calling to all units by paging function

Spec

▶ Power source	DC 12V, 200mA
▶ Mount type	Surface-mounted type
▶ Wiring	Common 4 wires
▶ Distance	500m(0.65Ø)
▶ Dimension(mm)	116(W)×208(H)×43(65)(D)

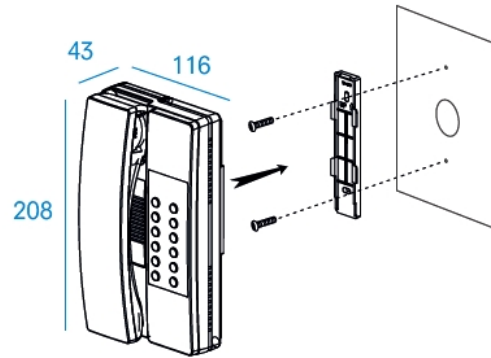
Function

- Door lock release(optional)
- Possible to use door phone by enabling DR-DW2N connection
- Calling & paging

Measurements/ Installation diagram/ Wiring diagram, etc.



Measurements



Connection products



TP-6RC/12RC
INTER PHONE



(462-120) 513-11 SANGDAEWON-DONG, JUNGWON-GU, SEONGNAM-SI, GYEONGGI-DO, KOREA
TEL : 82-31 - 731-8791~5 FAX : 82-31 - 731- 8796~7 E-MAIL : ischoi@commax.co.kr

COPYRIGHT (C) 2009 BY COMMAX.COM ALL RIGHTS RESERVED