



Ensuring Your
Peace of Mind.

SPECIFICATION

25 JUN 2020, V2

TTS730 Dual Lane Full Height Turnstile

WWW.MAG.COM.MY



TTS730 semi auto stainless steel dual lane full-height turnstile offer maximum access security control. Users are not able to crawl underneath or climb over to gain unauthorized access into premise. Full height turnstile can effective control single pass through each time. It is built with high quality material for advanced reliability and vandal resistance, suitable for outdoor usage with high people traffic environment. The semi auto turnstile operation is based on solenoid lock that allows blocking rotation direction.

TTS730 is suitable for indoor and outdoor application. They are optimized economical solution for factory, colleges, commercial building, stadium, game park, prison and etc. It is not suitable installed near sea side.

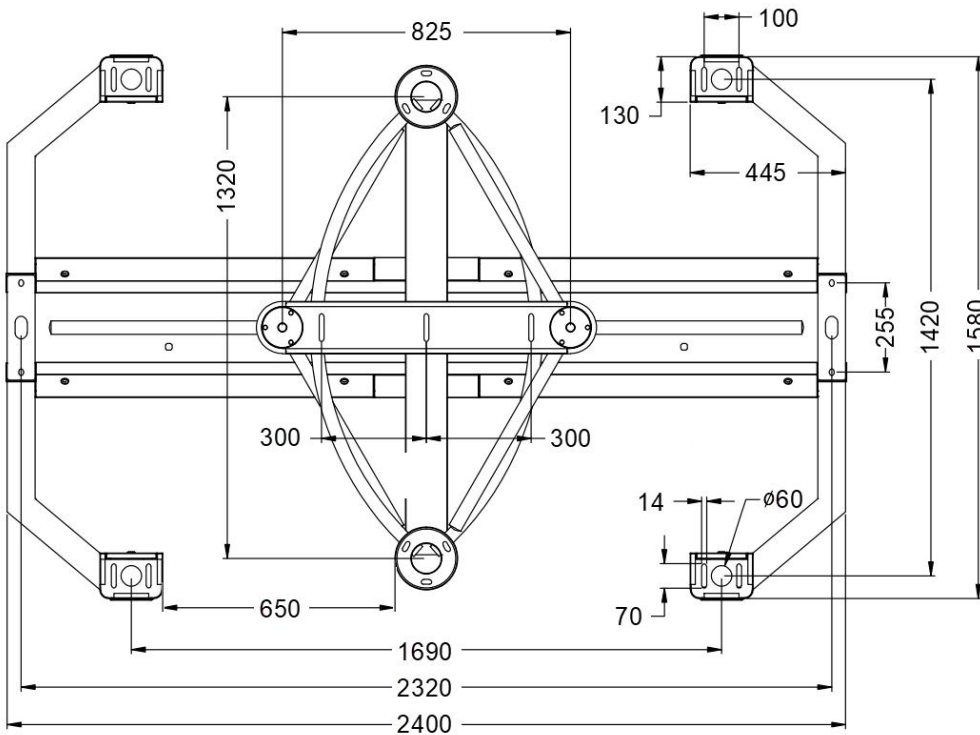
Features

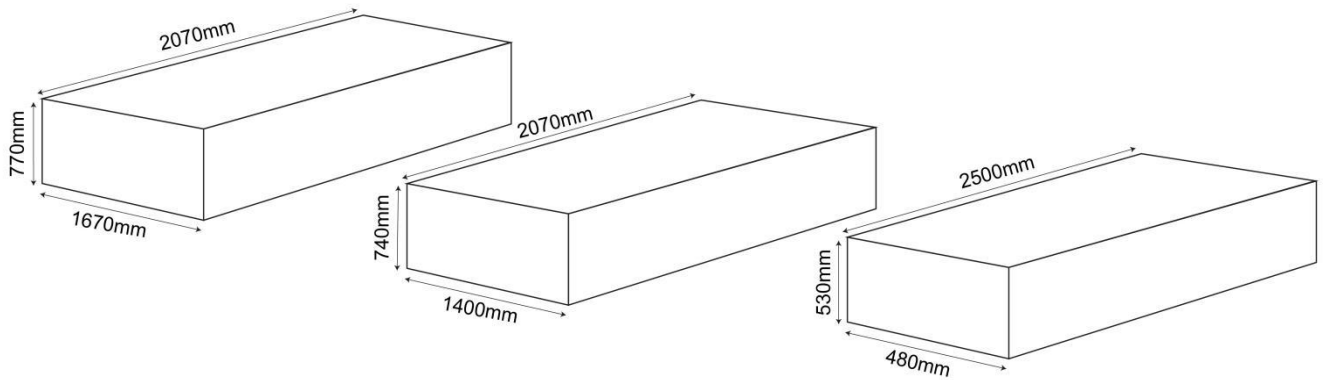
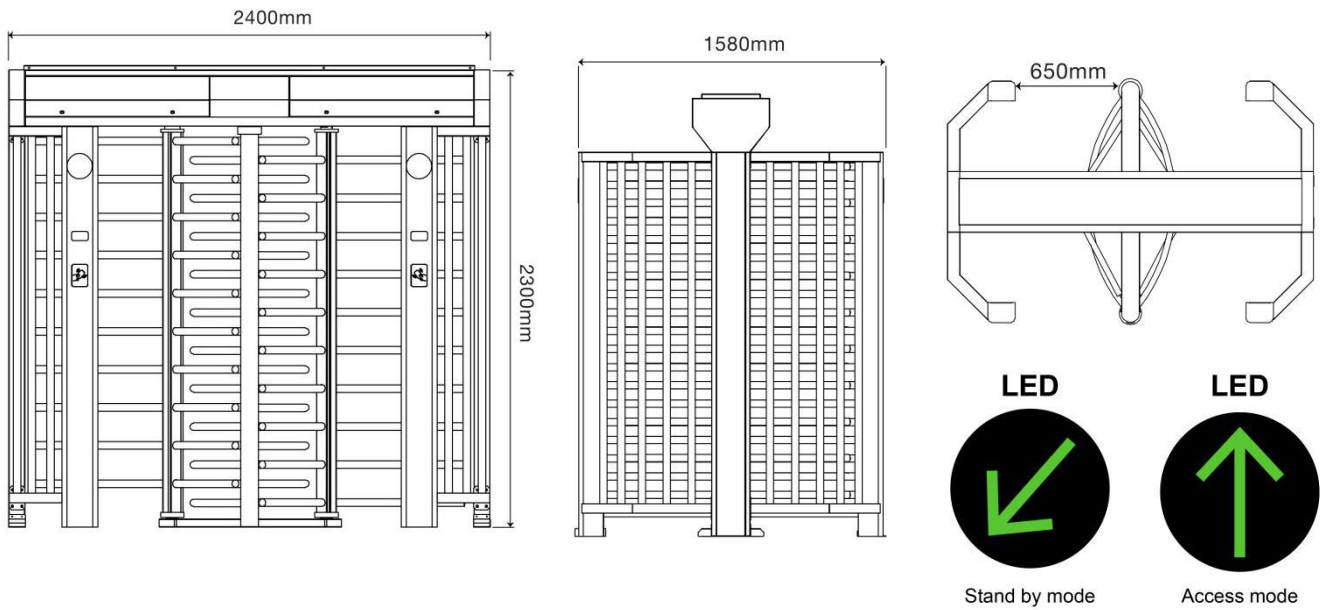
1. TTS730 design is optimized to accommodate limited space of site environment that require 2 lane traffic flow.
2. The LED light indicator make it convenient for users to know the passage direction. On standby mode, arrow is downward. Upon valid card, arrow will point to upward to indicate approved access. It can be configured to be bi-directional or uni-directional.
3. Easy integration with any third party access control or ticketing interface by external mounting or built-in.
4. The housing is made of high quality 304 stainless steel for long lasting and vandal resistance. Suitable for both indoor and outdoor environment.
5. Anti-reverse smart locking system to prevent unauthorized passed without access card by pushing through the arm. It only allows one person pass through at a time with passage rate of 15-20persons/min.
6. Gate can be configured to remain locked or unlocked during power failure. It has release key knob to manually unlock the arm during power failure.

Technical Parameters

Power Supply Input	AC 100V-240V, 50/60Hz
Power Voltage	DC 24V / 30watt
Open Signal	Passive signals (relay signals, dry contact signals)
Passage Width	≤650mm
Response Time	≤0.2s
Optimal Pass Speed	15-20 person/min
Arm Rotation Angle	90/120 degree
Working Environment	Indoor and outdoor with shading
Working Temperature	-25C°~+70°C
Humidity	0-95
IP Rating	IP 52
Operations time	≥5 million times
Housing / Arm Materials	304 Stainless Steel (brushed finish)
Housing dimension	2400mm (W) x 1580mm (L) x 2300mm (H)
Net weight	470kg

Dimension





© COPYRIGHT 2021. This documentation served as a reference only. It is subject to change without further notice. All the diagrams and information in this documentation may not be duplicated or modified in any form without the written approval from the management.