

User Manual of Multi-function Hydraulic Transfer Chair



RITZ
MEDICAL

CONTENTS

1 Overview	1
2 Scope of application	1
3 Precautions for safe use	1
4 Product specification, Component list	3
5 Performance , Features	5
6 Driving restrictions	5
7 Installation steps	5
8 Instructions for use	10
9 Maintenance and maintenance	12
10 Packing List	13
11 Storage conditions and methods	13
12 Production date, expiration date	13

1.Overview

This manual is applicable to multifunctional transfer chair DH01118(2), including information on safety precautions, function descriptions, and maintenance of various models.

The graphics in this manual are for user's reference only, please refer to the actual product in actual use.

2.Scope of application

This product is intended for disabled people, patients and the elderly and infirm. Used for transfer or commode function.


3.Precautions for safe use

- Be sure to read this "Precautions for Safe Use" carefully before use to operate correctly.
- In case do not follow the instructions in "Safety Precautions", the product may be damaged, user may be get injured.
- Operator should be read the usage of the manual before using it.
- Please do not allow children and person who do not know how to operation to operate the chair.
- Any part marked with "★"which is the optional parts.
- Any detail is related to safety, please be sure to follow. After reading the instruction manual, please put in a place where it can be seen at any time.

CAVEAT

1. Before use, must to check whether the components are complete and whether the components are firmly installed to ensure safe use.
2. Please adjust to a suitable height before use.
3. When the user sits in or leaves the chair, please do not stand on the foot pedal, firstly to fold up the foot pedal and step on the ground, or it is easy to tip the chair.
4. When using the transfer chair, make sure that the safety lock is locked.
5. Make sure wheels are locked when sits in or leaves the chair.
6. When the user is sitting in the chair and intent to take things in different directions (such as: front, sides, or backside), please pay attention to keep the body's straight without a big inclined angle, or the chair might be losing weight fall over.
7. Do not bend down below your knees to pick up objects on the ground.
8. When adjusting the height of the seat, the front wheels must be locked; the operator should control the height by step on the footrest of the pump.
9. Don't rely on inertia to make the chair rush up the stairs, when going up and down the stairs, operator should not move the user together with the chair.
10. The chair is suitable for moving on smooth ground; pay attention to avoid potholes and obstacles to avoid the danger of tipping over.
11. When the downhill slope is greater than 5 degrees, operator should turn the chair backwards, while carefully confirmation, go downhill in a backward manner. If the user is going down the slope facing forward, it may cause the user to lean forward and fall.
12. All the wheels must be locked when staying on a sloped ground.
13. The brakes on the wheels only for braking when parking. They are not braking devices and should not be used for deceleration and braking while moving.

4. Product specifications, components list

<p>Specification</p> <p>Model /specification</p>	
<p>length</p>	<p>770mm</p>
<p>width</p>	<p>590mm</p>
<p>height</p>	<p>910-1170mm</p>
<p>Front wheel</p>	<p>5 inches</p>
<p>Rear wheel</p>	<p>3 inches</p>
<p>Seat width</p>	<p>460mm</p>
<p>Seat depth</p>	<p>400mm</p>
<p>Seat height above ground</p>	<p>440-700mm</p>
<p>net weight</p>	<p>32kg</p>
<p>weight capacity</p>	<p>100kg</p>

This product is composed of base, left seat frame, right seat frame, commode, 5-inch front wheels, 3-inch rear wheels, foot pedal, seat cushion, handles, hydraulic pump. The main material is welded with high-strength steel tubes.



- 1 - 5-inch front wheel
- 2- Foot pedal
- 3 – Rear wheel tube
- 4 - 3-Inch front wheel
- 5 – Vertical tube
- 6 – Commode
- 7 – Seat cushion
- 8 - Left seat frame
- 9 - Right seat frame
- 10 –Handle
- 11 –Hydraulic pump

*The graphics in this manual are for user's reference only, please refer to the actual product in actual use.

5.Performance, features

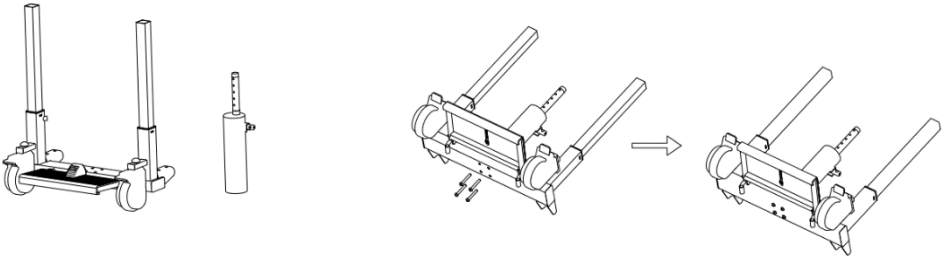
- For people with mobility difficulties to shift from chair to sofa, bed, washing room, etc.
- Large opening and closing design make it convenient for the operator to support the user from below and prevent the operator's waist from being damaged.
- The maximum load is 100KG.
- Stepless adjustment seat height, suitable for different furniture and device.
- Lifting by hydraulic pump, uprising and declining by foot control, easy to operate.
- Medical wheels with brake, noiseless and durable.
- Clip-type lock on the back of seat cushion, fixed T shape tube to guarantee safety.
- Comfortable seat cushion with the seat jacket can be removed and washed.
- Quick-release design of the vertical tubes, makes it easy to move the chair and expand moving range.

6.Driving restrictions

The transfer chair is suitable for indoor use, with a driving speed of ≤ 3 km/h.

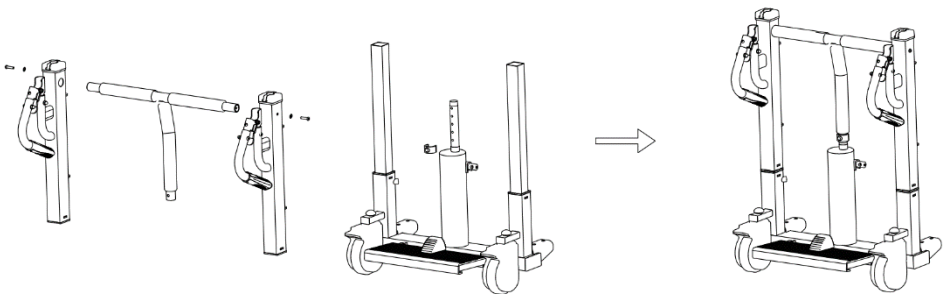
7.Installation steps

1.Take out the bottom frame and hydraulic pump, put the frame flat on the workbench (or put on the place with a soft cloth), then hold the hydraulic pump in one hand, take 4PCS M8*55 semi-round hexagon screws through the holes in the chassis to the positive hydraulic pump holes, and lock the screws with no. 5 hexagon wrench.

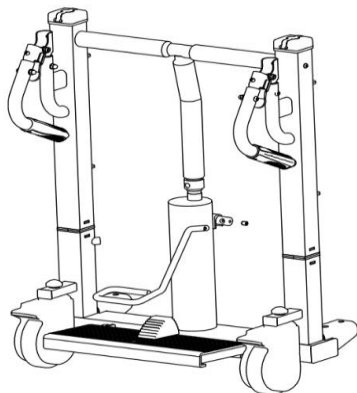


2. After installed the hydraulic pump and straighten the frame, take out the "T" shape tube bar, left and right vertical tube, as shown in the figure, fix the hydraulic lifting frame on the positive hole, take 1 M6*30 semi-round hexagon screw and $\phi 6$ iron gasket into the corresponding hole on the left vertical tube, the right vertical tube in the same way, lock the screw with no. 4 hexagon wrench.

As shown in the figure, the installed lifting frame to the positive column is synchronously mounted on the frame, the hydraulic lifting frame to the positive hydraulic pump, adjust to the required hydraulic pump hole position, take the $\phi 25$ bolt through the hydraulic pump hole fixed.



3. Take out the footrest of the hydraulic pump, insert into the position of the positive hydraulic pump, lock the screw on the hydraulic pump in place with no.4 hexagon wrench (the screw shown in the figure is only for reference), in fact screw is locked on the hydraulic pump and not taken out), and check that the footrest of the hydraulic pump is not loose.

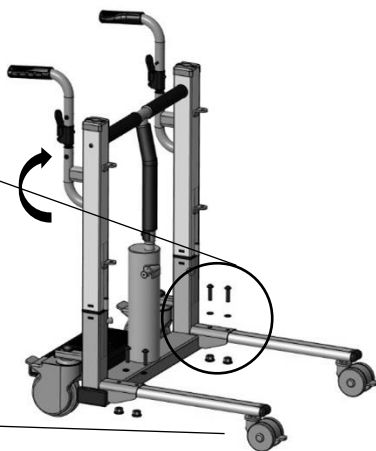
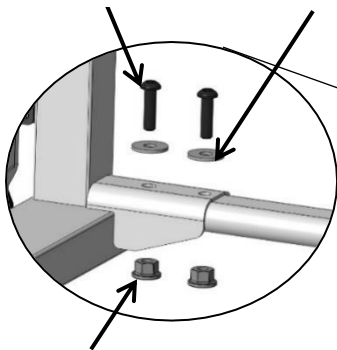


4. Place the rear wheel tube under the clamping slot of the base, fix it with 4PCS M10 screws, M10 flat mat, M10 flat mat and M10 locknut step by step, as shown in the figure below:

M10

M10

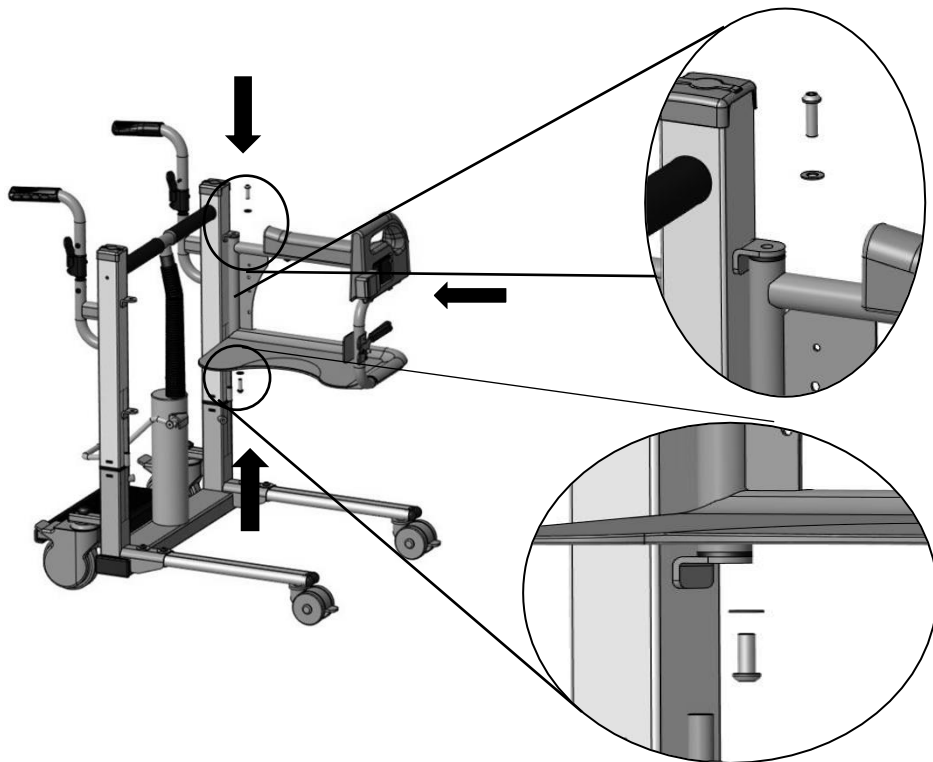
flat



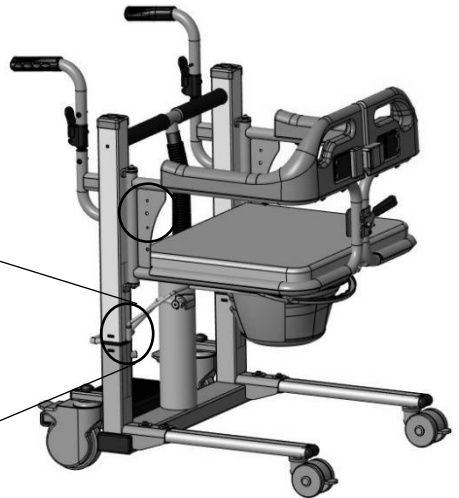
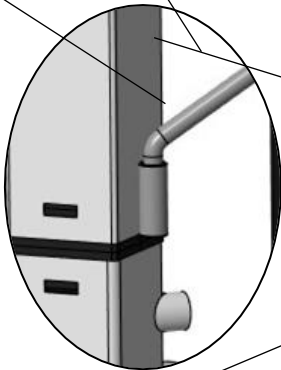
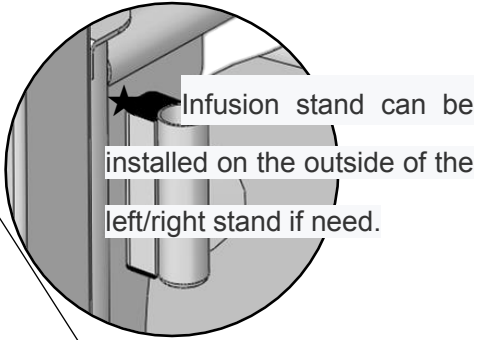
M10

5. Place the right seat frame in the center of the two brackets of the right vertical tube of the

base, put M8 screw and the meson through the brackets at both ends one by one, and lock them (as shown in the figure below). After installation and debugging, the seat frame does not loosen and can rotate flexibly (the left seat frame is installed in the same way).



6. For commode, first to install the shelf frame into the mounting brackets, then put the commode from backside, as shown in the following figure.



8. Instructions for users

*As example, transfer user from the seat to the bed to explain the

operation steps, other furniture and devices as the same.

1.The user sits upright and adjust the height of the chair seat frame so that the bottom of the seat frame is slightly higher than the seat;



2.Open the seat frame on both sides and move it to the front of the user. Adjust the position of the chair so that the user's body center of gravity is at the center of the seat frame. Adjust the height of the seat frame again so that the bottom of the seat frame slightly touches the seat plane.



3.Lock the brake on front wheel, lift the user's foot, and place it on the foot pedal;

4.Let the user tilt the body slightly from side to side in turn, and at the same time, the operator turns the corresponding side frame to let the user sit in the left and right frame of the transfer chair in sequence;

5.When the user sits on the seat frame completely, the left and right seat frames are completely closed, the safety lock is automatically locked, and the operator locks;



6.The user should adjust the comfortable sitting position and grasp the front rail with both hands;



7.Operator checks the distance between the bottom surface and seat frame, elevating the seat frame by 2~3 centimeters, release front wheel brake, slowly moving the chair from the seat;

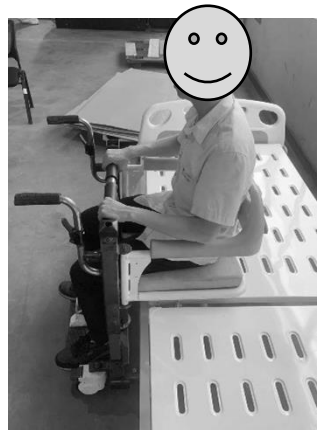
8.Operator pushes the chair from the back to the edge of the bed;

9.Check the seat frame height of the chair at the edge of the bed to ensure that the bottom of the seat frame is slightly higher than the bed surface (if the height of the seat frame needs to be adjusted, the front wheel must be locked before operation)

10.The operator completely pushed the chair to the desired location of the bed, lock the front wheel by brake, then adjust the height of the seat frame again, so that the bottom of the seat frame slightly touched the bed surface;

11.Release safety lock on the back of the chair, slowly open the left and right seat frame, so that the user can sit on the bed completely;

12.Operator release front wheel and lifts the user's feet to remove the chair from the bed.

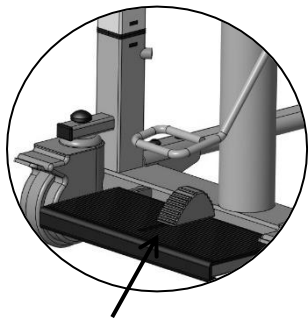


★ **Note:**

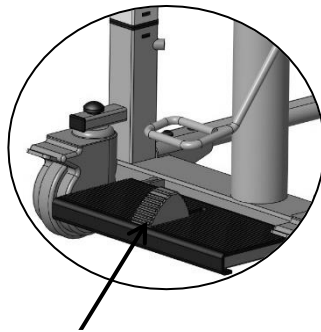
The foot control should be used with the limit control block.

When control block towards inside, keep on step on the foot control to uprising;

when on outside, the foot control keeps stepping to the bottom and controls the descent.

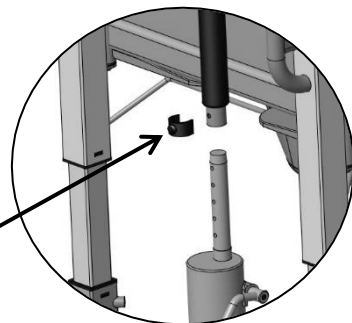


control block inside



control block outside

★ adjustable height of hydraulic pump is control by clip.



Clip

9.Maintenance and maintenance methods

- Do not scratch the surface with hard objects to prevent material damage;
- Use neutral synthetic detergent, wipe with a damp cloth, then wipe with a dry cloth;
- Do not contact with strong acid and alkali to prevent corrosion.
- Regularly check for loose nuts and screws, damaged or broken parts, and replace damaged parts if necessary.

10.Packing List

After opening the packing box, please confirm the following parts and accessories:

No	Name	Specification	Qty
1	Base	Set	1
2	Footrest	Set	2
3	Left seat frame with backrest	Set	1
4	Right seat frame with backrest	Set	1
5	Commode	Set	1
6	Bucket wire rack	Piece	1
7	Seat cushion	Piece	1
8	tool kit	Set	1
9	Screw accessories	Set	1
10	Instruction manual	Piece	1

11.Storage conditions and methods

The packaged products should be stored in a room with a temperature not exceeding -0°C ~-40°C, a relative humidity not exceeding 80%, no corrosive gas and a well-ventilated and clean room. Should be protected from moisture, heat sources during transportation.

12. Production date, expiration date

13. Production date: See "Product Certificate".

Term of use: The product has a normal service life of 3 years from the date of delivery

RITZ MEDICAL SDN BHD (371429-A)

Suite 918 Block B2 , Pusat Dagang Setia Jaya, 9 Jalan PSJ8/9 ,
46150 Petaling Jaya, Selangor, Malaysia
Tel: 603-7877 0377 Fax:603-7877 0378

www.ritzmedical.com