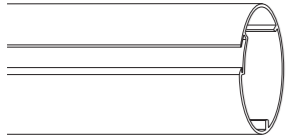
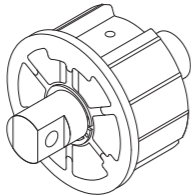
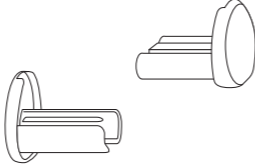
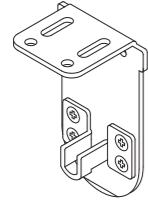

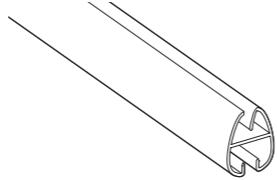
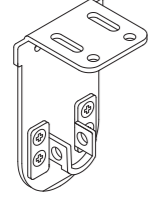

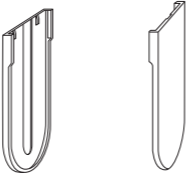
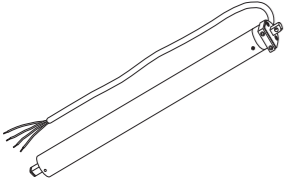
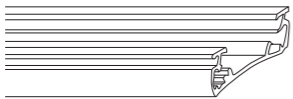

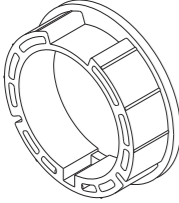
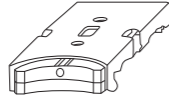

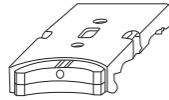


ATF35-RB Parts

Product Name	Product Code	Product Name	Product Code	Product Name	Product Code
ATF35 Roller Pipe ø 50 2000 mm 	60230575	ATF35 Pipe End Bearing 	01680101	MT03 Weight Bar Cap White 	01030265
ATF35 Motor Side Bracket 	01680104	Split Pin 	63570003	MT03 Weight Bar White 2730 mm 	61950023
ATF35 End Side Bracket 	01680102	Retaining Ring 	65230019	MT01 Side Cover L 	01030234
ATF35 Tubular Motor 	61920103	MT03 Set Bar T2 White 2730 mm 	60260013	Tapping Screw 3 x 10 	63200070
ATF35 Limit Crown 	01680103	MT03 Bracket N (2 pcs) 	60680155		
ATF35 Drive 	01680100	MT03 Bracket N (3 pcs) 	60680156		

Motorized Roller Blind
ATF35-RB



- Exceptionally compact motorized roller blind.
- Two installation options are available: a neatly-fixed option without a set bar or an easy-to-install option with a Mytec 03 set bar.

ATF35-RB's Unique Features

This compact design motorized roller blind offers a variety of uses: from commercial to home.

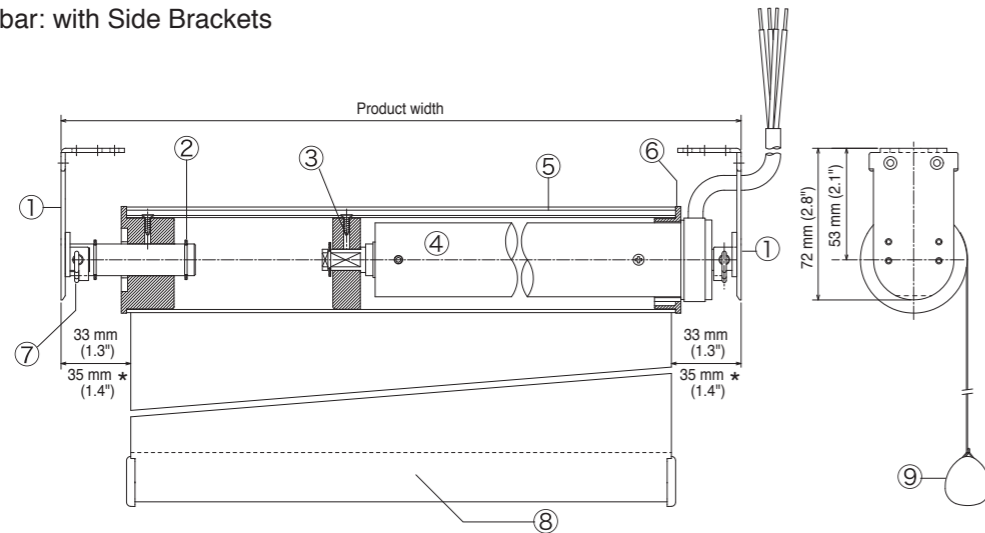
Easy Snap Bracket is available for easy installation and removal.

ATF 35 tubular realizes a quiet operation.

At the Set bar type, the chink between Side Brackets and a screen is small.

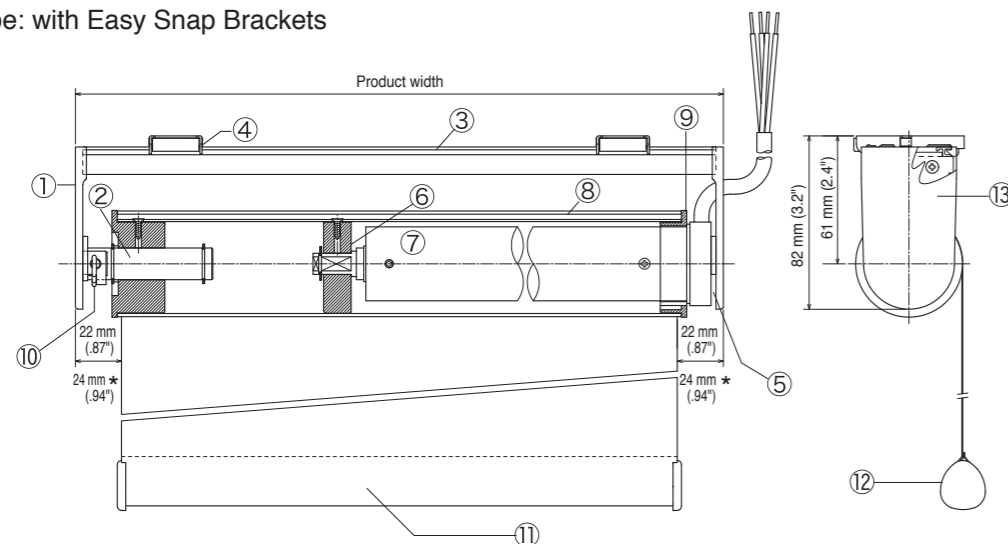
Structure Drawing

Non set bar: with Side Brackets



* Dimensions for the ratio of the width and height is 1 : 3 or more.

Set bar type: with Easy Snap Brackets



* Dimensions for the ratio of the width and height is 1 : 3 or more.

Components and Materials

Non set bar: with Side Brackets

No.	Components	Material
①	ATF35 End Side Bracket	Stainless steel
②	ATF35 Pipe End Bearing	Polyacetal resin
③	ATF35 Drive	Polyacetal resin
④	ATF35 Tubular Motor	—
⑤	ATF35 Roller Pipe ϕ 50	Aluminum
⑥	ATF35 Limit Crown	Polyacetal resin
⑦	Split Pin	Steel
⑧	Weight Bar	Aluminum
⑨	MT03 Weight Bar Cap	Polyethylene resin

Set bar type: with Easy Snap Brackets

No.	Components	Material
①	ATF35 End Side Bracket	Stainless steel
②	ATF35 Pipe End Bearing	Polyacetal resin
③	MT03 Set Bar T2	Aluminum
④	MT03 Bracket N	Steel
⑤	ATF35 Motor Side Bracket	Stainless steel
⑥	ATF35 Drive	Polyacetal resin
⑦	ATF35 Tubular Motor	—
⑧	ATF35 Roller Pipe ϕ 50	Aluminum
⑨	ATF35 Limit Crown	Polyacetal resin
⑩	Split Pin	Steel
⑪	Weight Bar	Aluminum
⑫	MT03 Weight Bar Cap	Polyethylene resin
⑬	MT01 Side Cover L	AES resin

Motor Specifications

Power Source Voltage	V	AC220-230 \pm 10%
Frequency	Hz	50 / 60
Current	A	0.53
Power Consumption	W	121

Rated Torque	Nm	3
Rated RPM	rpm	23.5/27
Rated Running Time	min	4
Ambient Temperature	$^{\circ}$ C	-10-40

Allowable Size

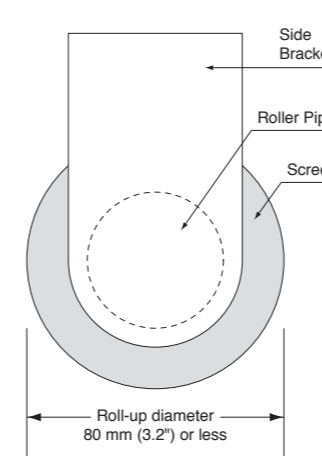
Width	800-2000 mm (31-79")
Height	800-4500 mm (31-177")
Max Surface area	9 m ² (11 yd ²)

Product Weight

4.0 kg (8.8 lb)
(width: 2000 mm/79" without screen)

*Maximum screen weight is different by the screen fabric. Please refer to "Typical Roll-up Diameter" and Rated Torque.

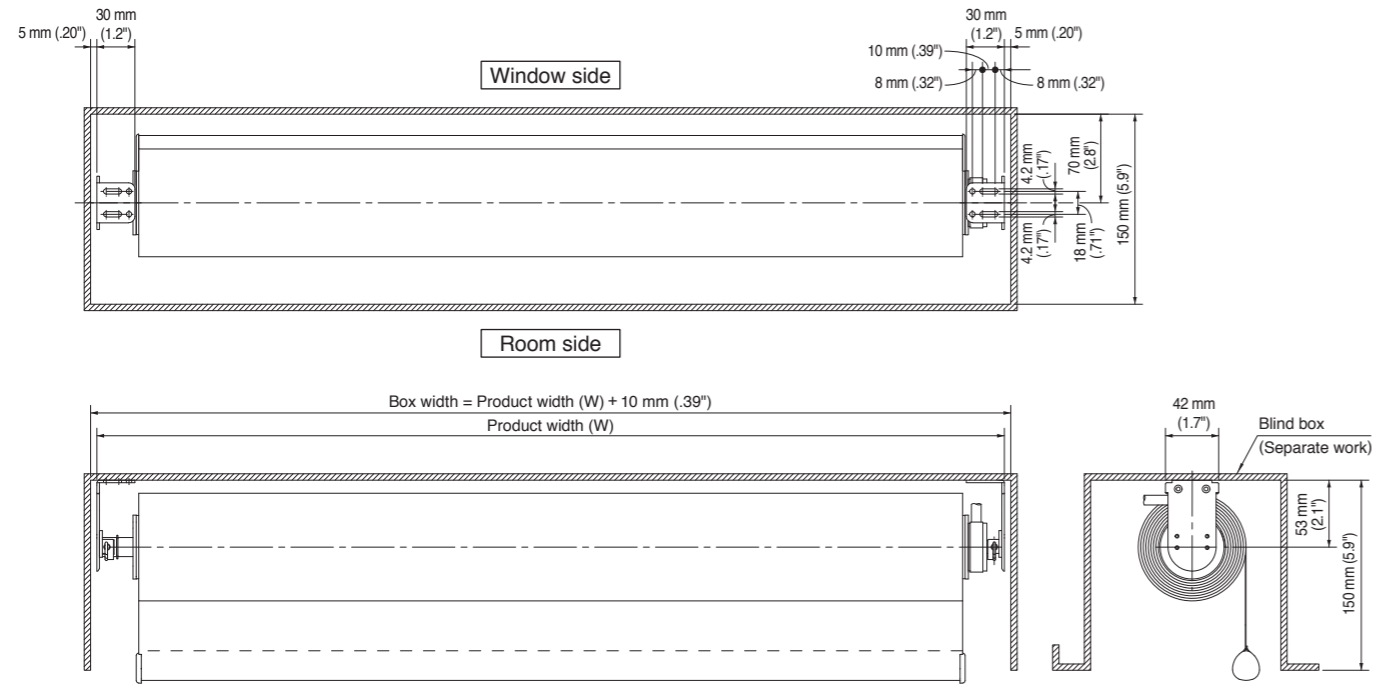
Typical Roll-up Diameter



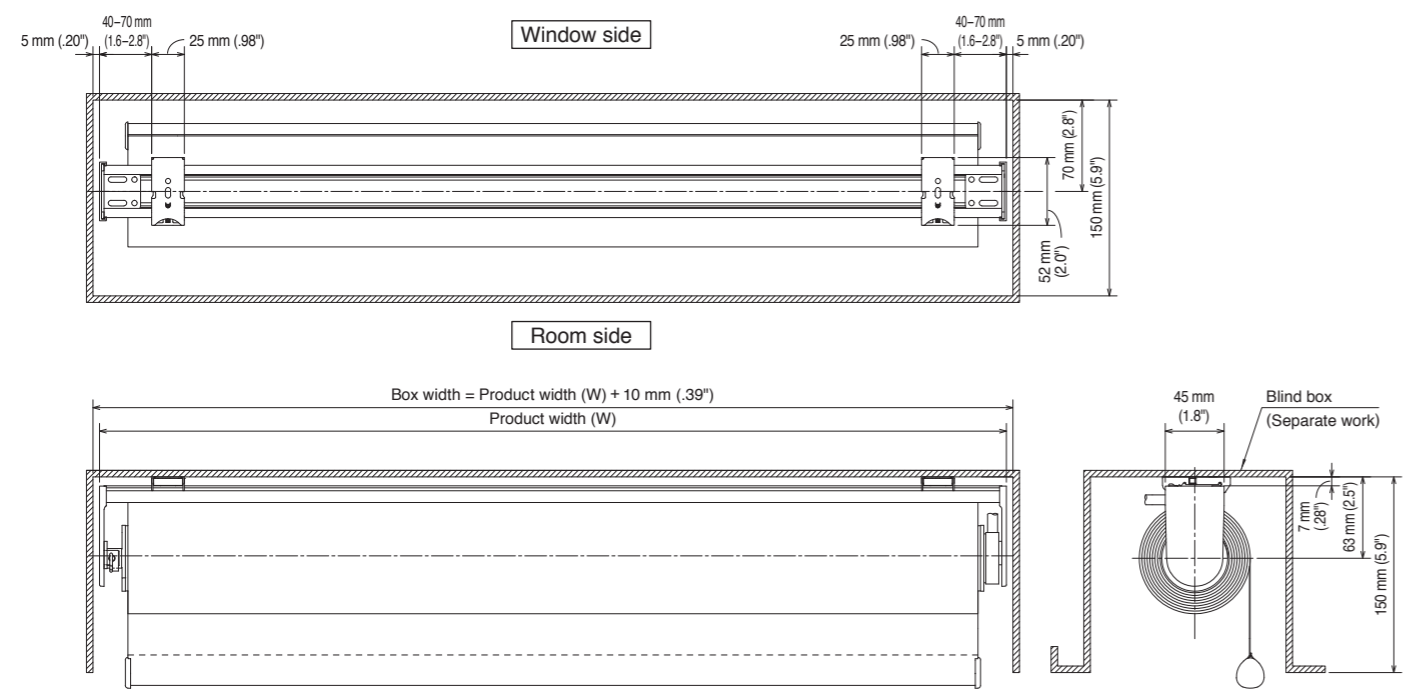
Thickness	Height	500 mm	1000 mm	1500 mm	2000 mm	2500 mm	3000 mm	3500 mm	4000 mm	4500 mm
		(20")	(39")	(59")	(79")	(98")	(118")	(138")	(158")	(177")
0.1 mm	Roll-up diameter	44	45	46	47	47	48	49	49	50
	Number of rolling	7	11	14	18	21	25	28	31	34
0.2 mm	Roll-up diameter	46	47	49	50	51	52	54	55	56
	Number of rolling	7	11	14	17	20	23	26	29	32
0.3 mm	Roll-up diameter	47	49	51	53	55	56	58	60	61
	Number of rolling	7	10	14	17	20	22	25	28	31
0.4 mm	Roll-up diameter	49	51	54	56	58	60	62	64	66
	Number of rolling	7	10	13	16	19	22	24	27	29
0.5 mm	Roll-up diameter	50	53	56	59	61	64	66	69	71
	Number of rolling	7	10	13	16	18	21	23	26	28
0.6 mm	Roll-up diameter	51	55	58	61	64	67	70	73	75
	Number of rolling	7	10	13	15	18	20	23	25	27
0.7 mm	Roll-up diameter	52	56	60	64	67	70	74	77	79
	Number of rolling	7	10	12	15	17	20	22	24	26
0.8 mm	Roll-up diameter	54	58	62	66	70	74	77	--	--
	Number of rolling	7	9	12	15	17	19	21	--	--

Overall Structure Drawing

ATF35-RB attachment with Side Brackets



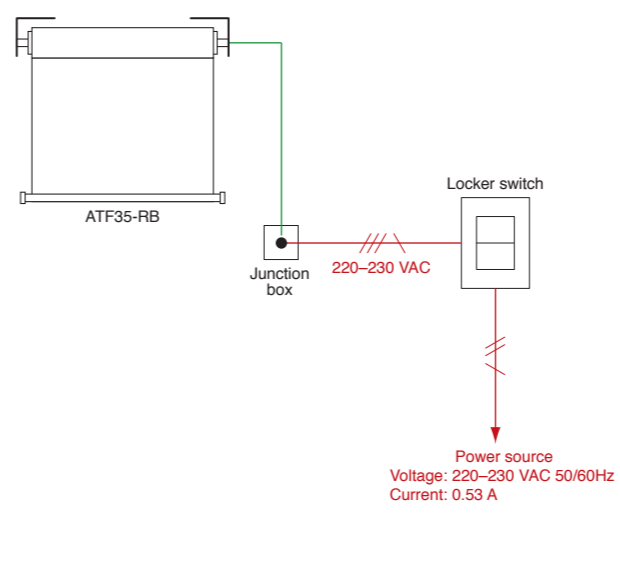
ATF35-RB attachment with Easy Snap Brackets



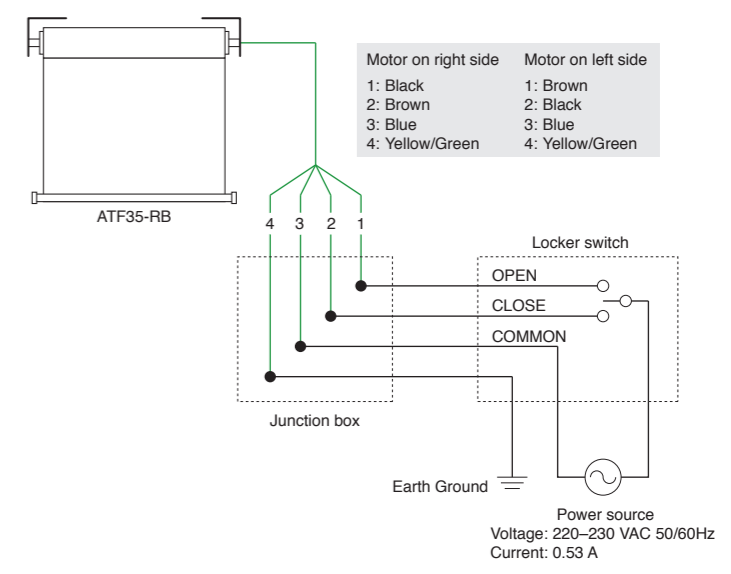
Basic Wiring and Connecting Diagram

Single Operation

Basic Wiring Diagram

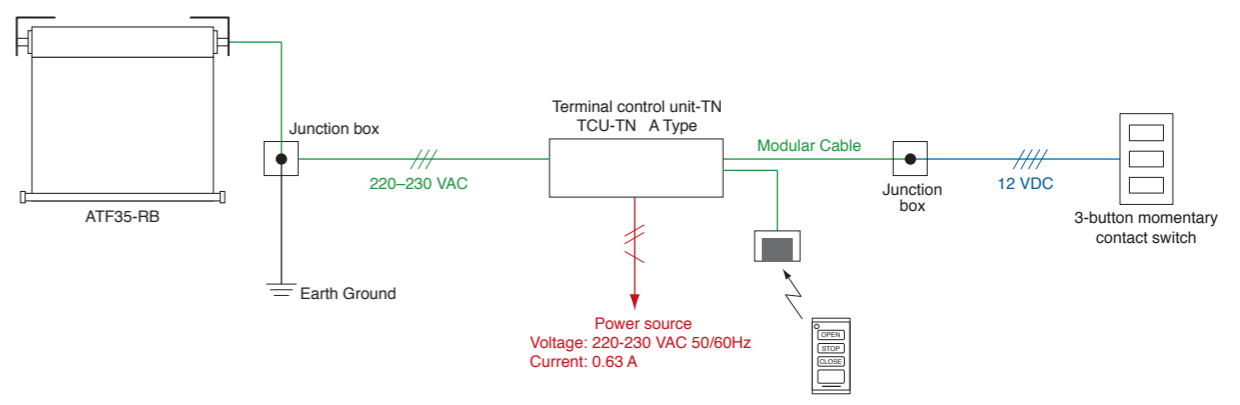


Basic Connecting Diagram

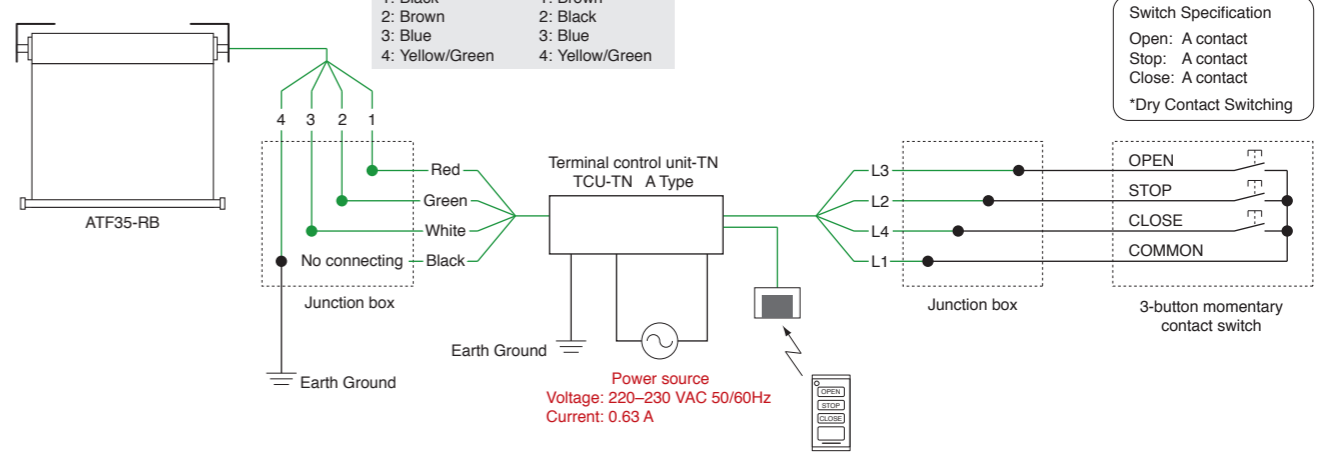


IR Remote Operation

Basic Wiring Diagram



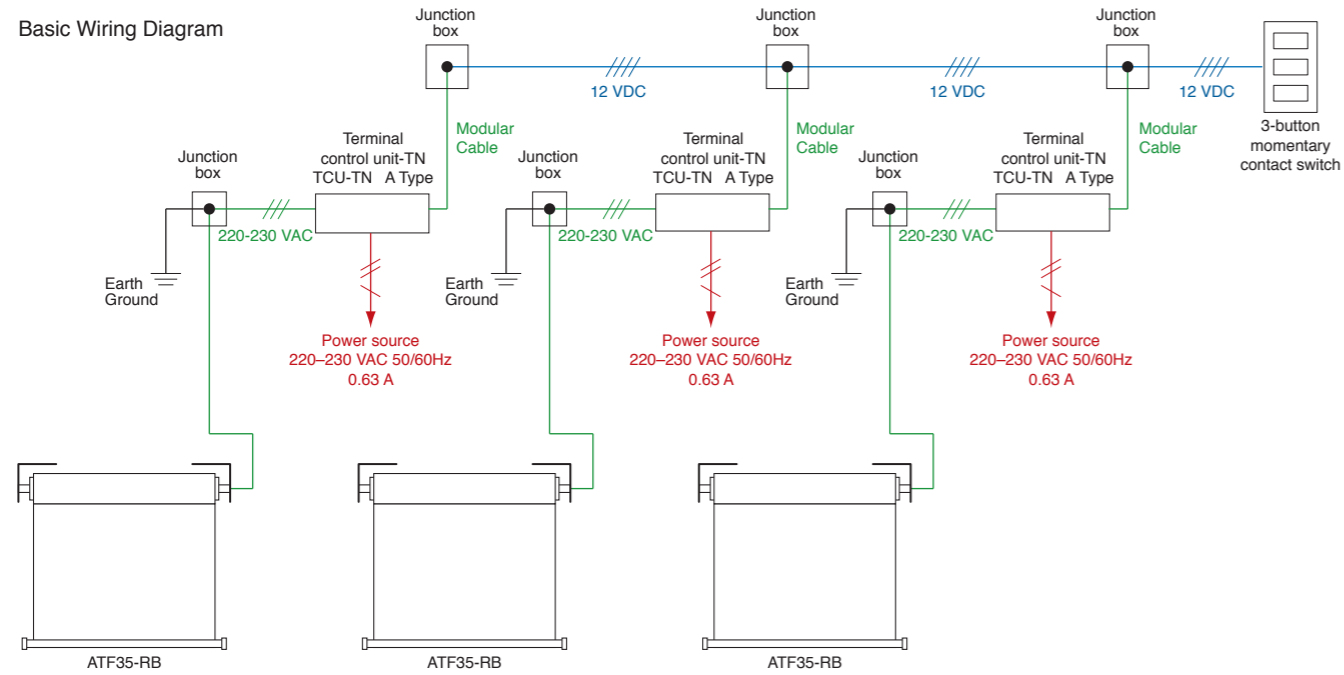
Basic Connecting Diagram



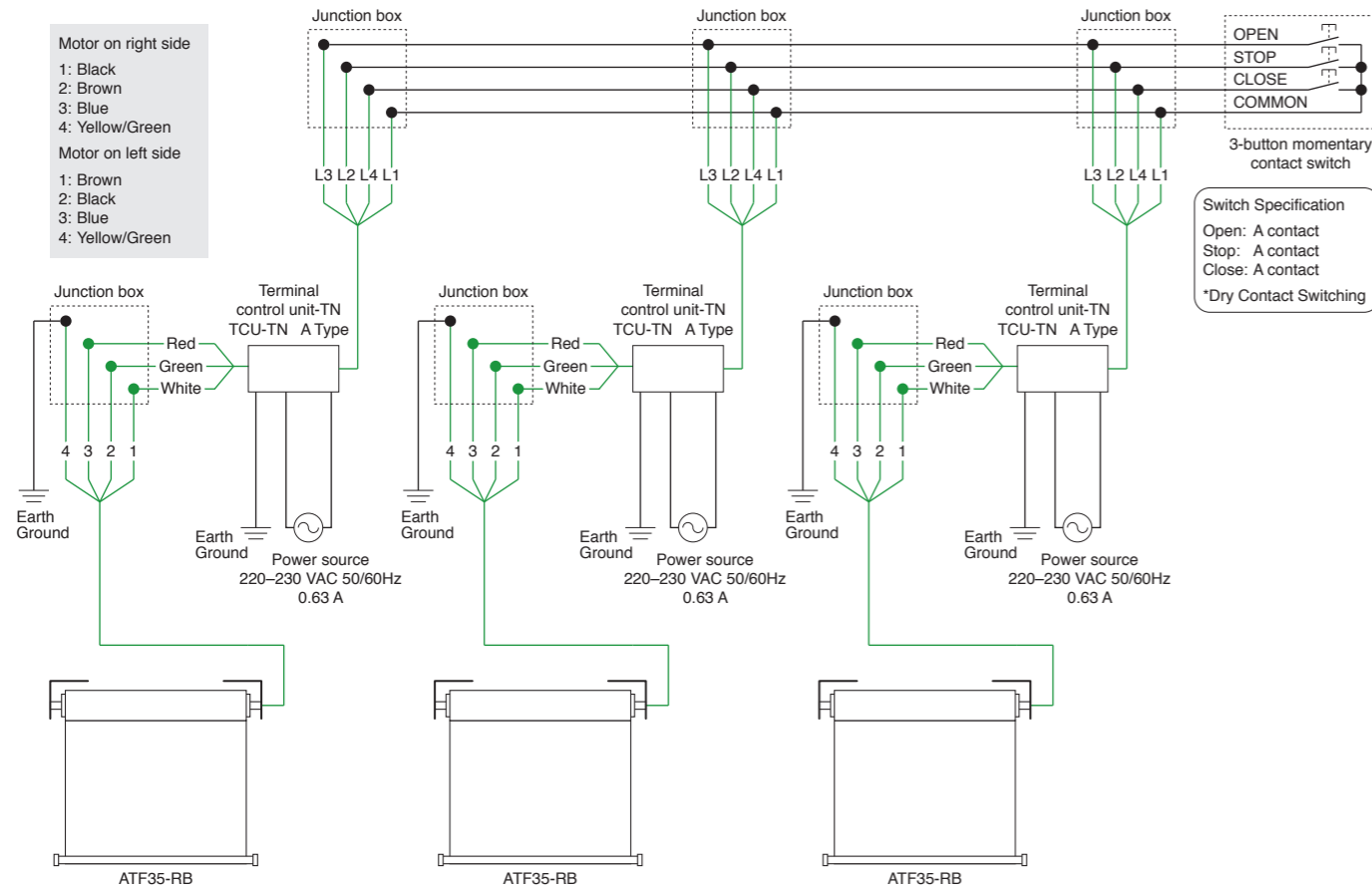
Explanatory notes: — Power supply, — Low voltage control line, — Main body attachment or TOSO standard

Simultaneous Operation

Basic Wiring Diagram



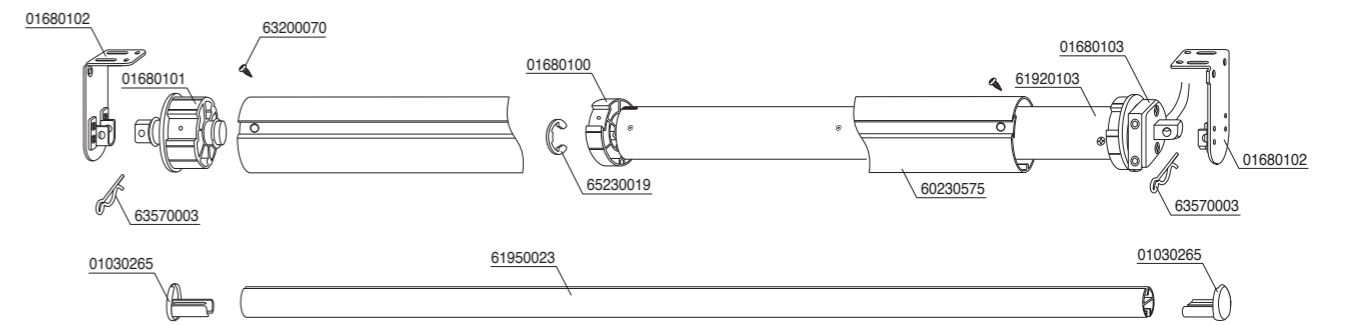
Basic Connecting Diagram



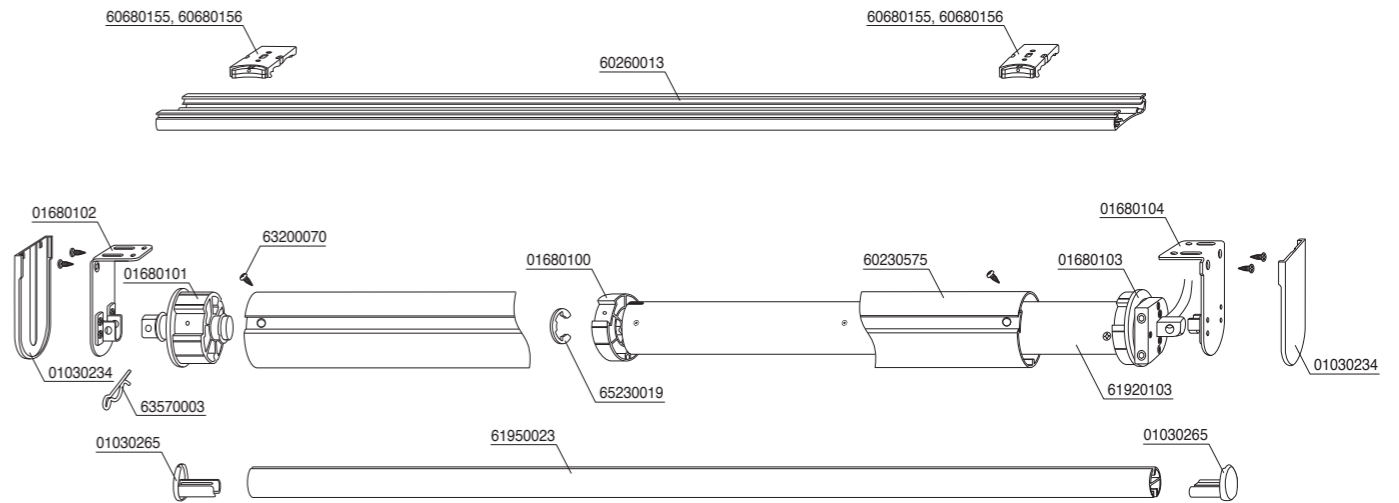
Explanatory notes: — Power supply, — Low voltage control line, — Main body attachment or TOSO standard

Exploded View

Non set bar type: with Side Brackets



Set bar type: with Click-in Brackets



Parts and Components

Item No.	Product Name	Non set bar type: with Side Bracket	Set bar type: with Click-in Bracket
61920103	ATF35 Tubular Motor	1 pc	1 pc
01680103	ATF35 Limit Crown	1 pc	1 pc
01680100	ATF35 Drive	1 pc	1 pc
01680101	ATF35 Pipe End Bearing	1 pc	1 pc
60230575	ATF35 Roller Pipe ø 50 2000 mm (79")	W-62 mm (2.4")	W-40 mm (1.6")
01680104	ATF35 Motor Side Bracket	—	1 pcs
01680102	ATF35 End Side Bracket	2 pcs	1 pcs
60260013	MT03 Set Bar T2 White 2730 mm (108")	—	W-7 mm (.28")
60680155	MT03 Bracket N (2 pcs)	—	Up to W1000 mm (39"): 1 set
60680156	MT03 Bracket N (3 pcs)	—	W1010 mm (40") or over: 1 set
01030265	MT03 Weight Bar Cap White	2 pcs	2 pcs
61950023	MT03 Weight Bar White 2730 mm (108")	W-65 mm (2.6")	W-43 mm (1.7")
63570003	Split Pin	1 pc	2 pcs
65230019	Retaining Ring	1 pc	1 pc
63200070	Tapping Screw 3 x 10	6 pcs	6 pcs
01030234	MT01 Side Cover L	—	2 pcs