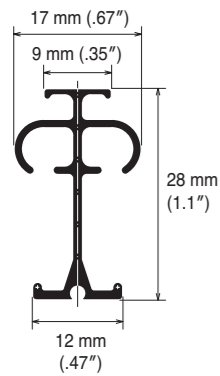


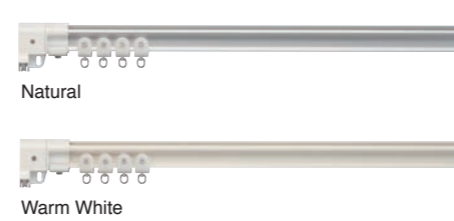
Super Selfie Rails



Super Selfie Cord Draw Rails

| Size | Product Code | |
|---------------|--------------|------------|
| | Natural | Warm White |
| 2.00 m (79") | 30000833 | 30000830 |
| 3.00 m (118") | 30000834 | 30000831 |
| 4.00 m (157") | 30000835 | 30000832 |

Color Lineup



Super Selfie Cord Draw



Super Selfie Cord Draw Parts

| Product Name | Product Code | Product Name | Product Code | Product Name | Product Code | |
|---|--------------|--|--------------|--|--------------|-------------------------------|
| Super Selfie Roller | 03700007 | Super Selfie Cord Draw One-way Master Roller (R) | 30000839 | Selfie Ceiling Single Bracket | Natural | 02330114 |
| Super Selfie Magnet Carrier | 03700008 | | | | Warm White | 02330008 |
| Super Selfie One-way Magnet Carrier | 03700009 | | | Super Selfie Cord Draw One-way Master Roller (L) | 30000840 | Selfie Ceiling Double Bracket |
| Super Selfie Cord Draw One-way Pilot Roller | 30000836 | Super Selfie Cord Draw Puller Set | 30000841 | Warm White | 02330010 | |
| | | | | Super Selfie Single Bracket | Natural | 02330111 |
| Super Selfie Cord Draw Pilot Roller Set | 30000837 | Super Selfie Double Bracket | 30000842 | Super Selfie Splice | Natural | 03700011 |
| Super Selfie Cord Draw Master Roller | 30000838 | Selfie Easy Snap Ceiling Single Bracket | 02330116 | Warm White | 03700012 | |
| | | | | Super Selfie Cord Draw Bending Plate 2 m | 30000843 | |
| | | Selfie Easy Snap Ceiling Double Bracket | 02330117 | Super Selfie Cord Draw Tension Weight | 30000843 | |
| | | Warm White | 02330056 | Tension Pulley 240 | White | 00500005 |
| | | | | Traverse Cord 2.8 mm DIA. (White) | (*) | 00580009 |

*Material: 100% polyester

- The cord draw curtain track can be curved without using a bender.
- Can be used for a 10 kg one-way draw curtain, or for a 20 kg two-way draw curtain. (At a single curve)

Super Selfie Cord Draw's Unique Features

Neat stacking of curtains is possible without using a Tension Pulley.



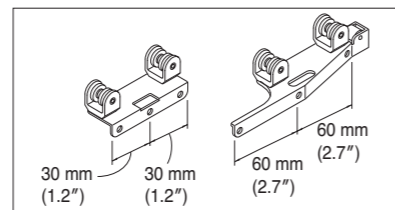
*Tension Weight is necessary.

The cord draw curtain track can be curved without using a bender.

Can be used for a 10 kg one-way draw curtain, or for a 20 kg two-way draw curtain. (At a single curve)

Master Roller used to overlap curtains.

Dimensions of overlapping part



*When a deeper overlap is required, overlap the rails.

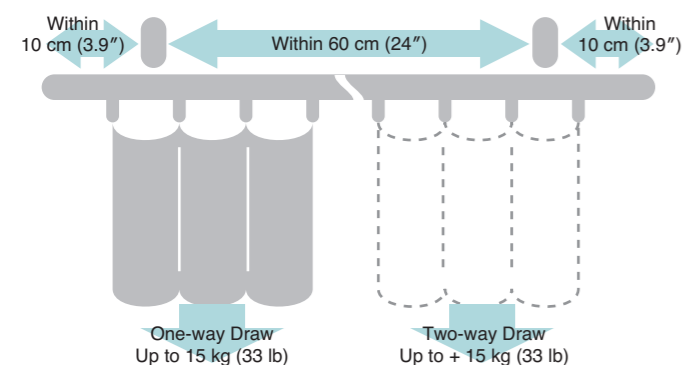
*Refer to the Cord Draw Components catalog for assembly instructions.

Materials and Finishes

| Parts | Material | Finish |
|---------------|-----------------------------------|--------------------------|
| Rail | Aluminum alloy extrusion material | Alumite Alumite white |
| Roller | Plate | Acetal resin |
| | Wheel | Hard polyethylene |
| | Oval ring | Stainless steel |
| Master Roller | Plate | Steel |
| | Wheel | Hard polyethylene |

| Parts | Material | Finish |
|---------------|----------------|-----------------|
| Single Pulley | Nylon resin | — |
| Double Pulley | Nylon resin | — |
| End Cap | Cap | Steel |
| | Oval ring | Stainless steel |
| Traverse Cord | Polyester 100% | — |

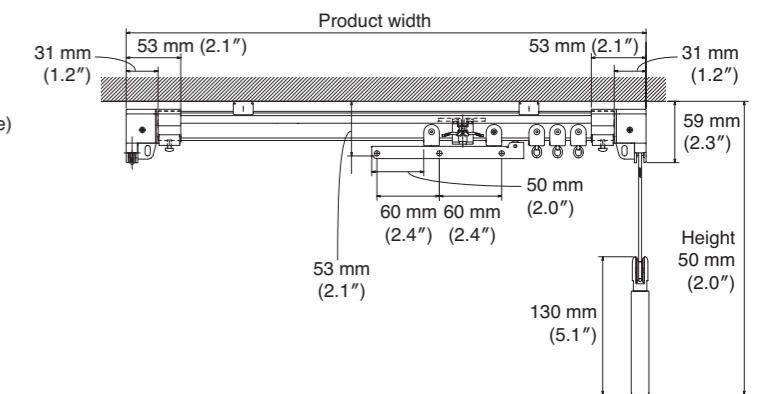
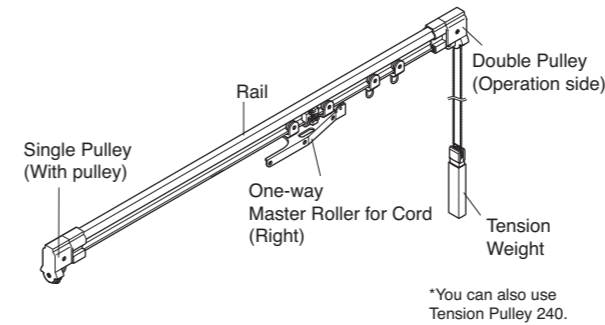
Bracket Installation Interval and Allowable Curtain Load



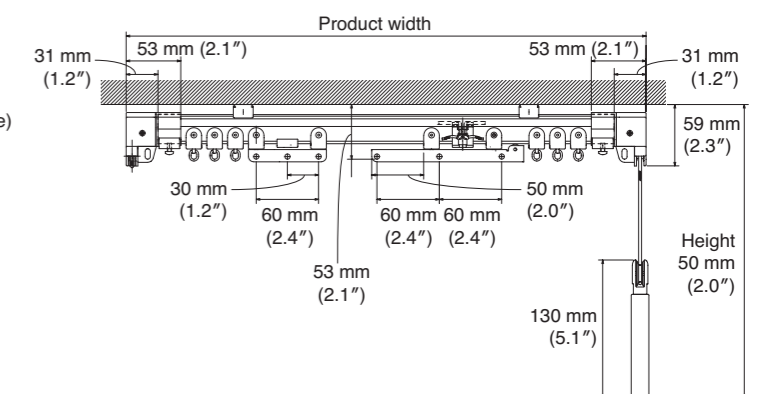
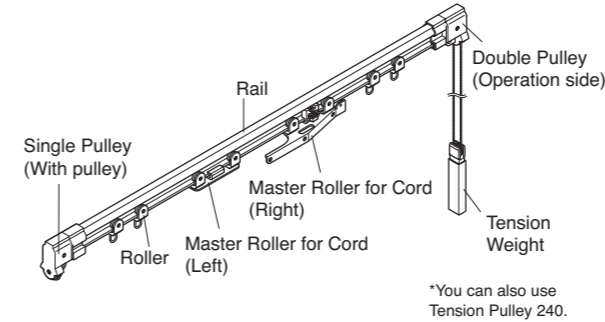
*Single curve:
 One-way draw—up to 10 kg (22 lb)
 Two-way draw—up to plus 10 kg (22 lb)
 Two curves or overall curve half:
 One-way draw—up to 8 kg (17.6 lb)
 Two-way draw—up to plus 8 kg (17.6 lb)
 *Possible to use each Bracket of Selfie, excluding Extra Double Bracket.

Structure Drawing

One-way Draw



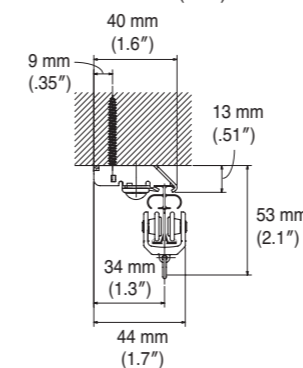
Two-way Draw



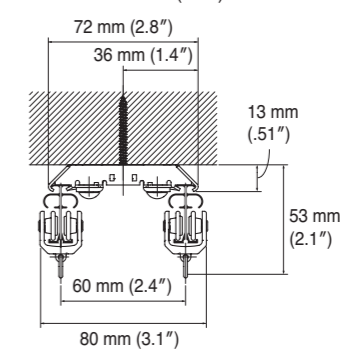
Installation Dimensions

Ceiling Attachment

Easy Snap Ceiling Single Bracket
 Bracket width = 18 mm (.71")

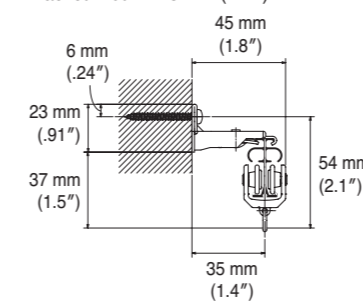


Easy Snap Ceiling Double Bracket
 Bracket width = 19 mm (.75")



Wall Attachment

Single Bracket
 Bracket width = 18 mm (.71")



Double Bracket
 Bracket width = 18 mm (.71")

