

規格 SPECIFICATIONS

規格名稱 / 機種 / 頻率 Item / model / Freq		HP-1315		HP-1330		HP-1715		HP-1730	
		60	50	60	50	60	50	60	50
最大輸出能力 RATE Max. (L / min) (H2O at 25°C)	0.0	8.4	7.0	4.2	3.5	16.5	13.8	8.2	6.8
	2.0	8.3	7.0	4.1	3.5	16.3	13.6	8.1	6.7
	5.0	7.9	6.6	3.9	3.3	15.7	13.1	7.8	6.5
	7.0	7.6	6.3	3.8	3.2	-	-	7.3	6.1
	10.0	-	-	3.5	2.9	-	-	-	-
最高輸出壓力 PRESSURE Max.(Kg / cm ²) TYPE PVC	PVC	7.0		10.0		5.0		7.0	
	SUS			12.0					
衝程 STROKE(mm)		0.0 ~ 12.0							
脈衝速率 PULSE (pulse / min)		116	97	58	48	116	97	58	48
膜片直徑 DIAPHRAGM Dia. (mm)		130				170			
出入口接頭 JOINT		1.0" 由令式 (Union) 接頭 OD.34mm				1.0" 由令式 (Union) 接頭 OD.34mm			
		1.0" 10K法蘭式 (Flange) 接頭				1.0" 10K法蘭式 (Flange) 接頭			
馬達規格 MOTOR POWER		220V / 1/50,60Hz / 0.5 Hp 220V / 380V / ø3/50,60Hz / 4P/0.5Hp 380V / 440V / ø3/50,60Hz / 4P/0.5Hp				220V / 1/50,60Hz / 0.5 Hp 220V / 380V / ø3/50,60Hz / 4P/0.5Hp 380V / 440V / ø3/50,60Hz / 4P/0.5Hp			
淨重(kg) NET WEIGHT (kg)	PVC / PVDF	17.5				23			
	SUS316	21				27			
總重(kg) CROSS WEIGHT (kg)		20.5				26			
外包裝尺寸 PACKING DIMENSIONS		L560mm * W260mm*H490mm (瓦楞紙箱) (Corrugated Paper Carton)				L590mm * W260mm*H490mm (瓦楞紙箱) (Corrugated Paper Carton)			

*規格表內容若有變更恕不另行通知 *The above specifications are subject to change without prior notice.

選購附件 OPTIONAL ACCESSORIES

背壓閥 Back-Pressure Valve
 管路注入接頭(含虹吸逆止) Circuit filling Connector (Siphon-prevention function include)
 脈動緩衝器 Pulsation buffer



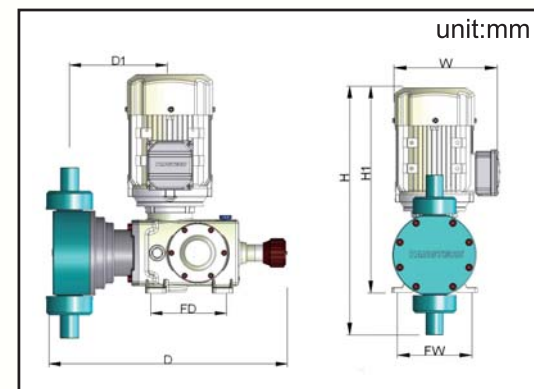
- PVC+鋁合金
- 出入口1.0" PVC 油令/法蘭
- 調壓 1.0 ~ 8.0kg / cm²
- PVC + X aluminumalloy
- In/out port 1.0" PVC Union / flange
- Pressure regulation 1.0 ~ 8.0 kg / cm²

- 出入口 1.0" PVC 膠合
- 虹吸防止壓力 < 1.0 kg / cm²
- In / out port 1.0" PVC glued
- Siphon - Prevention Pressure < 1.0kg / cm²

- PVC,SUS
- 緩衝容量 4L,10L / 1.0" PVC法蘭
- 適用壓力 5.0 (PVC), 8.0 (SUS) kg / cm²
- PVC,SUS
- Buffering Capacity 4L,10L / 1.0" PVC flange
- Applicable Pressure 5.0 (PVC), 8.0 (SUS) kg / cm²

經銷商

尺寸 DIMENSIONS



機型 Model	H	W	D	H1
HP-1315	476	202	432	395
HP-1330				
HP-1715	513	217	448	396
HP-1730				

機型 Model	FW	FD	D1
HP-1315	135	120	177
HP-1330			
HP-1715	135	120	177
HP-1730			

20110425

YANGTECH®



HP-13 系列

HP SERIES MECHANICAL-DRIVE DIAPHRAGM METERING PUMP

HP-系列高性能隔膜式定量幫浦



HP-17 系列

YANGTECH TECHNOLOGY CO., LTD. TAIWAN
 創裕實業股份有限公司 (台灣)

優異特點 OUTSTANDING FEATURES

HP-SERIES

MECHANICAL-DRIVE DIAPHRAGM METERING PUMP

HP-系列高性能隔膜式定量幫浦

YANGTECH®

1



CERTIFIED BY INTERNATIONAL QUALITY STANDARD

The HP-series pumps are certified by European CE standards. Electric parts meet various regulations such as EN60034-1:98+A2:99 and IEC60034-1:99. Production quality complies with ISO9001 quality assurance certification.

通過國際級品質認證

HP-幫浦馬達全系列通過歐洲CE安規認證。電氣安規符合EN60034-1:98+A1:98+A2:99 及 IEC60034-1:99。生產品質符合ISO9001品質保證

2



APPLICABLE TO HIGH ACCURACY CHEMICAL FEEDING

The pump employs volume replacement principle to delivering chemical liquid. It features outstanding suppression capability to flow variations which were caused by varying of liquid level or lift. Feeding precision below $\pm 3.0\%$ (Full scale) can be easily achieved.

適用於高精度化學加藥製程

利用體積替代原理輸送化學液體，對於因藥品液位或揚程改變所產生之流量變動有很高之抑制能力，可輕易達成 $\pm 3\%$ FS之加藥精度

3



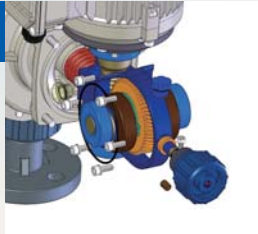
HOUSING MADE OF LIGHT-DURABLE Al/Zn/Mg ALLOY

The housing of HP-series pump (include original motor) is casted in C7000 high strength aluminum/zinc/magnesium alloy. This features light weight, maximum durability and outstanding heat dissipation. It's weight is lighter than competitive products. This makes it more convenient for delivery, installation and maintenance.

輕量強化鋁鎂合金

HP-幫浦整台外殼(含原廠馬達)採用7000級高強度鋁鎂合金鑄造而成，具有質輕、堅固且散熱佳之特性，重量比競爭品牌輕盈許多，更利於運輸安裝與維修。

4



DURABLE DUAL-CAM DRIVE MECHANISM

Combine worm-gear reduction and eccentric cam driving mechanism in one chamber to effectively reducing mechanism volume. Oil bath lubrication (instead of grease lubrication) ensure superior lubrication which leads to long service time, make it suitable for long time continuous operation.

精確且耐用之雙凸輪驅動設計

蝸桿齒輪與偏心驅動共構於同一驅動箱內可有效縮小體積。雙凸輪平衡驅動設計且採全浸式潤滑(非黃油潤滑)可獲得良好潤滑，延長使用壽命，適合長時間連續運轉。

5



HIGH MATERIAL QUALITY AND PRECISION MACHINING

The pump utilized high quality plastic materials (such as PVC, PVDF). The drive mechanism is made of high hardness, wear-resistant alloy steel, and all bearings are products of well-known international brands. The parts of the pump are precision machined by high quality multi-axis machining center combine with 4th-axis-autorotating system, that assures highest machining precision.

嚴選用料與高精密加工

嚴選高品質PVC、PVDF材料，驅動組件採高硬度耐磨合金鋼並用德日大廠精密零件組裝。零件採用多軸加工機配合第四軸自動翻轉治具以確保最佳之加工精度。

6



DUST AND WATER(RAIN) PROOF

The entire pump structure including pump head and drive mechanism are fully enclosed, that featuring dust-proof and water-proof. This pump complies with IP55 protection class and can be installed at outdoor if combine with a IP55 certificated motor(such as original motor).

防塵與防水設計(可室外安裝)

幫浦整體結構包括幫浦頭、驅動機構皆為全密封設計，具防塵防水效果。若同時採用本廠提供之IP55防護等級電動馬達則本幫浦可供直接安裝於戶外使用。

7



PRECISION FLOW RATE CONTROL MECHANISM 精準流量控制機構

The flow rate control mechanism employs high precision spiral shaft, it directly actuate driving-ring for reciprocating motions, which controls the diaphragm stroke. This outstanding design features accurate flow rate control, simple construction and minimum trouble.

流量控制機構採用精密旋轉推桿直接控制驅動環復行程進而控制隔膜行程。流量控制精確且兼具結構簡單、故障率低之優點。

8



MULTI-LAYER COMPOSITE TEFLON DIAPHRAGM 多層複合強化隔膜

The diaphragm is manufactured from multi-layer composite material. The surface layer is made of durable Teflon, which is an chemical resistant material. The middle layer is a support frame made of 3mm sus304, which was enclosed with EPDM rubber then attach nylon-fiber-net in the back side as reinforcement, that exhibits outstanding durability.

隔膜採用多層複合材料製作。表層為高韌性鐵氟龍(TEFLON)屬耐酸鹼材質，中層以SUS304鐵心撐，前後層以EPDM 橡膠+尼龍纖維補強後完整包覆成形，堅固耐用。

機型代號說明 MODEL IDENTIFICATION

HP-13

15-AC

U-33

形式代號 Model Code	
HP	HP系列幫浦

膜片直徑 Diaphragm Diameter	
13	Ø130mm
17	Ø170mm

減速比 Speed Reduction	
15	1:15
30	1:30

接頭型式代號 Joint	
U	由令式 Union
F	法蘭式 Flange

材質代號 Material Code	AC	AF	BS	VS	SS
應用 Application	常用酸液 Acid liquid	強(氧化性)酸液 Strong acid liquid	常用鹼液 Alkaline liquid	黏性液體 Viscid liquid	溶劑液體 Solvent liquid
幫浦頭 Pump Head	PVC	PVDF	PVC	PVC	SUS304
閥珠 Valve Ball	Ceramic	Ceramic	SUS316	SUS316	SUS316
閥座 Valve Seat	PVC	PVDF	PVC	PVC	SUS316
O-型環 O-Ring	Viton	Viton	EPDM	EPDM	-
閥襯墊 Valve Gasket	PTFE	PTFE	PTFE	PTFE	PTFE
隔膜 Diaphragm	PTFE + EPDM + SUS304 + Nylon Fiber				

馬達電壓代號 Motor Voltage Code	
21	220V / Ø1
33	220V / 380V / Ø3
43	380V / 440V / Ø3

註記代號 Remark Code	
空 Omitted	標準品 Standard
C	訂製品 Customized

註：PVC：Polyvinyl chloride
SUS304 / 316：Stainless steel
Viton：Fluoro Rubber
EPDM：Ethylene Propylene Rubber
聚氯乙稀
不鏽鋼
氟素橡膠
乙烯丙烯非共軛二烯橡膠

PVDF：Polyvinylidene fluoride
Ceramic：A1203
PTFE：Polytetrafluoro Ethylene
聚偏二氯乙稀
氧化鋁 / 陶瓷
聚四氟乙稀