

CE

B75 Non-Metallic Design Level 2 Ball Valve Air-Powered Double-Diaphragm Pump

ENGINEERING, PERFORMANCE
& CONSTRUCTION DATA

INTAKE/DISCHARGE PIPE SIZE 3" ANSI Flange or 80mm DIN Flange	CAPACITY 0 to 238 US gallons per minute (0 to 901 liters per minute)	AIR VALVE No-lube, no-stall design	SOLIDS-HANDLING Up to .71 in. (18mm)	HEADS UP TO 100 psi or 231 ft. of water (7 bar or 70 meters)	DISPLACEMENT/STROKE .9 US gallon / 3.41 liter
---	---	---	--	---	---

⚠ CAUTION! *Operating temperature limitations are as follows:*

Materials

Operating Temperatures
Maximum Minimum

Santoprene® Injection molded thermoplastic elastomer with no fabric layer. Long mechanical flex life. Excellent abrasion resistance.	212°F 100°C	-10°F -23°C
Virgin PTFE Chemically inert, virtually impervious. Very few chemicals are known to react chemically with PTFE: molten alkali metals, turbulent liquid or gaseous fluorine and a few fluoro-chemicals such as chlorine trifluoride or oxygen difluoride which readily liberate free fluorine at elevated temperatures.	212°F 100°C	-35°F -37°C
Polypropylene	180°F 82°C	32°F 0°C
PVDF	200°F 93°C	10°F -13°C

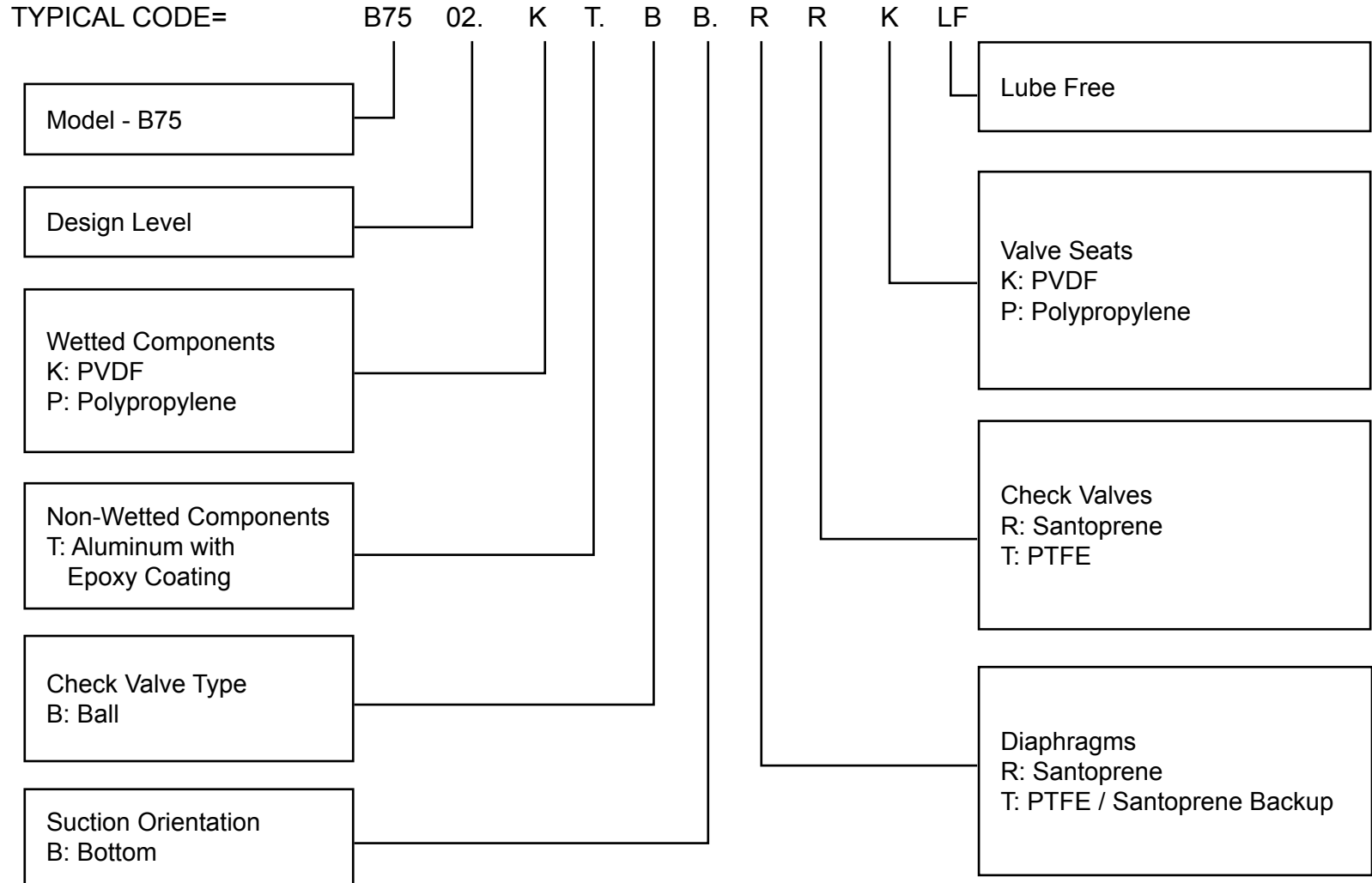
Maximum and Minimum Temperatures are the limits for which these materials can be operated. Temperatures coupled with pressure affect the longevity of diaphragm pump components. Maximum life should not be expected at the extreme limits of the temperature ranges.

CAUTION: Nonmetallic pumps and plastic components are not UV stabilized. Ultraviolet radiation can damage these parts and negatively affect material properties. Do not expose to UV light for extended periods of time.

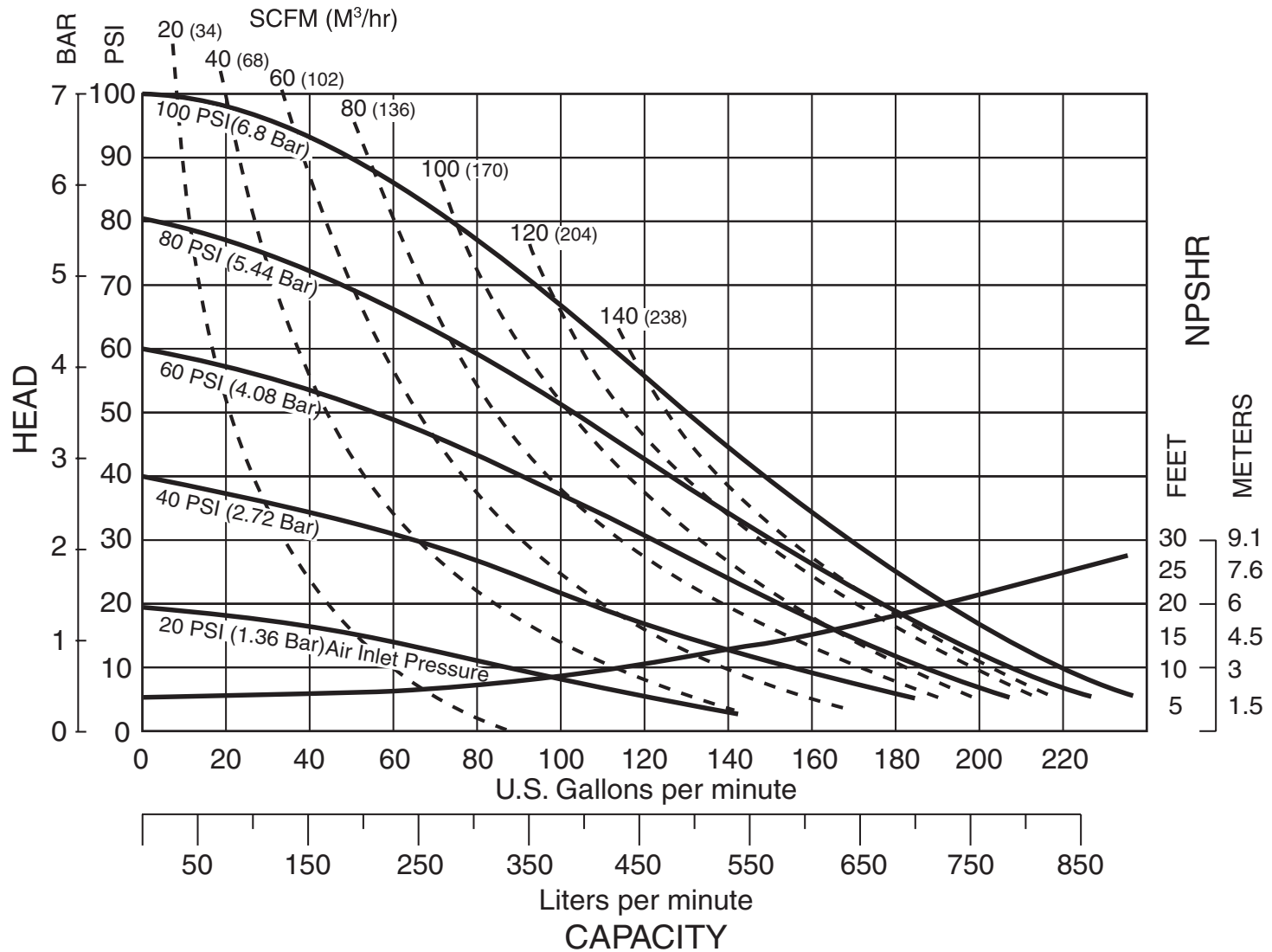
For specific applications, always consult "Chemical Resistance Chart" Technical Bulletin

The pumps are designed to be powered only by compressed air.

Explanation of Pump Nomenclature



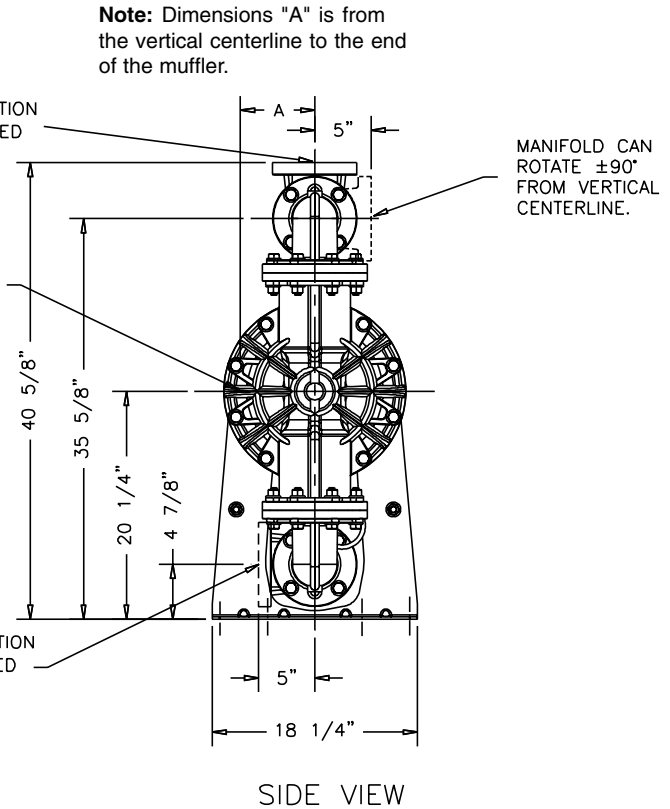
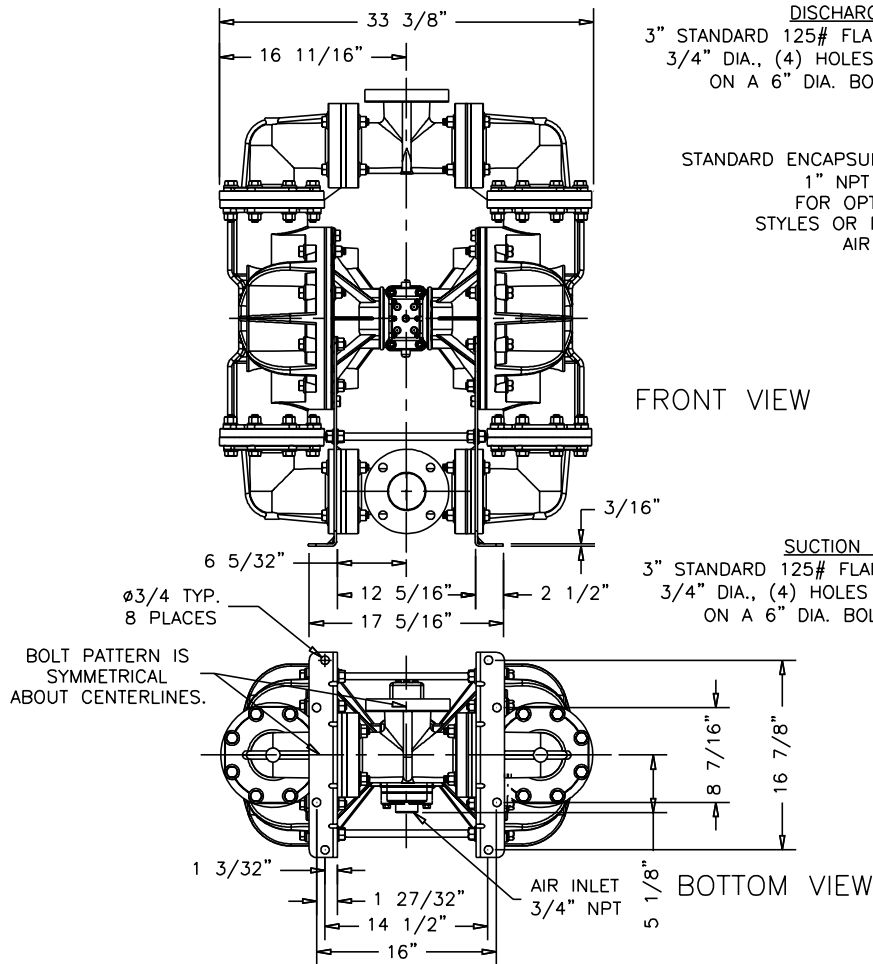
Performance Curve, Model B75 Non-Metallic Design Level 2



Dimensions: B75 Non-Metallic

Dimensions in Inches

Dimensional tolerance: $\pm 1/8$ "



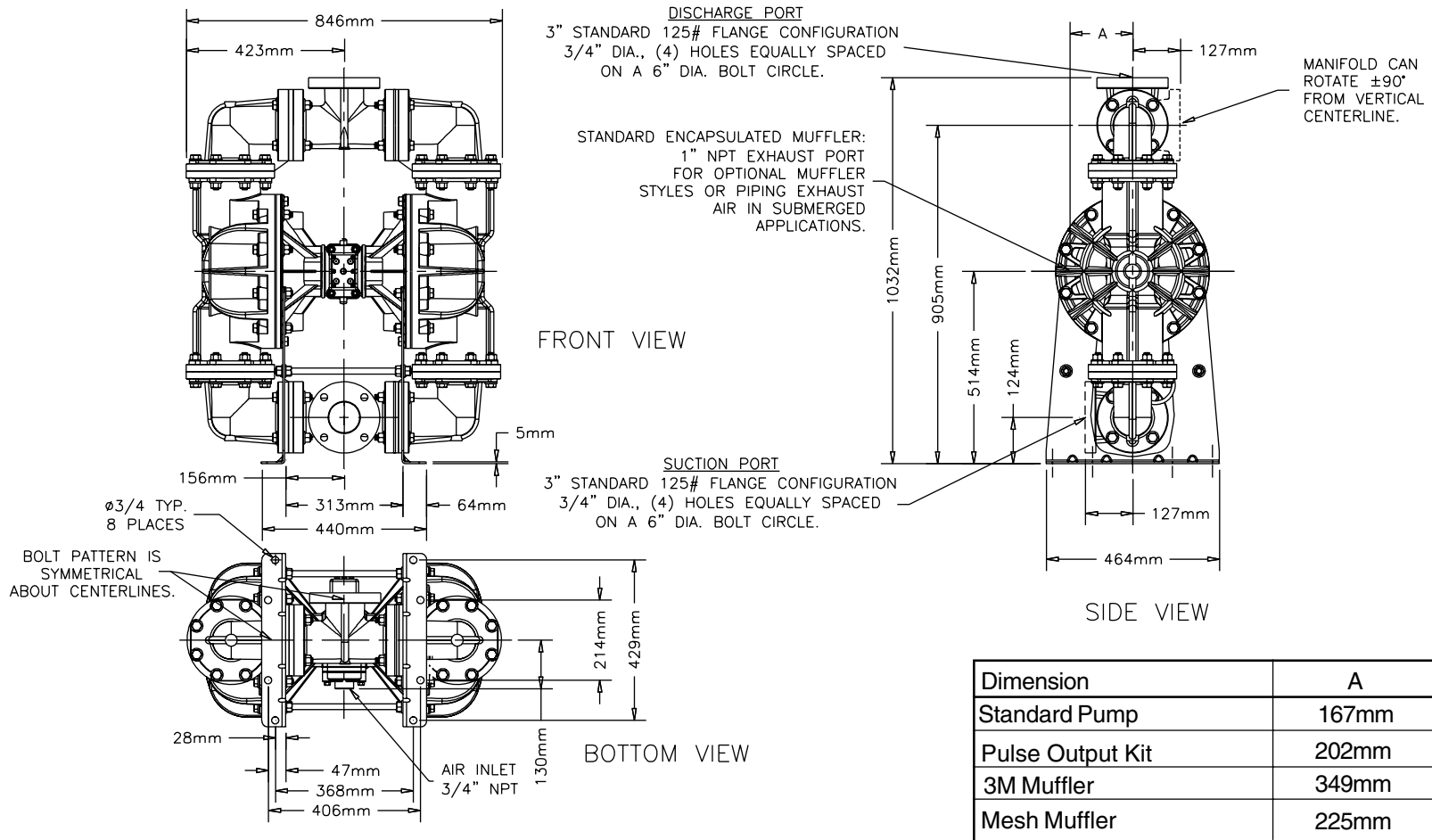
Dimension	A
Standard Pump	6 9/16"
Pulse Output Kit	12 9/16"
3M Muffler	13 3/4"
Mesh Muffler	12 9/16"

Note: Porting Flanges are also available with PN10 80mm DIN bolting configuration.

Metric Dimensions: B75 Non-Metallic

Dimensions in Millimeters
Dimensional tolerance: $\pm 3\text{mm}$

Note: Dimensions "A" is from the vertical centerline to the end of the muffler.

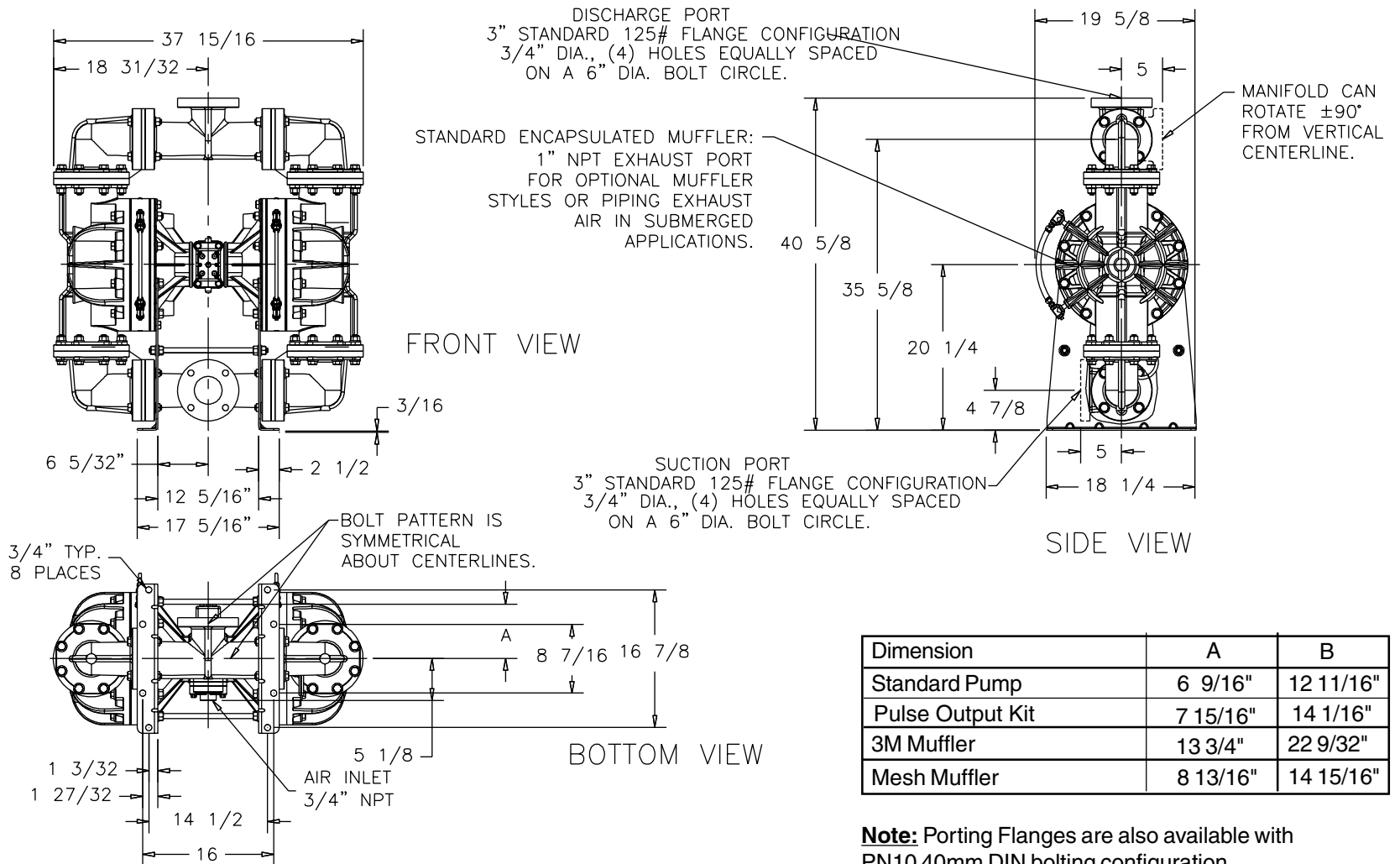


Note: Porting Flanges are also available with PN10 80mm DIN bolting configuration.

Dimensions: B75 Non-Metallic with Spill Prevention

Dimensions in Inches

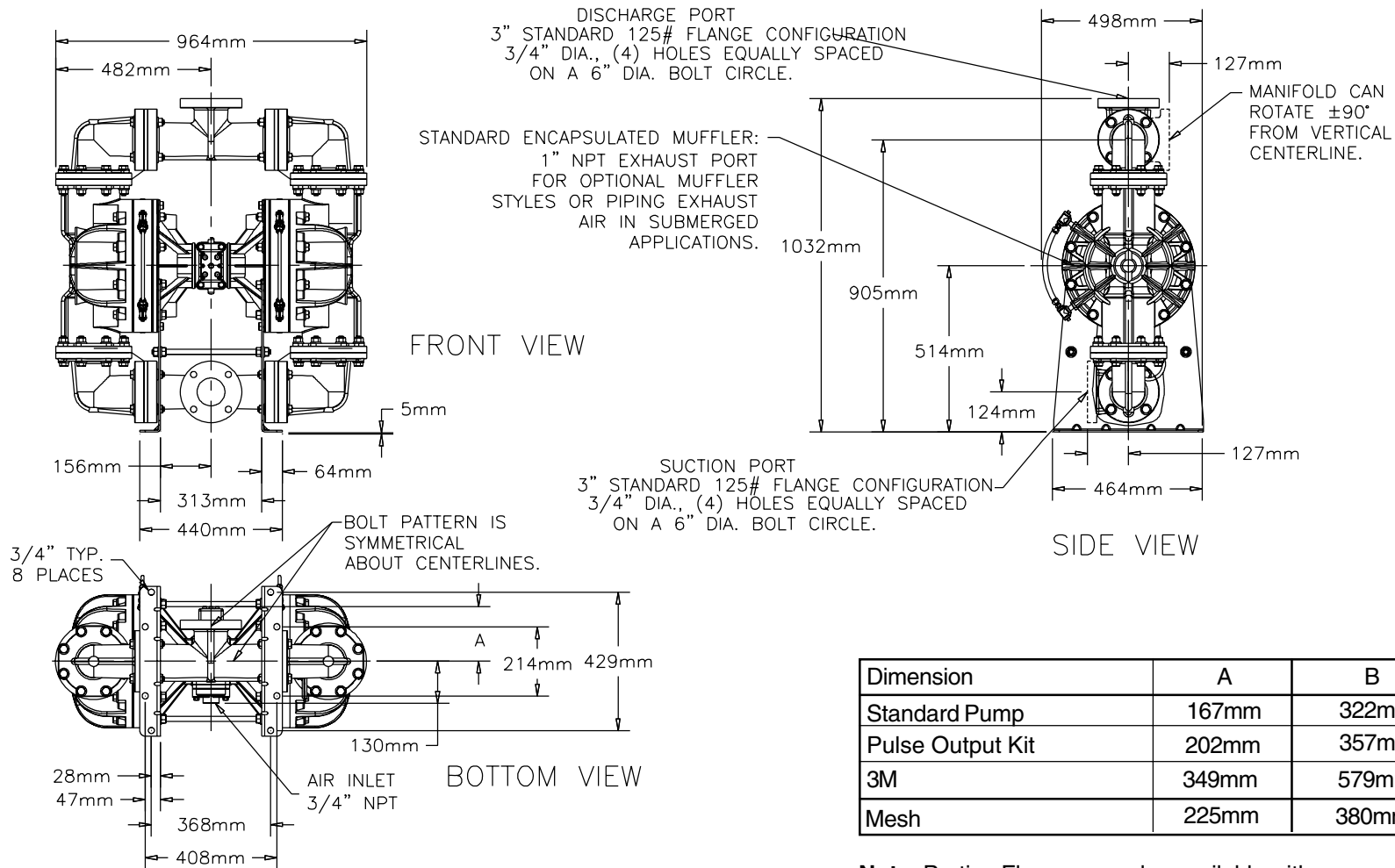
Dimensional tolerance: $\pm 1/8"$



Note: Porting Flanges are also available with PN10 40mm DIN bolting configuration.

Metric Dimensions: B75 Non-Metallic with Spill Prevention

Dimensions in Millimeters
Dimensional tolerance: $\pm 3\text{mm}$



Note: Porting Flanges are also available with PN10 80mm DIN bolting configuration.

Declaration of Conformity

Declaration of Conformity

BLAGDON PUMP®

Declaration of Conformity

Manufacturer: IDEX Pump Technologies (Ireland) Ltd.,
A Unit of IDEX Corporation, R79, Shannon, Co Clare, IRELAND.

Certifies that Air-Operated Double Diaphragm Pump B and X Series, comply with the European Community Directive 2006/42/EC on Machinery, according to Annex VIII. This product has used Harmonized Standard EN 809, Pumps and Pump Units for Liquids - Common Safety Requirements, to verify conformance.

Des Monaghan
Signature of authorized person

Des Monaghan
Printed name of authorized person

Revision Level: E

October 20, 2005
Date of issue

Production & Tech Manager
Title

May 27, 2010
Date of revision

