

# MS1 Series

## Mechanical Diaphragm Metering pumps

MS1 pumps are mechanical diaphragm metering pumps featuring a spring return mechanism in an aluminium housing.

### FEATURES

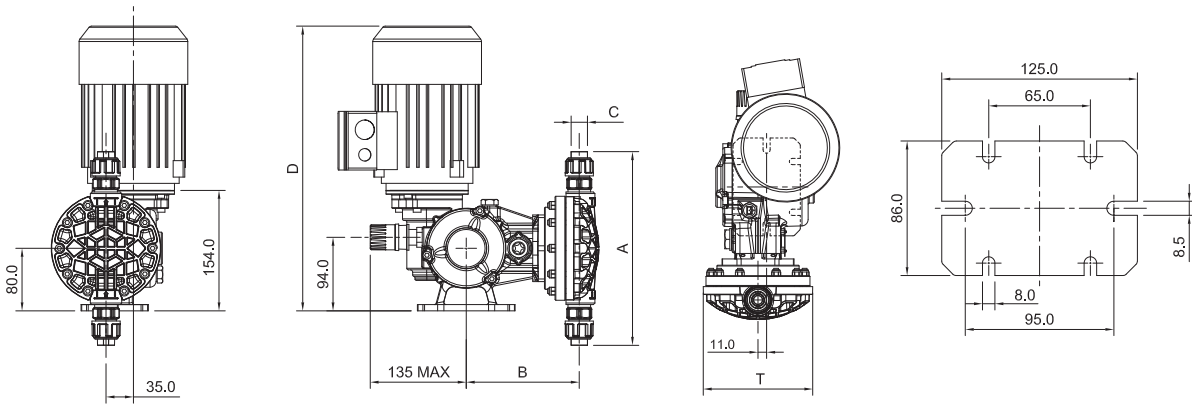
■ FLOW RATE	from 5,5 to 530 L/h
■ MAX PRESSURE	10 bar
■ STROKE RATE	58 – 78 – 116 strokes/minute
■ DIAPHRAGM DIAMETER	from 64 to 165 mm
■ MOTOR	standard 0,18 – 0,25 – 0,37 Kw (IP 55)
■ STROKE LENGTH	2 mm – 4 mm – 6 mm



### TECHNICAL FEATURES

MODEL	DIAPHRAGM DIAMETER [mm]	STROKE LENGTH [mm]	STROKES RATE [Strokes/min]	FLOW RATE [L/h]	MAX PRESSURE [bar]		CONNECTIONS		MOTORS [kW]	WEIGHT [Kg]		WOODEN BOX SIZE (LxWxH) (mm)	
					SS316L PVDF	PP	SS316L	PP		SS316L	PP PVDF		
MS1A064A	64	2	58	5,5	10	10	1/4 GF	1/4 GF DN15	0,18	15	13	430x280x530	
MS1A064B			78	8									
MS1A064C			116	11									
MS1A094A	94		58	20			3/8 GF	3/8 GF DN15		0,25	16		14
MS1A094B			78	26									
MS1A094C			116	40									
MS1B108A	108	4	58	60	7	7	3/4 GF	3/4 GF	0,37	19	16	590x400x550	
MS1B108B			78	80									
MS1B108C			116	120									
MS1C138A	138	6	58	155	5	5	1"GF	1"GF	0,37	23	18	590x400x550	
MS1C138B			78	220									
MS1C138C			116	310									
MS1C165A	165		58	230	4 / 5	4 / 5	27	21					
MS1C165B			78	330									
MS1C165C			116	530 / 500									

## DIMENSIONAL DRAWINGS



DIAPHRAGM DIAMETER [mm]	A [mm]		B [mm]		C [mm]		T [mm]	
	PVC	SS316L	PVC	SS316L	PVC	SS316L	PVC	SS316L
64	208	150	149	144	1/4 GF		98	
94	236	172	144	146	3/8 GF		117	120
108	248	212					131	140
138	347	258	158	157	3/4 GF		160	170
165	377	296	160		1"GF		193	190

	STANDARD		
	21	51	31
PUMP HEAD	SS316L	PP	PVC
DIAPHRAGM	PTFE		
SEAL	FPM		
VALVES	Ceramic		
VALVE SEATS	SS316L	PTFE	PTFE

### OPTIONAL FEATURES

Every pump can be equipped with frequency-conversion motor or explosion-proof motor or electric actuator which accepts 4÷20mA signal.

**M S1 A 064 B 31 A4 080**

### PUMP IDENTIFICATION

- OPTIONAL
- MOTOR
- PUMP HEAD MATERIALS
- STROKES
- DIAPHRAGM DIAMETER
- STROKE LENGTH
- MECHANISM TYPE
- MODEL