

F30Series - 270mm large size pipe size 3/4"-1" F30 series

This product will stop production by December 31st, 2018.



Product Features · Use

- Patented dual-indicator design for easy and clear flow range management.
- Laser engraved degree scales provide better readability and longer life.
- Available in customizable units, temperature, and molecular weight.
- Each batch of flow meters will be calibrated before delivery for our best precision guarantee.
- Perpendicular joint is available for space saving installation.
- Hastelloy float is available for corrosive environment.

Standard Specs

- Model: F30PC, F30PSU, F30H PSU
- Adaptor Size: 1/2", 3/4", 1"
- Applicable Fluid: Liquid
- Flow direction: From the bottom up
- Engraved degree scales: Laser engraved degree scales
- Fluid Temperature: 50°C (Standard: UPVC adaptor)
60°C (PP adaptor)
100°C (PSU adaptor)
- Working Pressure: 6.0 kg/cm²
- Full Scale Accuracy: ±5% F.S.
- Product Material

Body - PC, PSU
 Float - Stainless 316, Ti, Hastelloy C
 Guide Rod - Stainless 316, Ti, Hastelloy C
 Guide Rod Bottom - UPVC, PSU
 Adaptor - Welding Type: UPVC
 Male, Female Thread: UPVC, PP, PVDF, PSU, Stainless 316
 Butt-fusion Adaptor: PP
 Panel Elbow Thread: UPVC

Union Nuts - UPVC, Aluminum
 O-ring / EPDM, VITON

- Adaptor Material
- Welding Type, Male Thread, Female Thread,
 Butt-fusion Adaptor, Panel Elbow Thread

※ BSPT is standard thread type. NPT is available for custom order.

Scale Range

Product Code	Scale Range※	Standard gravity
F30 (PSU, H PSU) - 20LPM	2.0-20 L/min	1.0
F30 (PSU, H PSU) - 30LPM	3.0-30 L/min	1.0
F30 (PSU, H PSU) - 40LPM	4.0-40 L/min	1.0
F30 (PSU, H PSU) - 50LPM	5.0-50 L/min	1.0
F30 (PSU, H PSU) - 60LPM	6.0-60 L/min	1.0
F30 (PSU, H PSU) - 70LPM	7.0-70 L/min	1.0
F30 (PSU, H PSU) - 80LPM	8.0-80 L/min	1.0
F30 (PSU, H PSU) - 100LPM	10-100 L/min	1.0

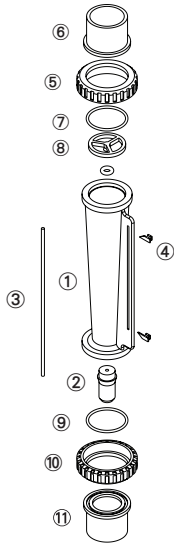
※ Liquid flow meters are calibrated for 20°C water.

Maximum working temperature for different adaptor materials

Adaptor Types	Maximum working temperature materials		
	~ 50°C	~ 60°C	~ 100°C
Welding Type	UPVC	-	-
Male / Female Thread	UPVC	PP	PSU
Butt-fusion Adaptor	PP	PP	-
Panel Elbow Male Thread	UPVC	-	-

※ When maximum working temperature is over 50°C, the material for guide rod bottom and union nuts have to be PSU and aluminium.

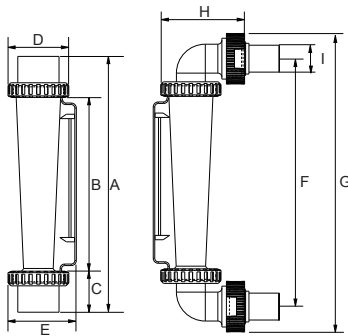
Parts Material



No.	Series	Material (Main material)* 1			
		1	2	3	4
1	Body	PC	PSU	PSU	PSU
2	Float	S316	S316	Hastelloy C	Hastelloy C
3	Guide Rod	S316	S316	Ti	Hastelloy C
4	Pointer	ABS	ABS	ABS	ABS
5,10	Union Nuts	UPVC	UPVC	UPVC	PSU
6,11	Adaptor	UPVC	UPVC	UPVC	PSU* 2
7,9	O-ring	EPDM	VITON	VITON	VITON
8	Guide Rod Bottom	PP	PP	PSU	PSU

※ 1. Material for different parts is optional for each flowmeter.
 ※ 2. For thread adaptor only.

Parts Size



Adaptor Material	A	B	C	D	E	F	G	H	I
1" Male Thread	272	171	50.5	60	67.5	-	-	-	-
1" Female Thread	272	171	50.5	60	67.5	-	-	-	-
1" JIS	253	171	41	60	67.5	-	-	-	-
PP D33 ID25.2	254	171	41.5	60	67.5	-	-	-	-
3/4" Male Thread	257	171	43	60	67.5	-	-	-	-
3/4" JIS	256	171	42.5	60	67.5	-	-	-	-
1"PTPanel ElbowMale Thread	-	171	-	60	67.5	255	284	67	26.6

Unit: mm

Specification inquiry (F30)

※ Contact us with below information.

- Fluid - Water Other _____
- Specific gravity - Standard-1.0 Other _____
- Pressure - Standard-6.0kg/cm² Other ___ kg/cm²
- Temperature - Normal temperature Other ___ °C
- Scale Range - _____ L/min ~ _____ L/min
- Adaptor Size - 3/4" JIS Other _____
- Adaptor Material - Welding Type Male Thread
 Female Thread Butt-fusion Adaptor
 Other _____
- Material
 - 1 Body PC 2 Body PSU
 - 3 Body PSU Hastelloy C Float, Ti Guide Rod
 - 4 Body PSU Hastelloy C Float & Guide Rod
Adaptor PSU (for high working temperature)
 - 5 Other
Specs besides above listed information _____