

# HYDROSTAR PLUS *PUMPS*

Purposed built for aquatic facilities, water parks and large commercial swimming pools. Hydrostar Plus pumps are high performance corrosion resistant thermoplastic pumps.

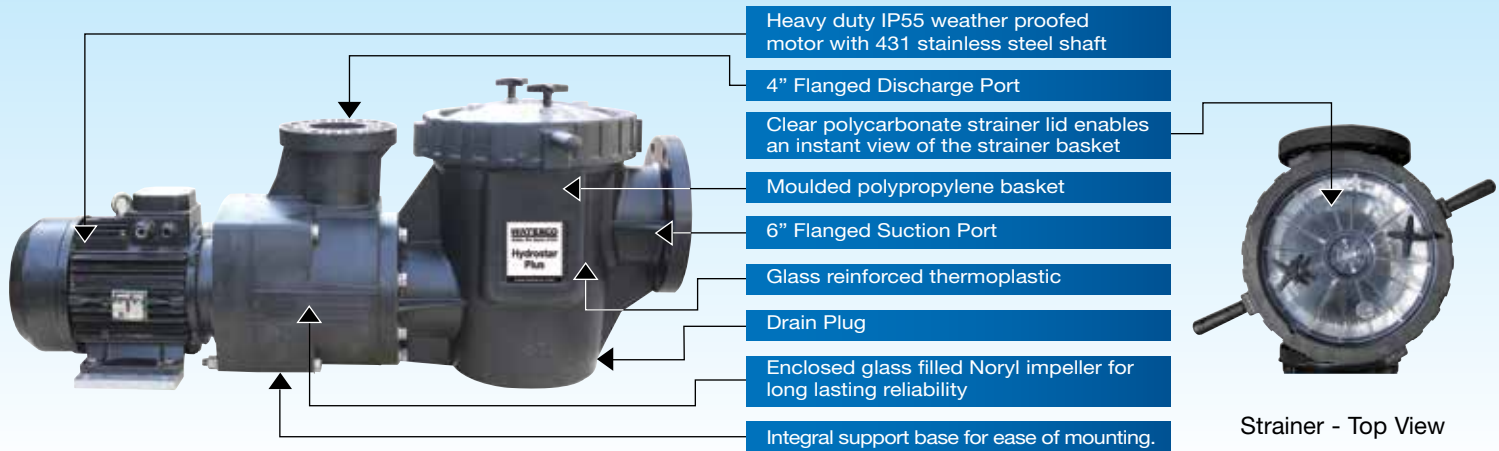


## Hydrostar Plus pumps

Hydrostar Plus pumps incorporate the latest technology in design and construction to produce a high performance self priming pump.

Constructed from an injection moulded glass reinforced thermoplastic, its pump body is manufactured utilising state of the art engineering plastic moulding for extra strength.

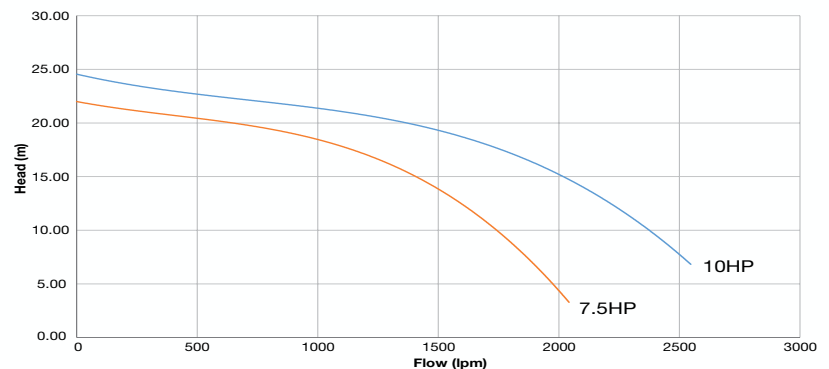
Its clear polycarbonate strainer lid enables an instant view of the strainer basket. Plus the pump's lid lock ring is equipped with ergonomic grip handles – for easy removal & replacement.



### Material

|                  |   |
|------------------|---|
| Motor Bracket    | : GF Polypropylene  |
| Pump Bracket     | : GF Polypropylene  |
| Pump Body O Ring | : NBR   |
| Seal Assembly    | : Alumina Ceramic/SS316/Carbon (Silicon Carbide optional) |
| Impeller         | : GF Noryl  |
| Diffuser         | : GF Polypropylene  |
| Pump Body        | : GF Polypropylene  |
| Strainer Basket  | : Polypropylene   |
| Strainer Lid     | : Polycarbonate   |
| Lock Ring        | : GF Noryl  |

### Performance Chart

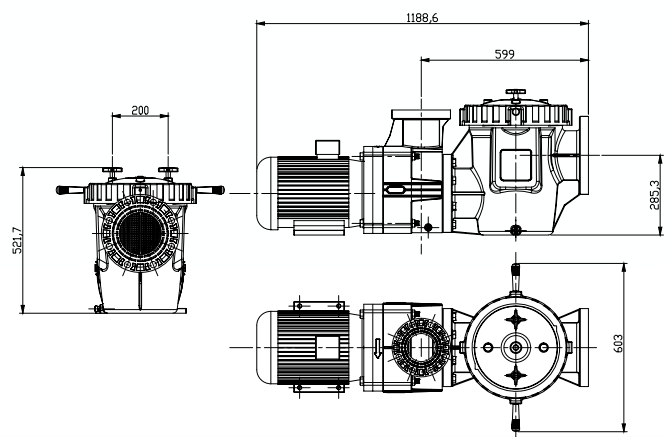


### Technical Specification

| Model | Nominal Power (hp) | Motor input (kW) | Amps  | Weight (kg) | Total Length | Motor Frame |
|-------|--------------------|------------------|-------|-------------|--------------|-------------|
| 7.5kW | 11.4               | 8.5              | 14.35 | 75          | 1190         | 132         |
| 5.5kW | 8.3                | 6.2              | 10.15 | 73          | 1190         | 132         |

| Phase | Volts    | RPM  | Pump Rating |
|-------|----------|------|-------------|
| 3     | 380- 415 | 2940 | IPX5        |

### Dimension



### Warranty

Waterco commercial pumps are covered by a comprehensive 1 year warranty for commercial installations.

#### OFFICES - AUSTRALIA

NSW - Sydney (Head Office)  
Tel: +61 2 9898 8600

QLD - Brisbane  
Tel: +61 7 3299 9900

VIC/TAS - Melbourne  
Tel: +61 3 9764 1211

WA - Perth  
Tel: +61 8 9273 1900

SA/NT - Adelaide  
Tel: +61 8 8244 6000

ACT Distribution  
Tel: +61 2 6280 6476

#### OFFICES - OVERSEAS

Waterco (Europe) Limited  
Sittingbourne, Kent, UK  
Tel: +44 (0) 1795 521 733

Waterco (USA) Inc  
Augusta, Georgia, USA  
Tel: +1 706 793 7291

Waterco Canada  
Longueuil, Quebec, Canada  
Tel: +1 450 748 1421

Waterco (NZ) Limited  
Auckland, New Zealand  
Tel: +64 9 525 7570

Waterco (C) Limited  
Guangzhou, China  
Tel: +86 20 3222 2180

Waterco (Far East) Sdn Bhd  
Selangor, Malaysia  
Tel: +60 3 6145 6000

PT Waterco Indonesia  
Jakarta, Indonesia  
Tel: +62 21 4585 1481

Waterco Singapore Int'l Pte Ltd  
Nehsons Building, Singapore  
Tel: +65 6344 2378

Waterco France  
SAINT PRIEST, France.  
Tel: +33 4 72 79 33 30

### DISTRIBUTED BY:

**WATERCO**  
water, the liquid of life



**SPASA**  
AUSTRALIAN MEMBER