

HAC-HDW1100R

1 Megapixel 720P IR HDCVI Mini Dome Camera



Features

- 1/2.9" 1 Megapixel CMOS
- 25/30fps@720P
- High speed, long distance real-time transmission
- Day/Night(ICR), AWB, AGC, BLC
- 3.6mm fixed lens (6mm optional)
- Max. IR LEDs length 20m, Smart IR
- DC12V

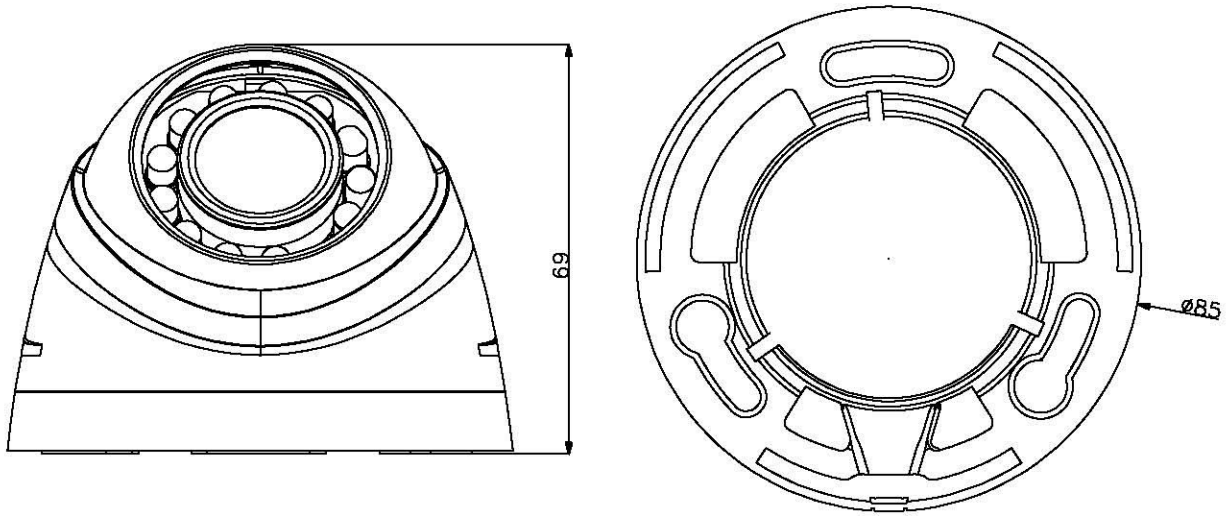
HAC-HDW1100R

Technical Specifications

| Model | HAC-HDW1100RP | HAC-HDW1100RN |
|------------------------|--|------------------|
| Camera | | |
| Image Sensor | 1/2.9" 1Megapixel CMOS | |
| Effective Pixels | 1280(H) x720(V) | |
| Electronic Shutter | 1/50s~1/100,000s | 1/60s~1/100,000s |
| Video Frame Rate | 25fps@720P | 30fps@720P |
| Synchronization | Internal | |
| Min. Illumination | 0.01Lux@F1.2(AGC ON),0Lux IR on | |
| Video Output | 1-channel BNC HDCVI high definition video output | |
| Camera Features | | |
| Max. IR LEDs Length | 20m, Smart IR | |
| Day/Night | Auto(ICR) / Color / B/W | |
| Noise Reduction | 2D | |
| Lens | | |
| Focal Length | 3.6mm (6mm optional) | |
| Mount Type | M12 | |
| General | | |
| Power Supply | DC12V±10% | |
| Power Consumption | Max 2W | |
| Working Environment | -30°C~+60°C / Less than 95%RH (no condensation) | |
| Transmission Distance | Over 500m via 75-3 coaxial cable | |
| Dimensions | Φ85mm × 69mm | |
| Weight | 200g | |

HAC-HDW1100R

Dimensions (mm)



Accessories (optional)

