



Model: AZIP5MS-VDIR



DESCRIPTION:

AZSecu introduces a new generation of network IP dome camera; the AZIP5MS-VDIR. Incorporating with advanced Sony IMX335 progressive scan CMOS, they provide extremely clear and details images for surveillance monitoring application. The Sony IMX335 featuring 12 bit ADC reduced quantization noise and also suppressed dark random noise, as a result, high dynamic range 120dB was achieved. On top of that, AZIP5MS-VDIR also featuring Starvis, a Sony technology that used back-illuminated pixel method and realizes high picture quality in the visible-light and near infrared light regions. In generally, this is called Starlight Camera.

FEATURES:

- 1/2.8" Sony IMX335 progressive scan CMOS image sensor with Starvis Technology
- Supports image resolution up to 2592 x 1944 @18fps
- 2D & 3D noise reduction
- Triple stream
- Support P2P cloud monitoring
- Built-in web server
- POE; ONVIF
- 1/1 Alarm In/Out, 1/1 Audio In/Out
- Micro SD slot(max 128G card supported)
- DOL-HDR

Ordering Information

Model No	AZIP5MS-VDIR
Dimension (LxHxW)	Ø157.2 x 123.4 mm
Weight	1200g
Product Box Size (mm)	200 x 200 x 180
Carton Size; Qty/CTN	575*390*310 ; 12pcs/CTN

Precaution

- Do not install camera in with temperature above 50°C or under -10°C.
- Do not install in a places with high humidity
- Do not face the camera to a strong light
- Do not drop the camera and avoid physical shock.
- Its highly important to use the correct and suitable power supply (DC12V) or POE injector for the camera.
- Only Professional and qualified technician can install and test the camera

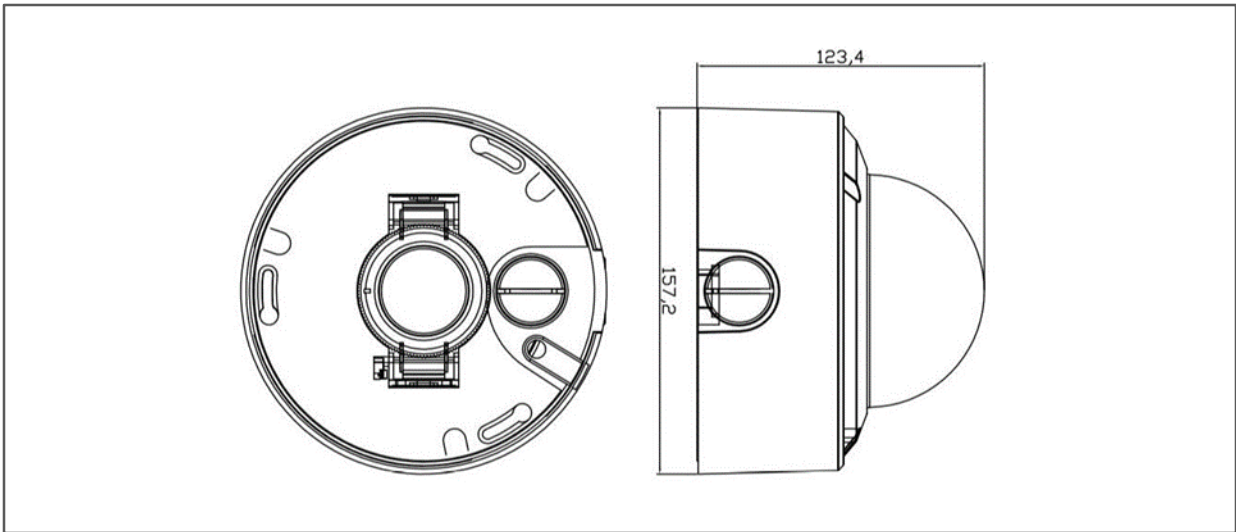
MODEL	AZIP5MS-VDIR
CAMERA	
Image Sensor	1/2.8" Sony IMX335 CMOS
Effective Pixels	2616(H) × 1964(V), 5MP
Resolutions	5MP (2592 × 1944 @ 18fps)
Electronic Shutter Speed	1/5s ~ 1/50,000 sec
Signal To Noise Ratio	More than 50dB
Minimum Illumination	0.002Lux / F1.2 (Starlight); 0Lux / F1.2 (IR ON)
Lens	2.8 – 12mm @ F1.4 varifocal
IR LED Type	24pcs SMD LED
IR Distance	30M
ICR	Auto, Dual IR cut filter
WDR	120dB DOL-HDR
Gain Control	Auto / Manual
White Balance	Auto / Manual
Video Compression	H.265(main profile) / H.264(baseline main profile high profile) / MJPEG
Encoding	Triple-stream: Main stream: 2592 x 1944 18fps Sub stream: 1280 x 720 25fps Sub stream2: 352 x 288 25fps
Encoding Type	Constant bit rate, Variable bit rate optional
Video Bit Rate	200Kbps-12Mbps
Motion Detection	Can set a single detection zone, multi-level sensitivity can be set
Video Mask	Support 4 areas to mask
Screen Capture	Support JPEG format max resolution based on encoding resolution
Character Display	Supported (Channel name, Date, Multiple lines OSD)
Alarm Function	Video loss, Network disconnect, Tampering alarm, Storage exception
Protocol	IPv4/IPv6, HTTP, HTTPS, TCP/IP, UDP, UPnP, ICMP, IGMP, SNMP, RTSP, RTP, SMTP, NTP, DHCP, DNS, PPPOE, DDNS, FTP, IP Filter, QoS, Bonjour, 802.1x, P2P
Compatibility	Linux/windows C/C++ SDK / ONVIF v2.42 / CGI API
Max User Access	10 users
Smart Phone	Iphone, Ipad, Android
Network Interface	RJ45 (10/100 Base-T)
OPTIONAL	
Audio Input / Output	1 / 1 , RCA
Audio Compression / Bit Rate	G.711 / 64Kbps
Alarm IN	1ch, NC/NO
Alarm OUT	1ch, 120VAC 1A / 24VDC 1A
Memory Slot	TF Card, max 128GB
RS485	Yes, half Duplex
Video Output	1ch BNC 75 ohm (external cable attached)
Reset Button	Yes
GENERAL	
Power Source	DC12V & POE (IEEE802.3af)
Power Consumption	Max. 9.6W (12V DC)
Net Weight	1200g
Dimension (L x W x H) mm	Ø157.2 x 123.4mm
IP Rating	IP66
Body Material / Vandalproof Rating	Metal / IK10
Operating Temperature	-10°C ~ +55°C / > 90% RH
Storage Temperature	-40°C ~ +60°C / > 95% RH

Optional Accessories



WB88 Junction Box

STRUCTURE:



INTERFACE:

