



Model: AZIP5MS-MAIC



DESCRIPTION:

AZSecu introduces a new generation of network IP dome camera; the AZIP5MS-MAIC. Incorporating with advanced Sony IMX335 progressive scan CMOS, they provide extremely clear and details images for surveillance monitoring application. The Sony IMX335LLN featuring an electronic shutter with variable charge-integration time. High sensitivity, low dark current and no smear are achieved. On top of that, AZIP5MS-MAIC also featuring Starvis, a Sony technology that used back-illuminated pixel method and realizes high picture quality in the visible-light and near infrared light regions. In generally, this is called Starlight Camera.

FEATURES:

- 1/ 2.8" Sony IMX335 progressive scan CMOS image sensor with Starvis Technology
- Supports image resolution up to 2592 x 1944P @18fps
- 2D & 3D noise reduction
- Triple stream
- Micro SD Card slot (max 128G supported)
- 1 Alarm in&1 Alarm Out; 1 audio in&1 audio out port for two-way talk
- POE supported
- ONVIF supported
- Motorized zoom lens 2.8 – 12mm, auto focus

Ordering Information

Model No	AZIP5MS-MAIC
Dimension (LxHxW)	288 x 89 x 110 mm
Weight	1100g
Product Box Size (mm)	283 x 115 x 93mm
Carton Size; Qty/CTN	578*330*360mm; 12pcs/ctn

Precaution

- Do not install camera in with temperature above 50°C or under -10°C.
- Do not install in a places with high humidity
- Do not face the camera to a strong light
- Do not drop the camera and avoid physical shock.
- Its highly important to use the correct and suitable power supply (DC12V) or POE injector for the camera.
- Only Professional and qualified technician can install and test the camera

MODEL	AZIP5MS-MAIC
CAMERA	
Image Sensor	1/2.8" Sony IMX335 CMOS
Effective Pixels	2616(H) × 1964(V), 5MP
Resolutions	5MP (2592 × 1944 @ 18fps)
Electronic Shutter Speed	1/5s ~ 1/50,000 sec
Signal To Noise Ratio	More than 50dB
Minimum Illumination	0.002Lux / F1.2 (Starlight); 0Lux / F1.2 (IR ON)
Lens	Motorized Lens 2.8 – 12mm, auto focus
IR LED Type	4pcs x Array IR LED
IR Distance	40-50M
ICR	Auto, Dual IR cut filter
WDR	120dB
Video Compression	H.265(main profile) / H.264(baseline main profile high profile) / MJPEG
Encoding	Triple-stream: Main stream: 2592 x 1944 18fps Sub stream1: 2592 x 1520 25fps Sub Stream2: 704 x 576 25fps
Encoding Type	Constant bit rate, Variable bit rate optional
Video Bit Rate	200Kbps-12Mbps
Motion Detection	Can set a single detection zone, multi-level sensitivity can be set
Video Mask	Support 4 areas to mask
Screen Capture	Support JPEG format max resolution based on encoding resolution
Character Display	Supported (Channel name, Date, Multiple lines OSD)
Alarm Function	Video loss, Network disconnect, Tampering alarm, Storage exception
Protocol	IPv4/IPv6, HTTP, HTTPS, TCP/IP, UDP, UPnP, ICMP, IGMP, SNMP, RTSP, RTP, SMTP, NTP, DHCP, DNS, PPPOE, DDNS, FTP, IP Filter, QoS, Bonjour, 802.1x, P2P
Compatibility	Linux/windows C/C++ SDK / ONVIF v2.42 / CGI API
Max User Access	10 users
Smart Phone	Iphone, Ipad, Android
Network Interface	RJ45 10/100 Base-T
ADDITIONAL	
Audio Input	1 Audio In/1 Audio Out
Alarm	1 Alarm In/1 Alarm Out
GENERAL	
Power Source	DC12V & POE (IEEE802.3af)
Power Consumption	Max. 13.6W (12V DC)
Net Weight	1100g
Dimension (L x W x H) mm	288 x 89 x 110 mm
IP Rating	IP66
Body Material / Vandalproof Rating	Alloy / -
Operating Temperature	-10°C ~ +55°C / > 90% RH
Storage Temperature	-40°C ~ +60°C / > 95% RH

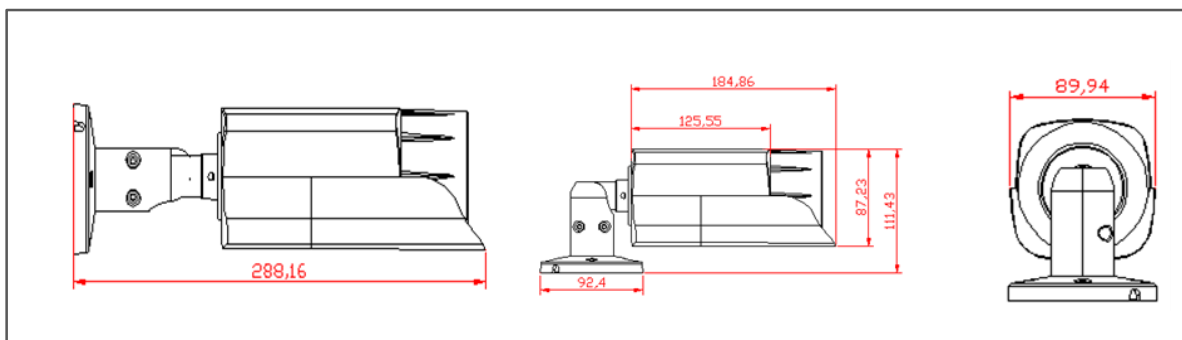
Specifications subject to change without notice. © 2019.All rights reserved.

Optional Accessories



JB69 Junction Box

STRUCTURE:



INTERFACE:

