



Model: AZIP5MS-VIR



DESCRIPTION:

AZSecu introduces a new generation of network IP dome camera; the AZIP5MS-VIR. Incorporating with advanced Sony IMX335 progressive scan CMOS, they provide extremely clear and details images for surveillance monitoring application. The Sony IMX335 featuring 12 bit ADC reduced quantization noise and also suppressed dark random noise, as a result, high dynamic range 120dB was achieved. On top of that, AZIP5MS-VIR also featuring Starvis, a Sony technology that used back-illuminated pixel method and realizes high picture quality in the visible-light and near infrared light regions. In generally, this is called Starlight Camera.

FEATURES:

- 1 / 2.8" Sony IMX335 progressive scan CMOS image sensor with Starvis Technology
- Supports image resolution up to 2592 x 1944 @18fps
- 2D & 3D noise reduction
- Triple stream
- Support P2P cloud monitoring
- Built-in web server
- POE; ONVIF
- 1/1 Alarm In/Out, 1/1 Audio In/Out
- Micro SD slot(max 128G card supported)
- DOL-HDR

Ordering Information

Model No	AZIP5MS-VIR
Dimension (LxHxW)	288 x 89 x 110 mm
Weight	1200g
Product Box Size (mm)	283 x 115 x 93mm
Carton Size; Qty/CTN	578*330*360mm; 12pcs/ctn

Precaution

- Do not install camera in with temperature above 50°C or under -10°C.
- Do not install in a places with high humidity
- Do not face the camera to a strong light
- Do not drop the camera and avoid physical shock.
- Its highly important to use the correct and suitable power supply (DC12V) or POE injector for the camera.
- Only Professional and qualified technician can install and test the camera

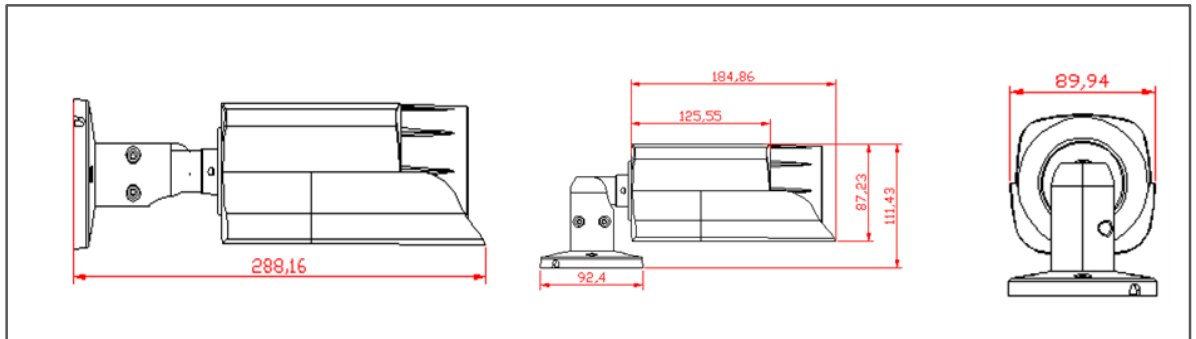
MODEL		AZIP5MS-VIR
CAMERA		
Image Sensor	1/2.8" Sony IMX335 CMOS	
Effective Pixels	2616(H) × 1964(V), 5MP	
Resolutions	5MP (2592 × 1944 @ 18fps)	
Electronic Shutter Speed	1/5s ~ 1/50,000 sec	
Signal To Noise Ratio	More than 50dB	
Minimum Illumination	0.002Lux / F1.2 (Starlight); 0Lux / F1.2 (IR ON)	
Lens	2.8 – 12mm @ F1.4 varifocal	
IR LED Type	4pcs Array LED	
IR Distance	40M	
ICR	Auto, Dual IR cut filter	
WDR	120dB DOL-HDR	
Gain Control	Auto / Manual	
White Balance	Auto / Manual	
Video Compression	H.265(main profile) / H.264(baseline main profile high profile) / MJPEG	
Encoding	Triple-stream: Main stream: 2592 x 1944 18fps Sub stream: 1280 x 720 25fps Sub stream2: 352 x 288 25fps	
Encoding Type	Constant bit rate, Variable bit rate optional	
Video Bit Rate	200Kbps-12Mbps	
Motion Detection	Can set a single detection zone, multi-level sensitivity can be set	
Video Mask	Support 4 areas to mask	
Screen Capture	Support JPEG format max resolution based on encoding resolution	
Character Display	Supported (Channel name, Date, Multiple lines OSD)	
Alarm Function	Video loss, Network disconnect, Tampering alarm, Storage exception	
Protocol	IPv4/IPv6, HTTP, HTTPS, TCP/IP, UDP, UPnP, ICMP, IGMP, SNMP, RTSP, RTP, SMTP, NTP, DHCP, DNS, PPPOE, DDNS, FTP, IP Filter, QoS, Bonjour, 802.1x, P2P	
Compatibility	Linux/windows C/C++ SDK / ONVIF v2.42 / CGI API	
Max User Access	10 users	
Smart Phone	Iphone, Ipad, Android	
Network Interface	RJ45 (10/100 Base-T)	
OPTIONAL		
Audio Input / Output	1 / 1 , RCA	
Audio Compression / Bit Rate	G.711 / 64Kbps	
Alarm IN	1ch, NC/NO	
Alarm OUT	1ch, 120VAC 1A / 24VDC 1A	
Memory Slot	TF Card, max 128GB	
RS485	Yes, half Duplex	
Video Output	1ch BNC 75 ohm (external cable attached)	
Reset Button	Yes	
GENERAL		
Power Source	DC12V & POE (IEEE802.3af)	
Power Consumption	Max. 9.6W (12V DC)	
Net Weight	1200g	
Dimension (L x W x H) mm	288 x 89 x 110 mm	
IP Rating	IP66	
Body Material / Vandalproof Rating	Metal / IK10	
Operating Temperature	-10°C ~ +55°C / > 90% RH	
Storage Temperature	-40°C ~ +60°C / > 95% RH	

Optional Accessories



JB69 Junction Box

STRUCTURE:



INTERFACE:

