



Model: AZSW24GPL2-C2G2S

DESCRIPTION

AZSW24GPL2-C2G2S is a layer 2+ full gigabit managed fiber PoE switch. It has 24*10/100/1000M PoE ports(including 2 Combo) + 4*100/1000M SFP slot(including 2 Combo). Port 1-24 support IEEE 802.3af/at standard PoE with maximum power 30W for each port. Maximum PoE budget is 400W. This switch also come with full Web management function, supports IPV4/IPV6 management, static route full line rate forwarding, complete security protection mechanism, complete ACL/QoS policy and rich VLAN functions. It also supports multiple network redundancy protocols STP/RSTP/MSTP (<50ms) and (ITU-T G.8032) ERPS to improve link backup and network reliability.

FEATURES:

- Support full duplex based on IEEE802.3x and half duplex based on Backpressure
- Conforms to the IEEE 802.3af/at PoE power standard
- Supports the POE network management function, power allocation, priority setting, port power status check, and time scheduling of PoE ports.
- Support IEEE 802.1Q VLAN
- Support QoS, support port based, 802.1P based and DSCP based three priority modes: Equ, SP, WRR, SP+WRR four queue scheduling algorithms.
- ACL supports the filtering of data packets by configuring matching rules, processing operations and time permissions, and provides a flexible access control strategy.
- Support IGMP V1/V2 multicast protocol and support IGMP Snooping to meet the multi terminal HD video surveillance and video conference access requirements.
- Support 802.1X authentication, provide authentication function for LAN computer, and control the authorized status of controlled port according to the result of authentication.

Ordering Information

Model No	AZSW24GPL2-C2G2S
Dimension (LxWxH)	440 x 290 x 44.5 mm
Gross Weight	5300g
Product Box Size (mm)	525 x 390 x 95mm
Carton Size; Qty/CTN	550*410*500mm;5pcs/carton

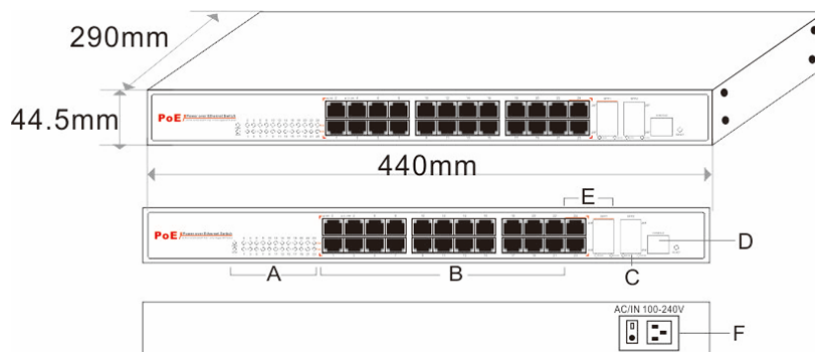
Precaution

- Do not install POE Switch in temperature above 50°C or under -10°C.
- Do not install in a places with high humidity
- Do not drop the POE Switch and avoid physical shock.
- Its highly important to use the correct and suitable power supply (AC100-240V) for the POE Switch.
- Only Professional&qualified technician can install&test the POE Switch

MODEL		AZSW24GPL2-C2G2S
POE SWITCH		
Interface	24*10/100/1000M POE ports (Data /Power); 4*100/1000M Uplink SFP ports (Data); 1*Console RS232 port (115200,N,8,1)	
POE Port	Port 1 - 24 support IEEE802.3af/at PoE standard	
Network Protocol	IEEE802.3 10BASE-T; IEEE802.3i 10Base-T; IEEE802.3u 100Base-TX; IEEE802.3ab 1000Base-T; IEEE802.3z 1000Base-X; IEEE802.3x	
Ethernet Port	10/100BaseT(X), Auto-sensing, Full/half duplex MDI/MDI-X self-adaption	
Fiber Port Feature	Gigabit SFP Port (Fiber module is not included)	
Forwarding Mode	Store and Forward	
Switching Capacity	256Gbps (Non-blocking)	
Forwarding Rate @64byte	38.69Mpps	
CPU Memory	1G	
Flash	128M	
MAC	8K	
Buffer Memory	4M	
Twisted Pair Transmission	10BASE-T: Cat3,4,5 UTP(≤100 meter) ;100BASE-TX: Cat5e or later UTP(≤100 meter) ;1000BASE-TX: Cat6 or later UTP(≤100 meter)	
Power Supply Pin	Default: 1/2(+), 3/6(-)	
MAX/Average Power Per Port	30W/15.4W	
Total PWR / Input Voltage	400W (AC100-240V)	
Power Consumption	Standby:<6W; Full Load:<400W	
LED	Power indicator PWR(yellow); Network indicator:Link (yellow); SFP fiber port :L/A (green); POE indicator : PoE (green); Rate indicator: (green)	
Reset Button	Yes	
Power Supply	Built in power supply, AC100~240V 50-60Hz 6.6A	
Operation TEMP/Humidity	-20~+55°C; 5%~90% RH Non-condensing	
Installation Method	desktop type, 19 inch 1U cabinet installation	
Port lightning protection	Port lightning protection : 4KV 8/20us; Protection level: IP30	
Certification	CCC; CE mark, commercial; CE/LVD EN60950; FCC Part 15 Class B; RoHS;	
Warranty	1 year	
Management		
Interface	IEEE802.3x flow control (full duplex) Broadcast storm suppression for port rate support speed limit for incoming and offline message traffic, with a minimum particle size of 64Kbps. Temperature protection setting Energy saving configuration of port IEEE Ethernet	
PoE Management	Total power limit of PoE power supply; PoE output power allocation per port, close /af/at; PoE output priority configuration for each port; PoE working state display per port; Power delay start; PoE work and time scheduling	
VLAN	Support port based VLAN (4K), IEEE802.1q/protocol based VLAN/Access, Trunk, Hybrid three types of port configuration/QinQ configuration	
Multicast	Support IGMP Snooping V1/V2 and support 1024 multicast groups at most Support the user's quick departure mechanism Support MLD Snooping V1/V2 Support multicast VLAN	
Image	Bi-directional traffic mirroring supporting the basic port	

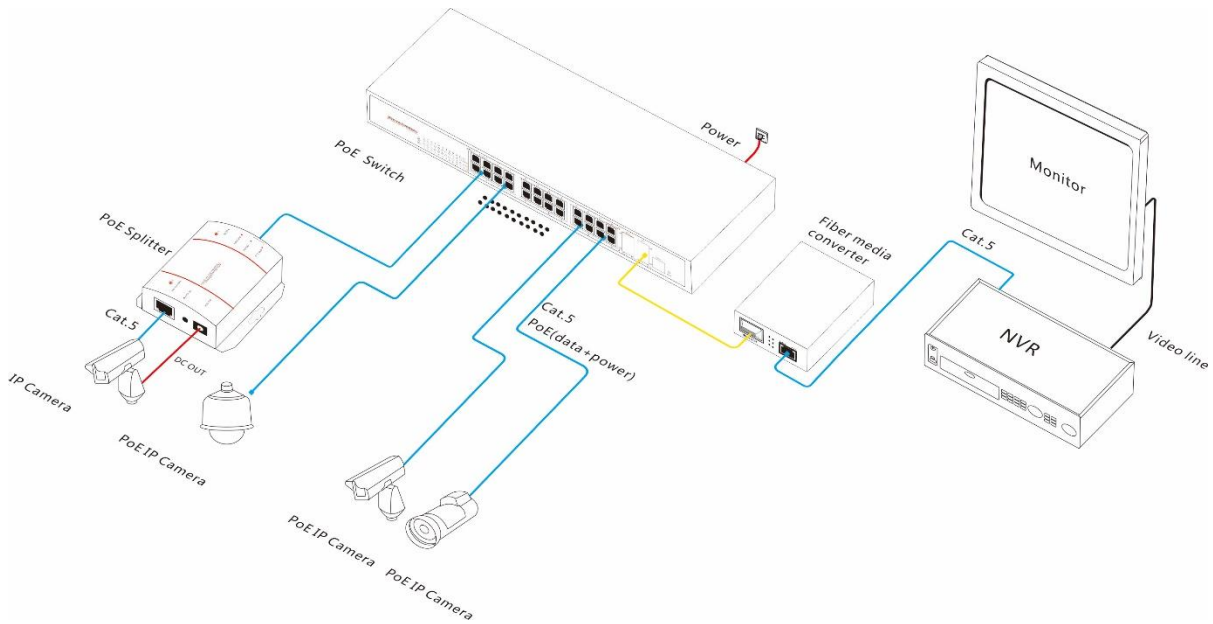
QoS	Diff-Serv QoS; Each port supports 8 output queues; 802.1p/DSCP priority mapping; queue scheduling mechanism (SP, WRR, SP+WRR); priority tag Mark/Remark; stream based packet filtering; stream based redirection; flow based speed limit
ACL	Support L2 to L4 packet filtering function, can match the first 80 bytes of the message, provide based on the source MAC address, destination MAC address, source IP address, destination IP address, IP protocol type, TCP/UDP port, TCP/UDP port range, VLAN and other definition ACL. Support ACL based on port and VLAN
DHCP	Support DHCP Client; DHCP Snooping; DHCP Serve; DHCP Relay
Safety Characteristics	Support user grading management and password protection; IEEE802.1X authentication / centralized MAC address authentication; AAA&RADIUS authentication; The number of MAC address learning restrictions; MAC address black hole; SSH 2 to provide secure passwords for user login; SSL to ensure data transmission security; Port isolation; The speed limit function of ARP message; IP source address protection; ARP intrusion detection function; Against DoS attacks; Port broadcast message suppression; Host data backup mechanism; Binding capabilities of IP+MAC+VLAN+ ports
Port Aggregation	Support LACP/static polymerization/largest 8 aggregation groups, each aggregation group supports 8 ports.
Spanning Tree	STP (IEEE802.1d); RSTP (IEEE802.1w); MSTP (IEEE802.1s)
Industrial Ring Network Protocol	Support G.8032 (ERPS), support 255 loops at most, and supports 1024 devices per ring. The self healing time of the ring network is less than 20ms
Management And Maintenance	Console/AUX Modem/Telnet/SSH2.0 CLI command line configuration; WEB management (support for HTTPS); FTP, TFTP, Xmodem, SFTP file download management; SNMP V1/V2C/V3; Support one bond reduction; NTP clock; System work log; Ping detection; Support cable state detection; Support CPU instant utilization status view; Support link layer discovery protocol LLDP; ONV NMS cluster management supporting ONV service (LLDP+SNMP)
System Requirements	Web browser: Mozilla Firefox 2.5 or higher, Google browser chrome V42 or higher, Microsoft Internet Explorer10 or later; 5 types and above Ethernet cable; TCP/ IP, network adapter and network operating system (such as Microsoft Windows, Linux or Mac OS X) are installed on computers in the network.

Dimension



- | | |
|--------------------------|---|
| A. Working LED indicator | D. CONSOLE Port |
| B. 22* Gigabit PoE Ports | E. 2* Sets of Gigabit TP/SFP Combo Port |
| C. 2* Gigabit SFP Ports | F. 100-240VAC, 50/60Hz |

Application:



ORDERING INFORMATION:

Accessories

Product	Model	Description	Unit
SFP Fiber Module	AZSFP-2MLC	1.25G speed, 850nm wavelength, 550m transmission, multimode dual fiber LC interface, 3.3v voltage, DDM function, support hot plug.	PC
	AZSFP-2SLC	1.25G speed, 1310nm wavelength, 20km transmission, single-mode dual fiber LC interface, 3.3v voltage, DDM function, support hot plug.	PC
	AZSFP-1SLC	1.25G speed, single fiber two-way optical module, 20km transmission, Tx1310/Rx1550nm 1310nm transmission, 1550nm reception. Single mode single fiber LC interface, 3.3v voltage, DDM function, support hot plug.	Pair