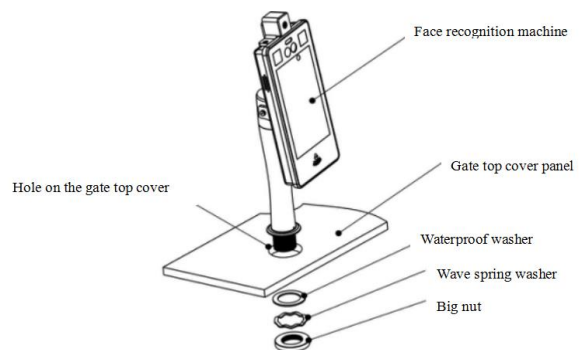
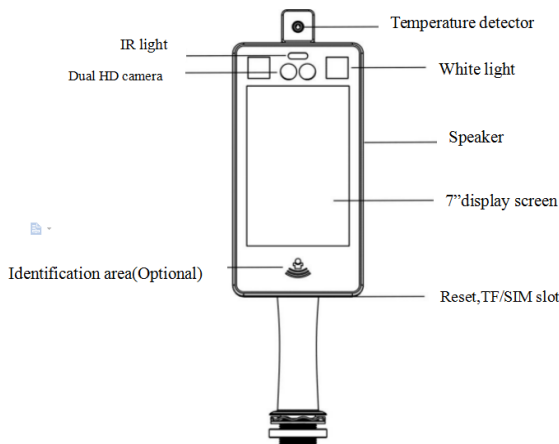




**Model: AZTC6133**

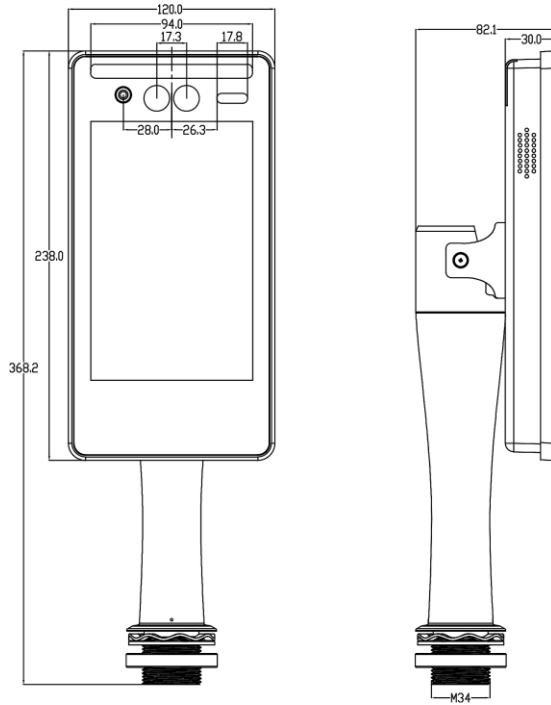
**DESCRIPTION:**

- ◆ Embedded Industrial grade Linux operating system
- ◆ Integrated face capturing and recognition function with infrared temperature measurement
- ◆ All in one solution (face capture, recognition, forehead temperature detection), support real time video output
- ◆ Detection method: non-contact forehead temperature detection within 2s; detection distance 25-40cm, temperature error range  $\pm 0.3-0.5^{\circ}$  C, abnormal temperature with voice reporting
- ◆ Industrial grade design, pitch Angle, left and right rotation adjustable
- ◆ Support active face detection, effective prevention of photos and video spoofing
- ◆ Face mask recognition
- ◆ Face database 10,000, easy face template importing, support single/batch image file import and real-time face capture import
- ◆ Support face types of ordinary people, eg whitelist people, blacklist people, etc.
- ◆ Support recognize result linkage I/O, Wiegand port output, voice broadcast
- ◆ Built-in Wi-Fi Connection (optional)
- ◆ Dual camera design

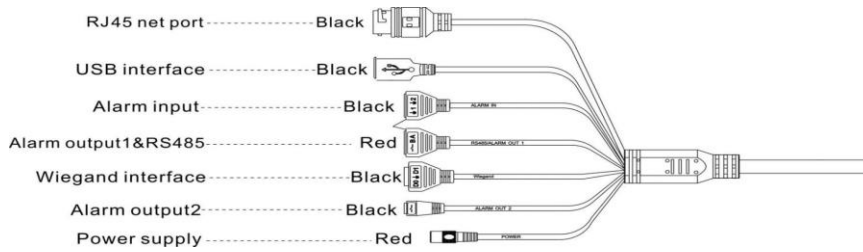


MODEL	AZTC6133
<b>SPECIFICATIONS</b>	
Screen Dimensions	7 inch, full-angle IPS LCD screen
Screen Resolution	1280 x 720
Camera Type	Dual Camera Design
Camera Image Sensor	1/2.8" SONY starlight CMOS
Camera Resolution	1920 x 1080 @ 30fps
Lens	3.6mm x 2
Temperature Scanning Area	Forehead
Temperature Range	34-42 °C
Temperature Scanning Distance	25 – 40 cm
Temperature Accuracy	± 0.3 °C @ 36-38 °C, ± 0.5 °C @ 38-42 °C
Temperature Scanning Speed	1 sec
Face Detection Features	Support live face detection, avoid photos and video spoofing
Face recognition distance	0.3-0.5m, support detection target size filter adjustment
Recognize face size	Human distance ≥ 60 pixels; Face pixel ≥150 pixels
Face database capacity	Support built-in ≤ 10000 faces; support black/white list
Posture	Support side face filter, comparable within 20 degrees in vertical and 30 degrees in horizontal
Unobstructed Detection	Cap/hat, eye glasses, bangs hairstyle will not affect detection
Expression	any slight expressions will not affect recognition
Response Speed	2 sec
Face exposure	Support
Local Storage	Support storage of 100,000 records
Recognition area	Full image recognition, support zone optional setting
Upload Method	TCP, FTP, HTTP, API code
<b>Network Function</b>	
Network protocol	IPv4, TCP/IP, NTP, FTP, HTTP
Interface protocol	RTSP
Security Mode	Authorized username and password
Event linkage	TF card storage, FTP upload, alarm output linkage, Wiegand output linkage, voice broadcast
System Upgrade	Support remote upgrade
<b>General &amp; Interface</b>	
Supplementary Light	IR light, LED white light
Speaker	Built-in with programmable voice reporting
Network Interface	RJ45 10/100 Base
Alarm Input / Output	2 IN / 2 OUT
WiFi connection	Optional - Built-in 2.4G 802.11b/g/n
TF Card	1 slot, max 128GB
USB	1
Wiegand Interface	Wiegand 26, 34, 66 protocols
Reset Button	Yes
4G SIM Card	4G LTE (optional)
RFID Card Reader	Optional
Operating Temperature / Humidity	-10°C ~ +60°C / > 90% RH
Protection Level	- / for indoor use only
Power Supply / Power Consumption	DC 12V / <12W
Unit Dimension	238mm(H)*120mm(W)*30mm(D)
Installation Type	Wall installation / gateway installation / floor stand installation
Certification	FCC / CE

### Dimension



### Wire Interface :



### Installation Type :



Floor Stand Bracket  
1-1.5M adjustable  
(optional)



Gateway Installation Bracket  
(optional)