



3100 & 7200 Programming Sheet V2.6

Main Board Version: V1.88B for 3100 & V1.8A PC for 7200 (voice)	GSM Board Version: GSM V1.5A
Enter Installer Programming Mode: [*] + [MODE] + [5 digits Installer Code] + [#]	
Exit Installer Programming Mode: [*] + [MODE] + [#]	

PC	Item	Description	Zone LED
Zone Type Setting (Zone 1 – Zone 8)			1 2 3 4 5 6 7 8 9
01	Fire Zone	Zone LED ON mean smoke detector is connected to this zone	○○○○ ○○○○ ×
02	24-Hour Zone	Zone LED ON mean the zone is assigned as 24-hour zone	○○○○ ○○○○ ×
03	Instant Zone	Zone LED ON mean the zone is assigned as instant zone	●●●● ●●●● ×
04	Delay Zone	Zone LED ON mean the zone is assigned as delay zone	●○○○ ○○○○ ×
05	Zone Follower	Zone LED ON mean the zone is assigned as zone follower	○○○○ ○○○○ ×
06	Day Stay Zone	Zone LED ON mean the zone is assigned as day stay zone	○○○○ ○○○○ ×
07	Night Stay Zone	Zone LED ON mean the zone is assigned as night stay zone	○○○○ ○○○○ ×
08	Silent Zone	Zone LED ON mean the zone is assigned as silent zone (24-hour)	○○○○ ○○○○ ×
09	Light Zone	Zone LED ON mean the zone is assigned as light zone	○○○○ ○○○○ ×
*Zone 1 to 8 is End of Line type (must connect with 2K ohm resistor). Zone 9 is NC/NO type (without resistor).			
Zone 9 Setting			
10	Zone 9	Zone 1 LED ON mean the zone is assigned as Fire Zone Zone 2 LED ON mean the zone is assigned as 24-Hour Zone Zone 3 LED ON mean the zone is assigned as Momentary ELSE Latch Remote Control Zone 4 LED ON mean the zone is assigned as Normally Close ELSE Normally Open Zone 5 LED ON mean enable Siren Toot ELSE Strobe Light blink on Remote Control Arm or Disarm (Toot once/ Blink 3 sec : ARM, Toot twice/ Blink 8 sec : DISARM)	○●●○ ●××× ×
Other Setting (For Zone 1 – Zone 9)			
11	Zone Response	Zone LED ON mean the zone is programmed as Fast Response Zone LED OFF mean the zone is programmed as Slow Response (*Zone response time open for setting in [33 & 34])	●●●● ●●●● ●
12	Zone Trip Count Group	Zone LED ON mean the zone is programmed to the zone trip count group (*Zone trip counter open for setting in [35])	○○○○ ○○○○ ○
Reporting Setting			
13	CMS Zone Reporting	Zone LED ON mean zone triggered will report to CMS	●●●● ●●●● ●
14	CMS Reporting (*CMS Reporting in Contact ID Format)	Zone 1 LED ON mean enable keypad emergency buttons (F,M,P) report Zone 2 LED ON mean enable duress report Zone 3 LED ON mean enable arm/disarm report Zone 4 LED ON mean enable bypass/unbypass report Zone 5 LED ON mean enable AC fail report Zone 6 LED ON mean enable low system battery report Zone 7 LED ON mean enable siren fail report Zone 8 LED ON mean enable system reset report	●●●● ●●●● ×

15	Communicator Setting Mode	Zone 1 LED ON mean enable CMS Reporting Zone 2 LED ON mean enable Personal Reporting Zone 3 LED ON mean enable Double Call Zone 4 LED ON mean enable Pulse Dialing ELSE DTMF Dialing Zone 5 LED ON mean enable Voice Module (optional for voice model) Zone 6 LED ON mean enable AC Fail Personal Reporting (optional for voice model) Zone 7 LED ON mean enable Siren Fail Personal Reporting (optional for voice model) Zone 8 LED ON mean enable Battery Low Personal Reporting (optional for voice model)	○●○○ ○○○○ ×
Home Automation Setting			
16	Zone Triggered HA Point Mode	Zone LED ON mean enable HA point (*Zone 1 LED representing HA point 1, Zone 2 LED representing HA point 2, etc.)	○○○○ ○○○○ ×
17	Timer 1 Triggered HA Point Mode	Zone LED ON mean enable HA point (*Zone 1 LED representing HA point 1, Zone 2 LED representing HA point 2, etc.)	○○○○ ○○○○ ×
18	Timer 2 Triggered HA Point Mode	Zone LED ON mean enable HA point (*Zone 1 LED representing HA point 1, Zone 2 LED representing HA point 2, etc.)	○○○○ ○○○○ ×
System Option			
19	System Option Mode	Zone 1 LED ON mean enable Keypad Buzzer during Entry Delay Zone 2 LED ON mean enable Keypad Buzzer during Exit Delay Zone 3 LED ON mean enable Keypad Emergency Buttons (F,M,P) Zone 4 LED ON mean enable Backup Battery Test Hourly Zone 5 LED ON mean enable Telephone Line Detection Hourly when users are not at home Zone 6 LED ON mean enable Power Up Delay for 2 minutes Zone 7 LED ON mean enable PO1 as Exit Delay Indicator ELSE Arm/Disarm Indicator (optional for voice model) Zone 8 LED ON mean enable PO2 as EM Lock Control ELSE Alarm Triggered Indicator (optional for voice model)	●●●● ●○○○ ×
20	Activate Keypad and HA Module	Zone 1 LED ON mean Keypad 1 is activated Zone 2 LED ON mean Keypad 2 is activated Zone 3 LED ON mean Keypad 3 is activated Zone 4 LED ON mean Keypad 4 is activated Zone 5 LED ON mean HA Module 1 is activated Zone 6 LED ON mean HA Module 2 is activated Zone 7 LED ON mean GSM Module is activated(optional for GSM model) Zone 8 LED ON mean PC Interface is activated (optional for PC model)	●○○○ ○○○○ ×
21	Holiday HA Point Mode (1 am to 7 am)	Zone LED ON mean enable HA point (*Zone 1 LED representing HA point 1, Zone 2 LED representing HA point 2, etc.)	○○○○ ○○○○ ×

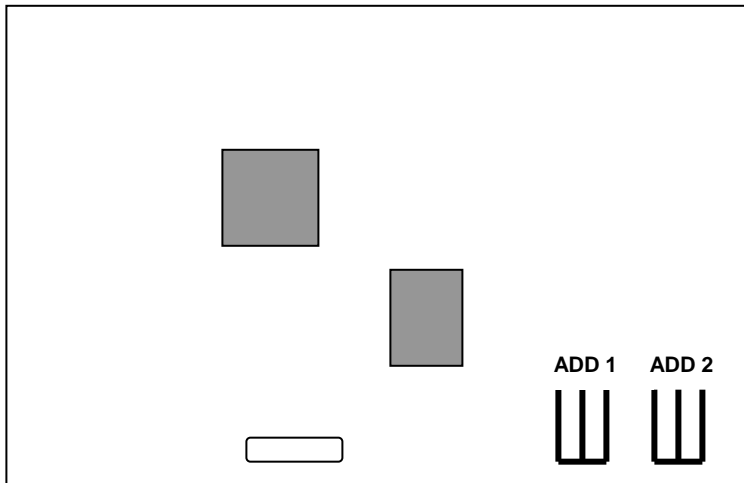
PC	Item	Description	Zone LED
GSM Setting			1 2 3 4 5 6 7 8 9
22	GSM Reporting (optional for GSM model)	Zone 1 LED ON mean enable GSM CMS Reporting Zone 2 LED ON mean enable GSM Personal Reporting Zone 3 LED ON mean enable GSM SMS Reporting to 1st Personal Telephone Number Zone 4 LED ON mean enable GSM SMS Reporting to 2nd Personal Telephone Number Zone 5 LED ON mean enable GSM Module Real Time Telephone Line Detection Zone 6 LED ON mean enable GSM Module Buzzer Beeps If Telephone Line Fail Zone 7 LED ON mean enable GSM SMS Arm/Disarm Report Zone 8 LED ON mean enable GSM SMS System Trouble Report (AC Fail/Restore, Battery Low/ Restore and Siren Fail/Restore)	○○○○ ○○○○ ×
23	GSM SMS Reporting (optional for GSM model)	Zone 1 LED ON mean enable SMS Report in Chinese Version ELSE English Version Zone 2 LED ON mean GSM Signal Low Reporting via Fixed Line	○○×× ×××× ×

PC	Item	Description	Default
30	Entry Delay Timer	From 0 to 255 seconds	030#
31	Exit Delay Timer	From 0 to 255 seconds	060#
32	Siren Timer	From 0 to 255 minutes	005#
33	Zone Fast Response Timer	From 1 to 255 * 10 ms	003#
34	Zone Slow Response Timer	From 1 to 255 * 10 ms	020#
35	Zone Trip Counter	From 1 to 255 times. If counter exceed, zone trip count group [12] will trigger	005#
36	Zone Trip Counter Reset Timer	From 1 to 255 minutes. Zone trip counter [35] reset timer	010#
37	Keypad Lock Counter	From 1 to 255 times of password error before keypad lock (*To prevent password guessing)	010#
38	Keypad Lock Time	From 0 to 255 minutes	003#
39	Dialing Attempt	From 1 to 255 times dialing trial for Personal and CMS Reporting	005#
40	Number of Rings to Call In	From 1 to 255 rings	010#
41	CMS Periodic Test Report	From 0 to 255 hours	024#
42	CMS Account Number 1	4 digits CMS account number 1	0000#
43	CMS Account Number 2	4 digits CMS account number 2	0000#
44	CMS Telephone Number 1	Maximum 14 digits telephone number 1	#

45	CMS Telephone Number 2	Maximum 14 digits telephone number 2	#
46	Change Installer Code	5 digits installer code	12345#
47	Reset Master Code	Reset Master Code as 1234	#
48	Reset Memory	Reset all programming settings except installer code	#
49	GSM Area Code	KL/SEL: 03, Penang/Kedah/Perlis: 04, Perak: 05, Malacca/N.Sembilan: 06, Johor: 07, Sabah/Sarawak: 8x, Pahang/Kelantan/Terengganu: 09	03#
50	Night Time Hour Starts	From 00 to 23 (24-Hour format, e.g. press 20# for 8pm. Press 99# to disable the night time)	99#
51	Night Time Hour Ends	From 00 to 23 (24-Hour format, e.g. press 20# for 8pm. Press 99# to disable the night time)	99#
55	CMS Test Report Hour	From 00 to 23 (If CMS Periodic Test Report [41] is 24 hours)	00#
56	CMS Test Report Minute	From 00 to 59 (If CMS Periodic Test Report [41] is 24 hours)	00#

Remarks: Maximum 4 Keypads and 2 HA Modules (8 HA Points)

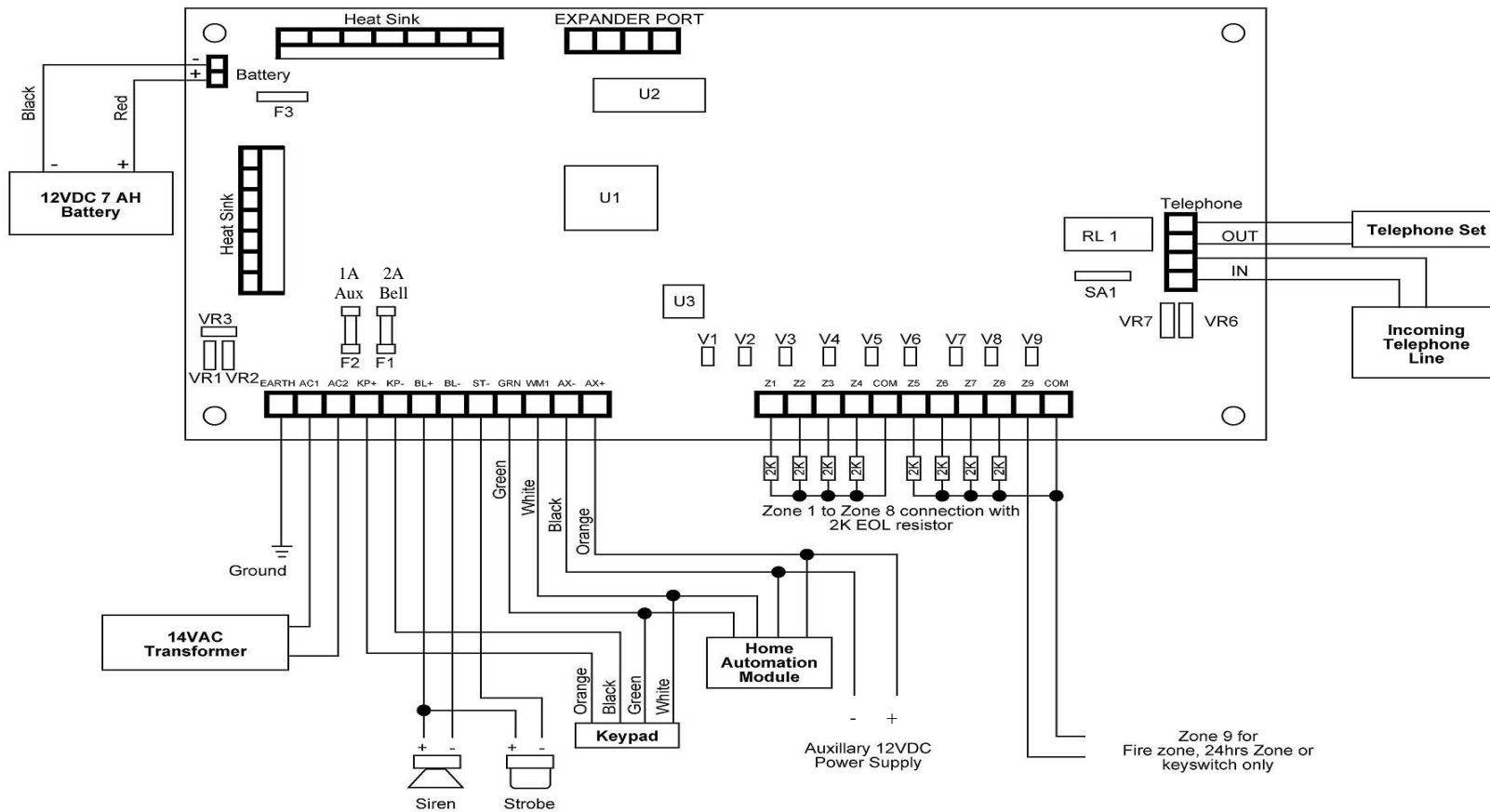
DCODE™ - Keypad ID Setting



KEYPAD NO.	ID SETTING	
	ADD1	ADD2
KEYPAD 1 (Default)		
KEYPAD 2		
KEYPAD 3		
KEYPAD 4		



DCODE™ 3100 System Wiring Diagram (TONE)



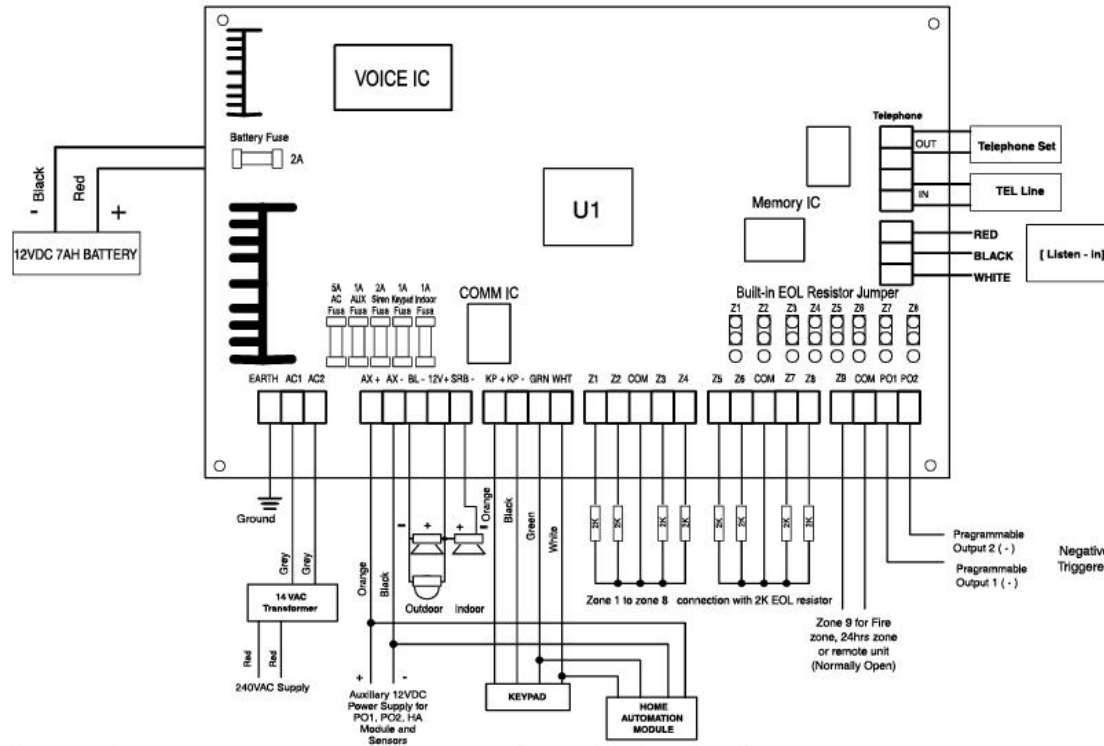
NO.	SYMBOL	DESCRIPTION
1	EARTH	System earth point.
2	AC1	Connect to the 40 VA, 14VAC
3	AC2	Transformer.
4	KP+	(+) 12VDC for keypad.
5	KP-	(-) 12VDC for keypad.
6	BL+	(+) 12 VDC for Siren and strobe light.
7	BL-	(-) 12 VDC for Siren.
8	SRB-	(-) 12 VDC for strobe light.
9	GRN	Keypad and expander board communication bus.
10	WTE	Keypad and expander board communication bus.
11	AX-	(-) 12 VDC for detectors and expander board.
12	AX+	(+) 12 VDC for detectors and expander board.

For Servicing Please Call:

Date of Installation :

NO.	SYMBOL	DESCRIPTION
13	Z1	Zone 1
14	Z2	Zone 2
15	Z3	Zone 3
16	Z4	Zone 4
17	COM	Zone Negative terminal
18	Z5	Zone 5
19	Z6	Zone 6
20	Z7	Zone 7
21	Z8	Zone 8
22	Z9	Zone 9
23	COM	Zone Negative terminal
24	TEL IN1	Incoming Telephone line (Tip)
25	TEL IN2	Incoming Telephone line (Ring)
26	TEL OUT1	Telephone line to telephone set (Tip)
27	TEL OUT2	Telephone line to telephone set (Ring)

DCODE 7200 System Wiring Diagram (VOICE)



NO.	SYMBOL	DESCRIPTION
1	E	System earth point.
2	AC1	Connect to transformer Output (Grey).
3	AC2	Connect to transformer Output (Grey).
4	AX+	(+) 12VDC for detector and expander board.
5	AX-	(-) 12VDC for detector and expander board.
6	BL-	(-) 12VDC outdoor siren and strobe light.
7	12V	(+) 12VDC for siren and strobe light.
8	SRB-	(-) 12VDC for in door siren
9	KP+	(+) 12VDC for keypad.
10	KP-	(-) 12VDC for keypad.
11	GRN	Keypad and expander board communication bus.
12	WHT	Keypad and expander board communication bus.
13	Z1	Security zone 1.
14	Z2	Security zone 2.
15	COM	Zone negative terminal.
16	Z3	Security zone 3.
17	Z4	Security zone 4.

NO.	SYMBOL	DESCRIPTION
18	Z5	Security zone 5.
19	Z6	Security zone 6.
20	COM	Zone negative terminal.
21	Z7	Security zone 7.
22	Z8	Security zone 8.
23	Z9	Security zone 9.
24	COM	Zone negative terminal.
25	PO1	PGM output 1 (-) 12VDC - Exit delay or Arm/Disarm.
26	PO2	PGM output 2 (-) 12VDC - EM lock or Alarm triggered.
LISTEN IN		
27	WHE	Listen in control line.
28	BLK	(-) 12VDC for listen in module.
29	RED	(+) 12VDC for listen in module.
TELEPHONY		
30	TEL IN 1	Incoming telephone line.
31	TEL IN 2	Incoming telephone line.
32	TEL OUT 1	Outgoing line to telephone set.
33	TEL OUT 2	Outgoing line to telephone set.

Built-in EOL Resistor Jumper



7200 Latest Version Update

Main Board Version: V1.6PC
GSM Board Version: GSM V1.3a

1. Telephone dial tone detection during call out will be disabled to ensure CALL OUT via any Prepaid Fixed Line.
2. Button [M] represents number [✖] in all Reporting Telephone Number programming.
3. Duress Report will be included in all Personal Reporting.
4. System will be able to call up to 4 personal telephone numbers with the setting as table below.

Calling Sequence	When Enable CMS Reporting : ON LED 1 of location [15] in Installer Programming	When Disable CMS Reporting : OFF LED 1 of location [15] in Installer Programming
1	CMS Telephone Number 1	Personal Telephone Number 1
2	CMS Telephone Number 2	Personal Telephone Number 2
3	Personal Telephone Number 1	Personal Telephone Number 3
4	Personal Telephone Number 2	Personal Telephone Number 4

When CMS reporting is disabled, CMS Telephone Number 1 and 2 in PC [44] and [45] will automatically change to Personal Telephone Number 1 and 2. Meanwhile, existing Personal Telephone Number in location [17] and [18] in User Programming Mode will become Personal Telephone Number 3 and 4.

5. User Code 1(Master Code), User Code 2, User Code 3 and User Code 4 can be used as Remote Telephony Control password.
6. GSM reporting will remain as 2 personal reporting and 2 CMS reporting.
7. System ARM/DISARM SMS reporting in Installer Programming PC [22], LED 7.
8. System Trouble SMS reporting in Installer Programming PC [22], LED 8.
9. All SMS reporting is selectable in Chinese or English Version with Installer Programming PC [23], LED 1.