

INTRODUCTION

The **DCOD** Control Panel is designed for simple operation yet provides the maximum protection for you. Please read this manual carefully and follow the instructions contained in this book. Fill in the system information page and store this manual in a safe place for future reference.

Your security system consists of a main control panel, one or more keypads and home automation (HA) modules, various sensors and detectors. An enclosure will contain the control panel, which includes the system electronics and standby battery.

TESTING

To ensure that your system is functioning, it is important that you test your system weekly. Please refer to testing procedures section in this manual. If your system does not function properly, please contact your system installer for services. There is normally no reason for anyone other than the installer or service professional to have access to the control panel.

LIMITATIONS

Even though DCOD is an advanced security system, it does not 100% guarantee the protection against burglary, fire or other losses. Any alarm system whether commercial or residential is subjected to compromise or failure-to-warn for a variety of reasons. These include:

- Intruders may gain access through unprotected openings or have the technical sophistication to bypass an alarm sensor or disconnect an alarm warning device.
- Intrusion detectors, smoke detectors and many sensing devices will not operate without power. Devices powered by AC will not work if there is no AC power supply for any reason and the back-up battery is missing, dead or improperly installed.
- Alarm warning devices such as sirens may not alert people or wake up sleepers if they are located on the other side of closed or partly closed doors.
- Telephone line needed to transmit alarm events from the premise to a central monitoring station may be out or temporary out of service. Telephone line is subject to compromise by sophisticated method of attack.
- Smoke detector used in conjunction with the alarm system may not sense fire that start from where smoke cannot reach the detector such as wall, roof or the other side of the doors. Smoke detector also may not sense a fire on another level of the residence or building. In general, detectors may not always warn you about fire caused by carelessness and safety hazards like smoking, violent explosions, escaping gas, improper storage of flammable material, overloaded electrical circuits, children playing with matches.
- The most common cause of an alarm system not functioning properly when an intrusion or fire occurs is inadequate maintenance. Therefore, your system should be tested weekly to ensure all detectors or sensors are working properly.
- Installing an alarm system may make you eligible for lower insurance rates but an alarm system is not a substitute for insurance. Homeowners, property owners and renters should continue to insure their lives and properties.

SYSTEM INFORMATION

Central Monitoring Station Number : _____

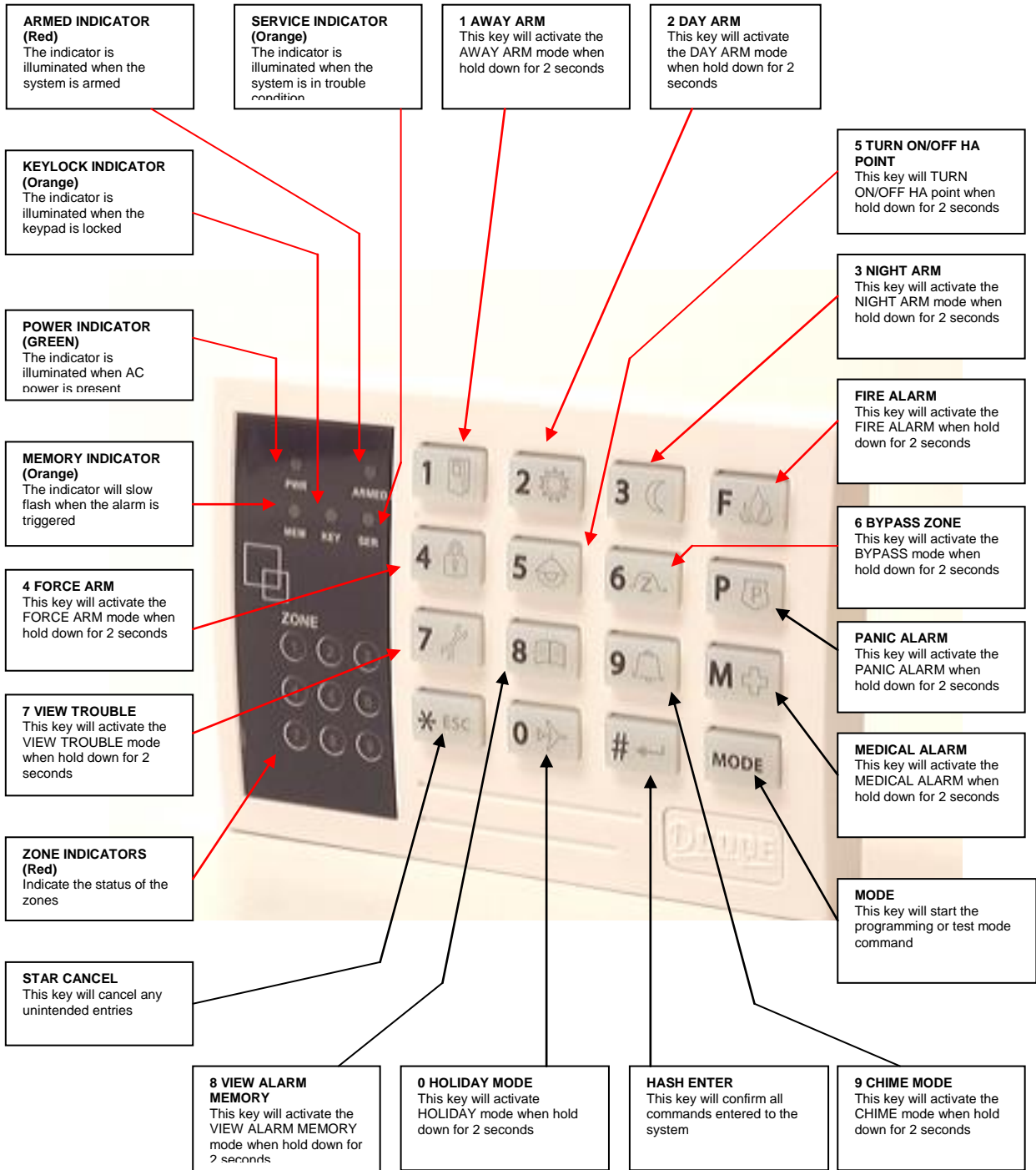
Central Monitoring Station Account Number : _____

Note: All information is subject to changes without prior notice.

GLOSSARY

Alarm Memory	This is the history of the most recent violations that occurred the last time when an alarm was triggered.
Arm	To set the system into the ARMED mode. In this mode, a zone violation will activate an alarm condition. If the system is programmed accordingly, it will cause a reporting code to be sent to the central monitoring station.
Bypass	To deactivate zone. When the panel is ARMED, violation of a bypassed zone will be ignored.
Chime	A short beep sound from the keypad to indicate a zone is violated.
Day Arm	Instant arming that allows for certain preprogrammed, DAY STAY zones to be violated while the system is armed. In this mode, an ENTRY delay time will be given to the user to disarm using the keypad after entering the armed premises.
Day Stay Zone	Zones that are bypassed automatically when the system is DAY ARMED.
Disarm	To deactivate the system. FIRE, PANIC and MEDICAL remain active while the system is disarmed.
Duress Code	An ambush code which will disarm the system and simultaneously send a silent distress signal to the central monitoring station.
Entry/Exit Zone	A zone with programmable delay time will allow user to exit the premises after arming the system and disarm by using the keypad after entering the armed premises. This zone is generally the last exit point and the first entry point of the building, i.e. the front door of a house.
Follower Zone	A zone that may be temporary violated during exit delay period or after the first violation of an ENTRY/EXIT zone. This allows the user access to disarm the system. A FOLLOWER zone will behave as an instant zone if it is violated prior to the violation of an ENTRY/EXIT zone.
Force Arm	Arming with exit delay that allows for certain violated zones to be bypassed temporary. When the violated zones resume, these zones will be protected. There is an ENTRY delay time in this arming mode.
Instant Zone	When the system is armed, any violation of an instant zone will immediately cause an alarm condition to be registered.
Night Arm	Instant arming that allows for certain preprogrammed, NIGHT STAY zones to be violated while the system is armed. In this mode, there is no ENTRY delay time for the user.
Night Stay Zone	Zones that are bypassed automatically when the system is NIGHT ARMED.
Remote Control Arm	Arming with a momentary or latch remote control module. In this mode, it allows certain violated zones to be bypassed temporary. When the violated zones resume, the zone will be protected. There is an ENTRY and EXIT delay time in this arming mode.
Zone	A specific area of your premises guarded by sensors, which detect violations of that area.

UNDERSTAND YOUR KEYPAD INDICATORS

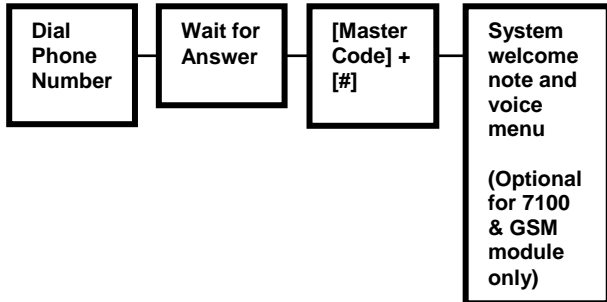


SUMMARY OF OPERATION

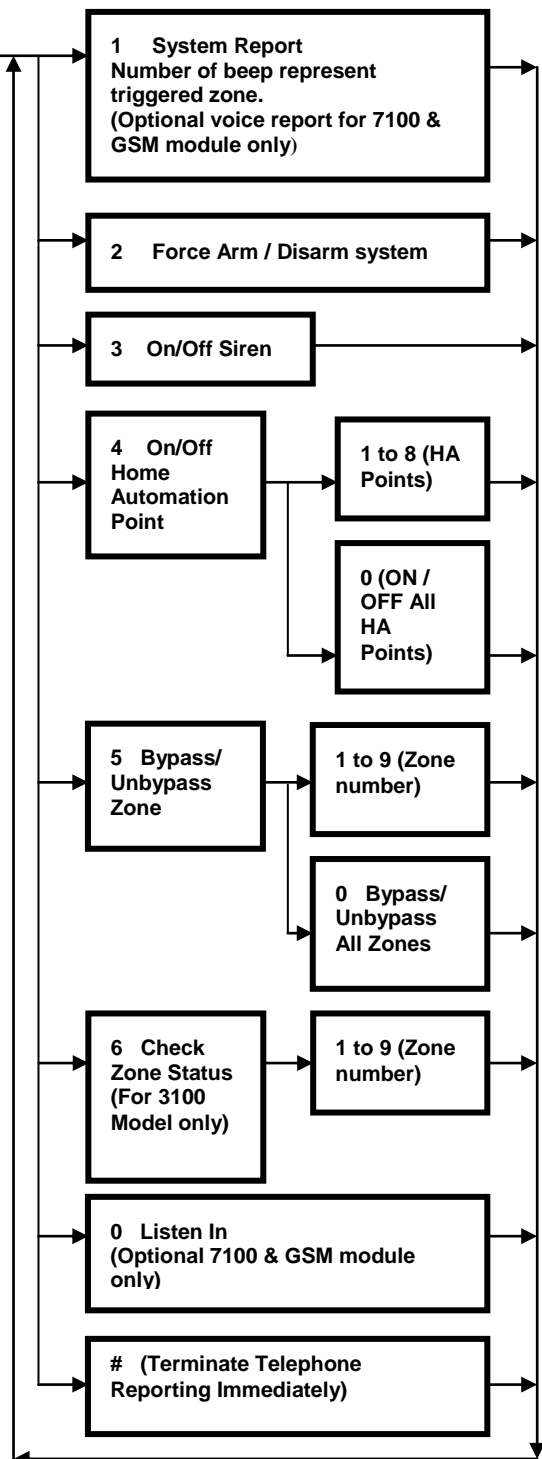
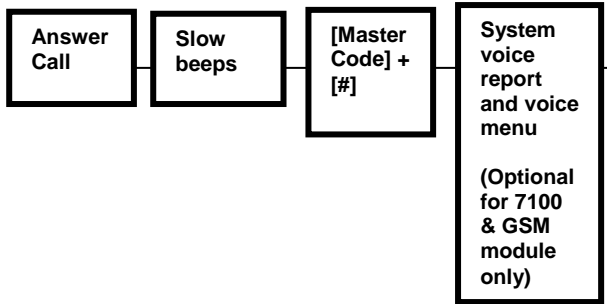
Automatic Arm/Disarm	[User Code] + [#]
Away Arm	Hold down [1] for 2 seconds
Day Arm	Hold down [2] for 2 seconds
Night Arm	Hold down [3] for 2 seconds
Force Arm	Hold down [4] for 2 seconds
Turn On/Off HA Point	Hold down [5] for 2 seconds + [HA point numbers] + [#]
Bypass Zone	Hold down [6] for 2 seconds + [zone numbers] + [#]
View Trouble	Hold down [7] for 2 seconds
View Alarm Memory	Hold down [8] for 2 seconds
Program Chime Zone	Hold down [9] for 2 seconds + [zone numbers] + [#]
Holiday Mode	Hold down [0] for 2 seconds
Fire Alarm	Hold down [F] for 2 seconds
Panic Alarm	Hold down [P] for 2 seconds
Medical Alarm	Hold down [M] for 2 seconds
Turn On/Off Keypad Buzzer	Hold down [MODE] for 2 seconds
Walk Test	[MODE] + [1] + [#]
CMS Test	[MODE] + [2] + [#]
Siren Test	[MODE] + [3] + [#]
Strobe Light Test	[MODE] + [4] + [#]
Battery Test	[MODE] + [5] + [#]
Enter User Programming Mode	[MODE] + [Master Code] + [#]
Exit User Programming Mode	[MODE] + [#]

3100, 7100 & GSM MODULE TELEPHONY CONTROL DIAGRAM

Call In to System:



System Call Out:



Remark:

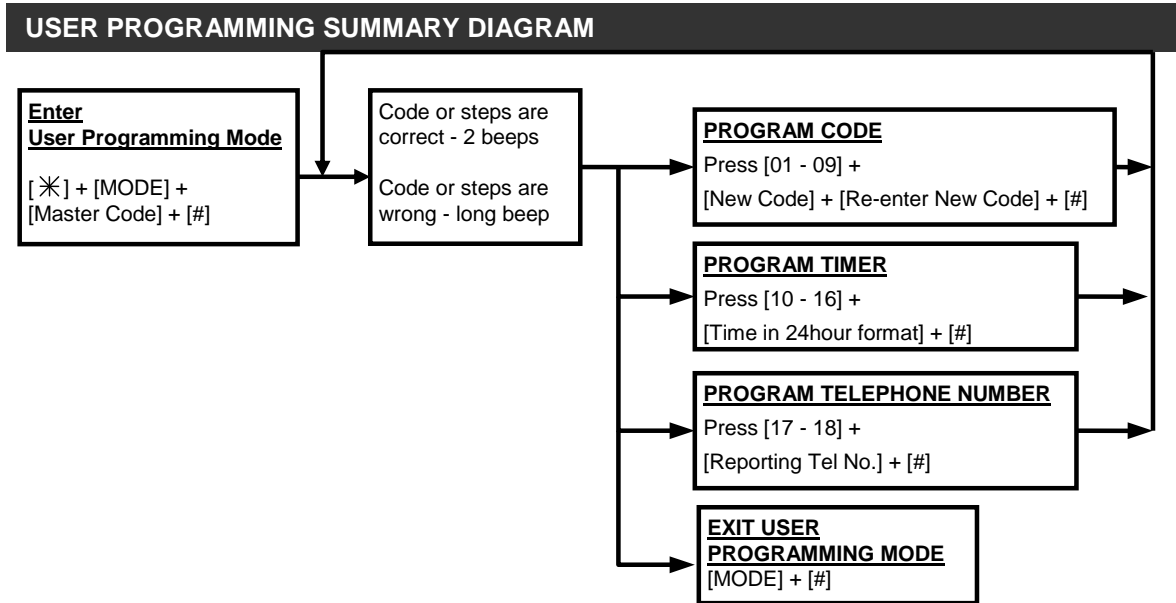
The system will automatically cut off telephone line if the user does not key in any number for more than 60 seconds or key in wrong master code more than 3 times.

System without voice reporting (Model 3100)

2 short beeps: indicate the system is ARM / SIREN IS ON / ZONE BYPASSED / ZONE

STATUS is CLOSED.

1 long beep: indicate the system is DISARMED / SIREN is OFF / ZONE UNBYPASSED / ZONE STATUS is OPEN.



USER PROGRAMMING SUMMARY TABLE

Enter User Programming Mode	[*] + [MODE] + [4 digit user master Code] + [#]
Exit User Programming Mode	[MODE] + [#]
Program New or Change Existing Master Code	[01] + [New User Code] + [Re-enter New User Code] + [#]
Program New or Change Existing User Code 2	[02] + [New User Code] + [Re-enter New User Code] + [#]
Program New or Change Existing User Code 3	[03] + [New User Code] + [Re-enter New User Code] + [#]
Program New or Change Existing User Code 4	[04] + [New User Code] + [Re-enter New User Code] + [#]
Program New or Change Existing User Code 5	[05] + [New User Code] + [Re-enter New User Code] + [#]
Program New or Change Existing User Code 6	[06] + [New User Code] + [Re-enter New User Code] + [#]
Program New or Change Existing User Code 7	[07] + [New User Code] + [Re-enter New User Code] + [#]
Program New or Change Existing User Code 8	[08] + [New User Code] + [Re-enter New User Code] + [#]
Program New or Change Existing Duress Code	[09] + [New User Code] + [Re-enter New User Code] + [#]
Remark: All programmed codes must be unique from each other. Duplicate code will be rejected during user programming mode.	

USER PROGRAMMING SUMMARY TABLE

Program System Real Time Clock	[10] + [Current Time] + [#]
Program Auto Arm Timer	[11] + [Auto Arm Timer] + [#]
Program Auto Disarm Timer	[12] + [Auto Disarm Timer] + [#]
Program Auto ON HA Points Timer 1	[13] + [Auto ON HA Points Timer 1] + [#]
Program Auto OFF HA Points Timer 1	[14] + [Auto OFF HA Points Timer 1] + [#]
Program Auto ON HA Points Timer 2	[15] + [Auto ON HA Points Timer 2] + [#]
Program Auto OFF HA Points Timer 2	[16] + [Auto OFF HA Points Timer 2] + [#]
Remark: All programmed timer must be in 24-hour format e.g. 7 am = 07 00, 8 pm= 20 00.	
Program Personal Telephone Number 1	[17] + [Personal Telephone Number 1] + [#]
Program Personal Telephone Number 2	[18] + [Personal Telephone Number 2] + [#]

ARMING THE SYSTEM

There are various options for arming the system

- a. **Away Arming**
- b. **Day Arming**
- c. **Night Arming**
- d. **Force Arming**
- e. **Holiday Arming**
- f. **Remote Control Away Arming**
- g. **Timer Auto Arming**
- h. **Telephone Remote Arming**

AWAY ARMING

[*] + [USER CODE] + [#]

(Leave via ENTRY/EXIT Zone)

1. Ensure that all zone indicators are distinguished; if not, check that all protected premises are closed.
2. Press the **[*]** key to cancel any unintended entries.
3. Enter a valid 4-digit **[USER CODE]**. If you enter any mistakes, press **[*]** key and re-enter the code followed by **[#]** key to confirm you command.
4. The **ARMED** indicator will illuminate and the keypad audible indicator will sound on and off for the duration of the **EXIT** delay. Any bypassed zones will be shown by the flashing zone indicators.
5. Leave the premises only via the **EXIT/ENTRY** zone.
6. During AWAY arming, the telephone line will be supervised hourly. If the telephone line is disconnected, a new trouble condition will be registered (please refer to View System Trouble at page 13).
7. User will be given an **ENTRY** delay time to disarm the system when enter the protected premises via **ENTRY/EXIT** zone.

[1]

(Press and hold down for 2 seconds)

8. It is also possible to AWAY arm by simply enter and hold down **[1]** key for 2 seconds.

DAY ARMING

[2]

(Press and hold down for 2 seconds)

1. This arming mode is ideal for **DAY** time arming with user still remains in the protected premises.
2. In this mode, the system will be armed instantly with certain preprogrammed, **DAY STAY** zones bypassed automatically.
3. Ensure that all zone indicators are distinguished; if not, check that all protected premises are closed.
4. DO NOT open the **ENTRY/EXIT** zone.
5. Enter and hold down **[2]** key for 2 seconds.
6. The **ARMED** indicator will illuminate and the keypad audible indicator will sound 2 beeps to confirm the arming.
7. Any **DAY STAY** zones will be automatically bypassed (shown by flashing zone indicators).

-
8. User will be given an **ENTRY** delay time to **DISARM** the system when enter the protected premises via **ENTRY/EXIT** zone.

Error! NIGHT ARMING**[3]**

(Press and hold down for 2 seconds)

1. This arming mode is ideal for **NIGHT** time arming with user still remains in the protected premises.
2. In this mode, the system will be armed instantly with certain preprogrammed, **NIGHT STAY** zones bypassed automatically.
3. Ensure that all zone indicators are distinguished; if not, check that all protected premises are closed.
4. DO NOT open the **ENTRY/EXIT** zone.
5. Enter and hold down **[3]** key for 2 seconds.
6. The **ARMED** indicator will illuminate and the keypad audible indicator will sound 2 beeps to confirm the arming.
7. Any **NIGHT STAY** zones will be automatically bypassed (shown by flashing zone indicators).
8. There is no **ENTRY** delay in this arming mode. Any violation on the active zones will trigger the system instantly.

FORCE ARMING**[4]**

(Press and hold down for 2 seconds)

1. In this mode, the system will be armed with **EXIT** delay time which allows certain violated zones to be bypassed temporary. When the violated zones resume, the zone will be protected again.
2. Enter and hold down **[4]** key for 2 seconds.
3. The **ARMED** indicator will illuminate and the keypad audible indicator will sound on and off for the duration of the **EXIT** delay. Any bypassed zones will be shown by the flashing zone indicators.
4. User will be given an **ENTRY** delay time to **DISARM** the system when enter the protected premises via **ENTRY/EXIT** zone.

Error! HOLIDAY ARMING**[0]**

(Press and hold down for 2 seconds)

1. This arming mode is ideal for long away occasion (holiday).
2. In this mode, the system will be **AWAY** armed. Home Automation points will be random ON/OFF every hour to simulate occupancy from 7pm to 1am.
3. Ensure that all zone indicators are distinguished; if not, check that all protected premises are closed.
4. Enter and hold down **[0]** key for 2 seconds.
5. The **ARMED** indicator will illuminate and the keypad audible indicator will sound on and off for the duration of the **EXIT** delay. Any bypassed zones will be shown by the flashing zone indicators.
6. Leave the premises only via the **EXIT/ENTRY** zone.
7. User will be given an **ENTRY** delay time to disarm the system when enter the protected premises via **ENTRY/EXIT** zone.
8. After disarming, Home Automation random ON/OFF function will be deactivated and the system will resume to normal Home Automation ON/OFF timers setting.

REMOTE CONTROL ARMING

1. This arming mode is ideal for remote control unit or key-switch arming.
2. The system will arm in **AWAY** arming mode.
3. The system will be armed with **EXIT** delay time which allows certain violated zones to be bypassed temporary. When the violated zones resume, the zone will be protected again.
4. Press the remote control button or twist and release the key-switch.
5. The system will be armed instantly. Leave the premises via **ENTRY/EXIT** zone.
6. The **ARMED** indicator will illuminate and the keypad audible indicator will sound 2 beeps to confirm the arming.
7. If programmed to do so, the siren will sound briefly for this remote control arming (please refer to Installer Programming section – system option setting).
8. User will be given an **ENTRY** delay time to DISARM the system when enter the protected premises via **ENTRY/EXIT** zone.

TIMER AUTO ARMING

1. Your system can be programmed to automatically **ARM** itself according to a programmed schedule.

2. This arming mode will automatically turn to **FORCE ARM** mode when the system timer reaches the preset **AUTO ARM** time.
3. Please refer to User Programming section – Program Auto ARM Timer at Page17.

Error! TELEPHONE REMOTE ARMING

1. Your system can be remotely ARM from outside the house through any normal DTMF telephone or GSM hand phone.
2. This arming mode will automatically turn to **FORCE ARM** mode when the user enter a correct Master Code through Telephone or hand phone.
3. Please refer to Telephone Control Diagram at page 5.

DISARMING THE SYSTEM

There are various options for disarming the system:

- a. Keypad Disarming
- b. Remote Control Disarming
- c. Timer Auto Disarming
- d. Telephone Remote Disarm

KEYPAD DISARMING

[USER CODE] + [#]

1. To disarm the system, enter a valid 4-digit **[USER CODE]** followed by **[#]** key before expiry of the entry delay time.
2. Enter the premises through a designated **ENTRY/EXIT** zone; entering via other zones will trigger an alarm instantly.
3. The **ENTRY** delay begins once the **ENTRY** zone is violated.
4. The keypad audible indicator will sound for the duration of the **ENTRY** delay to indicate that a valid user code is required.
5. If the **ARMED** indicator remains illuminated, an error has been made while entering the user code, press **[*]** key and re-enter the user code.
6. Once the system is disarmed, the **ARMED** indicator will extinguish and the keypad audible indicator will stop.
7. If no valid user code has been entered by the end of the **ENTRY** delay period, an **ALARM** condition will be registered and stored into the system **MEMORY**.
8. If programmed to do so, the keypad will be locked and non-responsive for a preprogrammed period for certain number of incorrect user codes, which are entered consecutively more than the keypad lock counter.
9. If the **ENTRY** delay is too short, have your installer to change the **ENTRY** delay period.
10. If the **MEMORY** indicator is flashing upon entry, there has been an intrusion. Call for assistance. The intruder may still be inside.

REMOTE CONTROL DISARMING

1. To instantly disarm the system, press the remote control button or twist and release the key-switch.
2. If the **ARMED** indicator remains illuminated, press the remote control button or twist and release the key-switch again.
3. The system will be disarmed instantly. The **ARMED** indicator will extinguish and the keypad audible indicator will sound 2 beeps to confirm the disarming.
4. If programmed to do so, the siren will sound briefly for this remote control disarming.

TIMER AUTO DISARMING

1. Your system can be programmed to automatically **DISARM** itself according to a programmed schedule.
2. Please refer to User Programming section – Program Auto Disarm Timer at page 18.

TELEPHONE REMOTE DISARMING

1. Your system can be remotely **DISARM** from outside the house through any normal DTMF telephone or GSM hand phone.
2. This disarming mode will automatically turn off the security system when the user enters a correct Master Code through Telephone or hand phone.
3. Please refer to Telephone Control Diagram at page 5.

TURN ON/OFF HOME AUTOMATION POINT

[5] + **[HA POINT NUMBERS]** + **[#]**
(Press and hold down for 2 seconds) (1 to 8)

1. Enter and hold down **[5]** key for 2 seconds.
2. The **POWER** and **ARMED** indicators will slow flash and keypad audible indicator will sound 2 beeps.
3. Zone indicators 1 to 8 will turn ON if the respective HA points are ON.
4. Zone indicators 1 to 8 will turn OFF if the respective HA points are OFF.
5. Enter the **HA point numbers** followed by **[#]** key. Keypad audible indicator will sound 2 beeps to confirm the command and the system will be back to normal mode.

e.g. To turn ON/OFF HA point 3 and 4:

Press and hold down **[5]** for 2 seconds + **[3]** + **[4]** + **[#]**

Keypad audible indicator will sound 2 beeps to confirm the command. HA point 3 and 4 will turn ON.

BYPASS ZONE

[6] + [ZONE NUMBERS] + [#]
 (Press and hold down for 2 seconds) (1 to 9 or 0 to bypass all zones)

1. Enter and hold down [6] key for 2 seconds.
2. The **ARMED** and **KEYLOCK** indicators will slow flash and keypad audible indicator will sound 2 beeps.
3. Press the zone number that needs to be bypassed, e.g. press [2] if you wish to bypass zone 2.
4. Repeat step 3 to bypass other zones.
5. Press [#] key to exit the bypass mode and keypad audible indicator will sound 2 beeps to confirm the command.
6. The relevant **ZONE** indicator will slow flash to indicate that the zone is bypassed now.
7. Zones cannot be bypassed once the system is armed.
8. All bypassed zones will be automatically un-bypassed each time the system is disarmed and must be reapplied before the next arming.

UN-BYPASS ZONE

[6] + [ZONE NUMBERS] + [#]
 (Press and hold down for 2 seconds) (1 to 9 or 0 to bypass all zones)

1. Enter and hold down [6] key for 2 seconds.
2. The **ARMED** and **KEYLOCK** indicators will slow flash and keypad audible indicator will sound 2 beeps.
3. Press the zone number corresponding to the current bypassed zone.
4. Repeat step 3 to un-bypass other zones.
5. Press [#] key to exit the un-bypass mode and keypad audible indicator will sound 2 beeps to confirm the command.
6. The relevant **ZONE** indicator will extinguish to indicate that the zone is now active.

VIEW SYSTEM TROUBLE

[7]
 (Press and hold down for 2 seconds)

1. The system will monitor a number of possible trouble conditions. If one of these conditions occurs, the **SERVICE** indicator will turn ON.
2. The **SERVICE** indicator will still be illuminated until the trouble is restored.
3. Enter and hold down [7] key for 2 seconds.
4. The **SERVICE** and **KEYLOCK** indicators will slow flash and keypad audible indicator will sound 2 beeps.
5. One or more **ZONE** indicators will turn ON to indicate the troubles occur.
6. Press [#] key to exit and keypad audible indicator will sound 2 beeps.

ZONE 1 indicator	AC Loss
ZONE 2 indicator	Real Time Clock Loss
ZONE 3 indicator	Siren Fail
ZONE 4 indicator	Battery Low Voltage
ZONE 5 indicator	Telephone Line/GSM CMS Reporting Fail
ZONE 6 indicator	Telephone Line/GSM Personal Reporting Fail
ZONE 7 indicator	Telephone Line Connection Fail

Remark: Zone 1, 2, 3 and 4 indicators will only be extinguished after the troubles are restored.
Zone 5, 6 and 7 indicators will be extinguished when they are viewed once.

VIEW ALARM MEMORY

[8]

(Press and hold down for 2 seconds)

1. The system alarm memory will store the most recent alarm condition. An alarm condition will cause the **MEMORY** indicator to slow flash.
2. The **MEMORY** indicator will extinguish once the user enters **VIEW ALARM MEMORY** mode.
3. Enter and hold down **[8]** key for 2 seconds.
4. The **MEMORY** indicator will turn ON and keypad audible indicator will sound 2 beeps.
5. One or more **ZONE** indicators will turn ON to indicate the zones that cause the most recent alarm.
6. Press **[#]** key to exit and keypad audible indicator will sound 2 beeps.

CHIME MODE

The chime mode allows user to monitor nominated zones while the system is disarmed. The audible indicator will sound briefly when the nominated zone is violated – the siren will NOT sound. If you wish to know there is someone enters or exits the front door, the keypad will beep once when the door is opened provided the zone is a chime zone.

[9]

(Press and hold down for 2 seconds)

+ [ZONE NUMBERS] + [#]

(1 to 9 or 0 to enable all zones)

1. Press and hold down **[9]** key for 2 seconds.
2. The **POWER** and **KEYLOCK** indicators will slow flash and keypad audible indicator will sound 2 beeps.
3. To change any zone to chime zone, just press the key corresponding to that zone. The zone indicator will illuminate constantly.
4. Press **[#]** key to exit the chime mode and keypad audible indicator will sound 2 beeps to confirm the command.

e.g. To program zone 3 and zone 4 as CHIME zones:

Press and hold down **[9]** for 2 seconds + **[3]** + **[4]** + **[#]**

Keypad audible indicator will sound 2 beeps to confirm the command. Zone 3 and 4 are now CHIME zones.

TO CANCEL CHIME ZONE:

Repeat the above steps and ensure that the zone indicator is extinguished.

EMERGENCY SITUATION**FIRE MODE****[F]**

(Press and hold down for 2 seconds)

1. This key will activate the FIRE ALARM condition when it is held down for 2 seconds.
2. The FIRE ALARM condition can also be triggered by an installed smoke detector, which is set as fire zone.
3. The siren will sound and the FIRE REPORTING CODE will be transmitted to the central monitoring station.
4. To silence the siren, enter a 4-digit user code followed by **[#]** key.

PANIC MODE**[P]**

(Press and hold down for 2 seconds)

1. This key will activate the PANIC ALARM condition when it is held down for 2 seconds.
2. The PANIC ALARM condition can also be activated by any FIXED or REMOTE PANIC button that has been installed.
3. If the panic button is set as silent zone, then the PANIC REPORTING CODE will be transmitted to the central monitoring station without the siren sounding. Ensure that your installer has enabled this function if it is required.
4. To silence the siren, enter a valid 4-digit user code followed by **[#]** key. If the siren is not cancelled, it will stop automatically after the SIREN TIME OUT period.
5. Press this key only in an emergency situation that requires response by emergency personnel.

MEDICAL MODE**[M]**

(Press and hold down for 2 seconds)

1. This key will activate the MEDICAL ALARM condition when it is held down for 2 seconds.
2. The keypad audible indicator will sound to indicate that a MEDICAL ALARM has been initiated.
3. The siren will sound and the MEDICAL REPORTING CODE will be transmitted to the central monitoring station.
4. To silence the siren, enter a 4-digit user code followed by **[#]** key.

DURESS CODE

1. This is a special 4-digit user code that is only used in the unique situation where an intruder forces one to disarm the system “under duress”.
2. When the duress code is entered, the control panel will be disarmed. However, a DURESS REPORTING CODE is transmitted to the central monitoring station to inform them that you have been forced to disarm the control panel by an intruder.
3. It is advisable to choose a code that can be easily remembered by all family (or staff) members.

USER PROGRAMMING MODE

ENTER USER PROGRAMMING MODE

[*] [MODE] + [USER MASTER CODE] + [#]

1. Ensure that the system is not ARMED.
2. Press the [*] key to cancel any unintended entries.
3. Press [MODE] key to go into **USER PROGRAMMING** mode.
4. Enter a valid 4-digit [USER MASTER CODE]. If you enter any mistakes, press [*] key and repeat step 3.
5. If a wrong USER MASTER CODE is entered, a long beep will be sound. Repeat step 3-4 to enter USER PROGRAMMING MODE.
6. The **POWER** and **SERVICE** indicators will slow flash and the keypad audible indicator will sound 2 beeps if a valid USER MASTER CODE is entered.
7. Enter **COMMAND ADDRESS** according to the setting that you wish to change (Please refer to User Programming Summary Table at page 6 & 7).
8. To exit user programming mode, press [MODE] followed by [#] key.

EXIT USER PROGRAMMING MODE

[MODE] + [#]

1. Once all setting is programmed, press [MODE] followed by [#] key to exit.
2. The **POWER** and **SERVICE** indicators will stop flashing.
3. The keypad will sound 2 beeps to confirm the exit command.

PROGRAM NEW AND CHANGING EXISTING CODE

[COMMAND ADDRESS] + [NEW CODE] + [RE-ENTER NEW CODE] + [#]

1. Ensure that the system is in USER PROGRAMMING mode.
2. Enter [COMMAND ADDRESS] that you wish to change (01-09).
3. Enter the new 4-digit [USER CODE] and re-enter the new 4-digit [USER CODE] followed by [#] key.
4. Repeat step 2-3 to enter or change other user codes.
5. If any of the user codes are not used, please ensure that they are all erased.
6. To exit user programming mode, press [MODE] followed by [#] key.

ERASE USER CODE

[COMMAND ADDRESS] + [0000] + [0000] + [#]

1. Ensure that the system is in USER PROGRAMMING mode.
2. Enter **[COMMAND ADDRESS]** that you wish to erase followed by **[#]** key.
3. Enter the 4-digit **[0000]** and re-enter the 4-digit **[0000]** followed by **[#]** key.
4. Repeat step 2-3 to erase other user codes.
5. Master and Duress codes cannot be erased.
6. To exit user programming mode, press **[MODE]** followed by **[#]** key.

PROGRAM SYSTEM TIMER**[10] + [CURRENT TIME] + [#]**

1. Ensure that the system is in USER PROGRAMMING mode.
2. Enter **[10]** for system timer setting.
3. Enter the **[CURRENT TIME]** in 24-hour format, e.g. 8:00pm is 20:00.
4. Enter **[#]** key to confirm the time.
5. To exit user programming mode, press **[MODE]** followed by **[#]** key.

PROGRAM AUTO ARM TIMER**[11] + [AUTO ARM TIMER] + [#]**

1. Ensure that the system is in USER PROGRAMMING mode.
2. Enter **[11]** for auto arm timer setting.
3. Enter the **[AUTO ARM TIMER]** in 24-hour format, e.g. 8:00pm is 20:00.
4. Enter **[#]** key to confirm the time.
5. To exit user programming mode, press **[MODE]** followed by **[#]** key.

TO ERASE AUTO ARM TIMER**[11] + [#]**

1. Ensure that the system is in USER PROGRAMMING mode.
2. Enter **[11]** for auto arm timer setting.
3. Enter the **[#]** key to erase previous AUTO ARM TIMER setting.
4. To exit user programming mode, press **[MODE]** followed by **[#]** key.

PROGRAM AUTO DISARM TIMER**[12] + [AUTO DISARM TIMER] + [#]**

1. Ensure that the system is in USER PROGRAMMING mode.
2. Enter **[12]** for auto disarm timer setting.

3. Enter the **[AUTO DISARM TIMER]** in 24-hour format, e.g. 8:00pm is 20:00.
4. Enter **[#]** key to confirm the time.
5. To exit user programming mode, press **[MODE]** followed by **[#]** key.

TO ERASE AUTO DISARM TIMER

[12] + [#]

1. Ensure that the system is in USER PROGRAMMING mode.
2. Enter **[12]** for auto disarm timer setting.
3. Enter the **[#]** key to erase previous AUTO DISARM TIMER setting.
4. To exit user programming mode, press **[MODE]** followed by **[#]** key.

PROGRAM AUTO ON TIMER 1 FOR HOME AUTOMATION

[13] + [AUTO ON TIMER 1] + [#]

1. Ensure that the system is in USER PROGRAMMING mode.
2. Enter **[13]** for auto on timer 1 setting.
3. Enter the **[AUTO ON TIMER 1]** in 24-hour format, e.g. 8:00pm is 20:00.
4. Enter **[#]** key to confirm the time.
5. To exit user programming mode, press **[MODE]** followed by **[#]** key.

TO ERASE AUTO ON TIMER 1 FOR HOME AUTOMATION

[13] + [#]

1. Ensure that the system is in USER PROGRAMMING mode.
2. Enter **[13]** for auto on timer 1 setting.
3. Enter the **[#]** key to erase previous AUTO ON TIMER 1 setting.
4. To exit user programming mode, press **[MODE]** followed by **[#]** key.

PROGRAM AUTO OFF TIMER 1 FOR HOME AUTOMATION

[14] + [AUTO OFF TIMER 1] + [#]

1. Ensure that the system is in USER PROGRAMMING mode.
2. Enter **[14]** for auto off timer 1 setting.
3. Enter the **[AUTO OFF TIMER 1]** in 24-hour format, e.g. 8:00pm is 20:00.
4. Enter **[#]** key to confirm the time.
5. To exit user programming mode, press **[MODE]** followed by **[#]** key.

TO ERASE AUTO OFF TIMER 1 FOR HOME AUTOMATION

[14] + [#]

1. Ensure that the system is in USER PROGRAMMING mode.
2. Enter **[14]** for auto off timer 1 setting.
3. Enter the **[#]** key to erase previous AUTO OFF TIMER 1 setting.
4. To exit user programming mode, press **[MODE]** followed by **[#]** key.

PROGRAM AUTO ON TIMER 2 FOR HOME AUTOMATION**[15] + [AUTO ON TIMER 2] + [#]**

1. Ensure that the system is in USER PROGRAMMING mode.
2. Enter **[15]** for auto on timer 2 setting.
3. Enter the **[AUTO ON TIMER 2]** in 24-hour format, e.g. 8:00pm is 20:00.
4. Enter **[#]** key to confirm the time. 4
5. To exit user programming mode, press **[MODE]** followed by **[#]** key.

TO ERASE AUTO ON TIMER 2 FOR HOME AUTOMATION**[15] + [#]**

1. Ensure that the system is in USER PROGRAMMING mode.
2. Enter **[15]** for auto on timer 2 setting.
3. Enter the **[#]** key to erase previous AUTO ON TIMER 2 setting.
4. To exit user programming mode, press **[MODE]** followed by **[#]** key.

PROGRAM AUTO OFF TIMER 2 FOR HOME AUTOMATION**[16] + [AUTO OFF TIMER 2] + [#]**

1. Ensure that the system is in USER PROGRAMMING mode.
2. Enter **[16]** for auto off timer 2 setting.
3. Enter the **[AUTO OFF TIMER 2]** in 24-hour format, e.g. 8:00pm is 20:00.
4. Enter **[#]** key to confirm the time.
5. To exit user programming mode, press **[MODE]** followed by **[#]** key.

TO ERASE AUTO OFF TIMER 2 FOR HOME AUTOMATION**[16] + [#]**

1. Ensure that the system is in USER PROGRAMMING mode.
2. Enter **[16]** for auto off timer 2 setting.
3. Enter the **[#]** key to erase previous AUTO OFF TIMER 2 setting.
4. To exit user programming mode, press **[MODE]** followed by **[#]** key.

PROGRAM PERSONAL TELEPHONE NUMBER 1**[17] + [PERSONAL TELEPHONE NUMBER 1] + [#]**

1. Ensure that the system is in USER PROGRAMMING mode.
2. Enter **[17]** for personal telephone number 1 setting.
3. Enter the **[PERSONAL TELEPHONE NUMBER 1]**, the maximum telephone number length is 14 digits.
4. Button "P" on the keypad is representing a "PAUSE" key of 3 seconds duration.
5. Enter **[#]** key to confirm the setting.
6. If programmed so, system will call out to user telephone to report any intrusion.

7. If the system fails to contact the preprogrammed personal telephone number 1, system will contact PERSONAL TELEPHONE NUMBER 2 as a back up.
8. To exit user programming mode, press **[MODE]** followed by **[#]** key.

TO ERASE PERSONAL TELEPHONE NUMBER 1

[17] + [#]

1. Ensure that the system is in USER PROGRAMMING mode.
2. Enter **[17]** for personal telephone number 1 setting.
3. Enter the **[#]** key to erase previous personal telephone number 1 setting.
4. To exit user programming mode, press **[MODE]** followed by **[#]** key.

PROGRAM PERSONAL TELEPHONE NUMBER 2 (BACK-UP)

[18] + [PERSONAL TELEPHONE NUMBER 2] + [#]

1. Ensure that the system is in USER PROGRAMMING mode.
2. Enter **[18]** for personal telephone number 2 setting.
3. Enter the **[PERSONAL TELEPHONE NUMBER 2]**, the maximum telephone number length is 14 digits.
4. Button **"P"** on the keypad is representing a "PAUSE" key of 3 seconds duration.
5. Enter **[#]** key to confirm the setting.
6. If programmed so, system will call out to user telephone to report any intrusion.
7. The USER TELEPHONE NUMBER 2 is a back-up reporting telephone number. System will only call through USER TELEPHONE NUMBER 2 if it fails to report through USER TELEPHONE NUMBER 1 during intrusion. If the system fails to report through both of the telephone numbers, a new trouble condition will be registered (please refer to View System Trouble at page 13).
8. To exit user programming mode, press **[MODE]** followed by **[#]** key.

TO ERASE PERSONAL TELEPHONE NUMBER 2

[18] + [#]

1. Ensure that the system is in USER PROGRAMMING mode.
2. Enter **[18]** for personal telephone number 2 setting.
3. Enter the **[#]** key to erase previous personal telephone number 2 setting.
4. To exit user programming mode, press **[MODE]** followed by **[#]** key.

TESTING THE SYSTEM

Users are advised to test the system as frequent as possible. System must be tested at least once every 3 months. If the system is not functioning accordingly, please contact your system installer for technical assistance.

WALK TEST

[MODE] + [1] + [#]

1. Walk Test allows on-site testing of each zone of the system.
2. During walk test mode, the **ARMED** and **SERVICE** indicators will slow flash.
3. Siren will trigger for 2 seconds and keypad buzzer will sound briefly if any zone is violated during walk test mode.
4. If siren and keypad do not sound when zone is violated, consult your system installer.
5. To exit Walk Test, simply press [#] key.

CMS TEST (Manual Test)

[MODE] + [2] + [#]

1. CMS Test allows on-site testing of CMS Reporting.
2. A CMS testing code will be sent to the central monitoring station.
3. Wait for 2 minutes, if CMS reporting fails then a new trouble condition will be registered.
4. Press and hold down [7] key for 2 seconds to view trouble condition and consult your system installer.
5. Please refer to **View System Trouble** at page 13.

SIREN TEST

[MODE] + [3] + [#]

1. Siren Test allows on-site testing of siren functionality.
2. Siren will sound for 3 seconds.
3. If siren does not sound, consult your system installer.

STROBE LIGHT TEST

[MODE] + [4] + [#]

1. Strobe Light Test allows on-site testing of strobe light functionality.
2. Strobe light will flash for 10 seconds.
3. If strobe light does not flash, consult your system installer.

BATTERY TEST

[MODE] + [5] + [#]

1. Battery Test allows on-site testing of battery functionality.
2. Wait for 10 seconds, if back-up battery fails then a new trouble condition will be registered.
3. Press and hold down [7] key for 2 seconds to view the trouble condition and consult your system installer.
4. Please refer to **View System Trouble** at page 13.

SYSTEM INFORMATION**SECURITY ZONE INFORMATION**

Zone No.	Zone Type e.g. Entry/Exit Delay	Location e.g. Main door

SYSTEM SETTING INFORMATION

Timer

Entry Time : _____ seconds

Exit Time : _____ seconds

Siren Cut-Off Time : _____ minutes

Telephone Reporting

Telephone Number 1 : _____

Telephone Number 2 : _____

Dialing Attempt : _____ times

Home Automation

Home Automation 1 Turn On Time ____ : ____ am / pm

Home Automation 1 Turn Off Time ____ : ____ am / pm

Home Automation 2 Turn On Time ____ : ____ am / pm

Home Automation 2 Turn Off Time ____ : ____ am / pm

Sevicing

Installer company : _____

Contact person : _____

Contact number : _____

Installation Date : ____ / ____ / ____