



The Choice for Air and Gas Applications

MR-166S, -185S, -200S, -300 Liquid-Ring Pump

Application

MR is a liquid-ring pump specially designed for pumping liquids containing air or gas. The pump is for use in food, chemical, pharmaceutical and similar industries. The pump is mainly used for CIP-return application.

Standard design

All product wetted parts, i.e. pump casing, casing cover and impeller are made of acid-resistant steel AISI 316L. Seals are made of EPDM rubber. Cap nuts, legs, leg brackets and shroud are made of stainless steel AISI 304. The shroud has noise absorbing lining inside. MR-166S, 185S and 200S: Adaptor is in cast iron which is zinc coated and laquered making it highly corrosion resistant.

Shaft seal

On MR-166S, -185S and 200S, the mechanical single seals have stationary seal rings of acid-resistant steel AISI 329 and rotating seal rings of carbon. The MR-300 has mechanical single seal with stationary seal rings of carbon and rotating seal rings of acid-resistant steel AISI 329.



TECHNICAL DATA

Motor

Standard foot-flanged motor acc. to IEC metric standard 4 pol = 1500/1800 rpm. at 50/60 Hz. IP55 (with drain holes with labyrinth plug), insulation class F.

Motor sizes

50 Hz	60 Hz
2.2 kW (166S)	2.6 kW (166S)
5.5 kW (MR-185S)	6.3 kW (MR-185S)
7.5, 11 kW (MR-200S)	8.6, 12.5 kW (MR-200S)
15, 18.5 kW (MR-300)	17, 21, 25 kW (MR-300)

OPERATING DATA

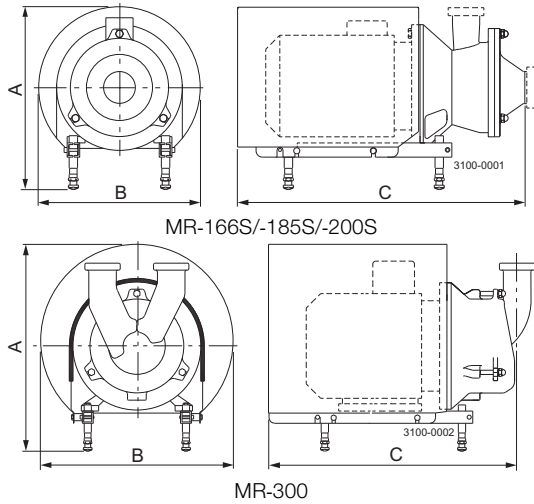
Pressure

Max. inlet pressure: 400 kPa (4 bar).

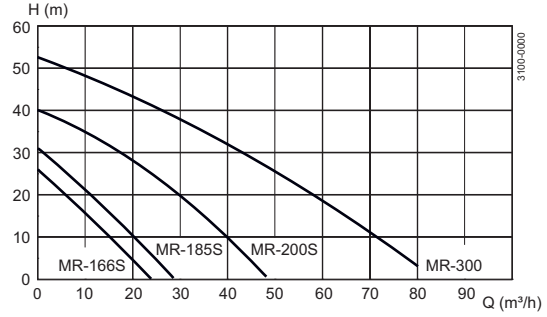
Temperature

Temperature range: -10°C to +140°C (EPDM).

Dimensions (mm)



Volumetric flow MR-166S, -185S, -200S and -300



		MR-166S	MR-185S/200S	MR-300	
Motor	kW			15kW	18.5kW
A	min.	357	380	486	537
A	max.	469	513	603	646
B		323	383	485	533
C		278	300	334	373

Options

- A. Other voltage and frequency.
- B. Flameproof motors (EEXE and EEXD).
- C. Pump without shroud and legs.
- D. Pump without shroud.
- E. Adaptor in stainless steel AISI 304 (MR-185S and MR-200S only).
- F. Noise reduction valve.
- G. Product wetted seals of Nitrile (NBR) or Fluorinated rubber (FPM).
- H. Stationary seal ring with sealing surface of Silicon Carbide (MR-185S and MR-200S only).
- I. Rotating seal ring of Silicon Carbide (MR-185S and MR-200S only).

Ordering

Please state the following when ordering:

- Pump type.
- Voltage and frequency.
- Connections.
- Flow rate, pressure and temperature.
- Density and viscosity of product.
- Options.

Note!

For further information, see also instruction IM70719 and M70733.

Alfa Laval reserves the right to change specifications without prior notification. ALFA LAVAL is a trademark registered and owned by Alfa Laval Corporate AB.

How to contact Alfa Laval

Contact details for all countries are continually updated on our website. Please visit www.alfalaval.com to access the information direct.