



Pressure gauges for sanitary use

Pressure gauges

Application

The Alfa Laval pressure gauge is designed to fulfil the demands of pressure gauges in Sanitary and pharmaceutical production. It is suitable as a local indicator in filtration systems, pump system pressure vessels etc.

Features: Wetted parts in acid-proof, stainless steel. Measuring range -1 to 60 bar. Process temperature up to 200°C.

Working principle

The pressure gauge working principle is build on the Bourdon principle where pressure applied on the diaphragm is transmitted via silicone oil to a bourdon tube which is in mechanical contact with the dial, and thus indicates the pressure applied on the diaphragm.

Standard range

Our standard range is supplied with a liquid-filled housing. It includes a 100 mm dial diameter and a built-in volume compensator and relief plug. The housing is made of stainless steel (AISI 304) and the clamp connection and pressure sensor are made of stainless steel (AISI 316L).



TECHNICAL DATA

Accuracy: Class 1.0 ($\pm 1\%$)

Measuring ranges

- 1 to 1 bar
- 0 to 4 bar
- 0 to 10 bar
- 0 to 16 bar
- 0 to 25 bar
- 0 to 40 bar
- 0 to 60 bar

Pressure overload on diaphragm: short time 130% of FS

Certificates

- FDA conformity declaration (option)
- Calibration Certificate (option)
- 3.1 Certificate (option)

PHYSICAL DATA

Materials

- Wetted parts: AISI 316L
- Casing: AISI304
- Glass: 4 mm thick glass
- Filling bourdon tube: FDA approved silicone oil
- Filling housing: FDA approved silicone oil

Operating temperature

- Wetted parts: up to 200°C.
- Casing: -20 to 70°C.

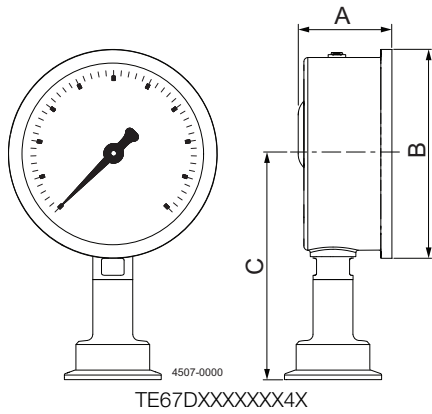
Weight

Pressure gauge with Diaphragm: Approx. 1 kg.

Process connection

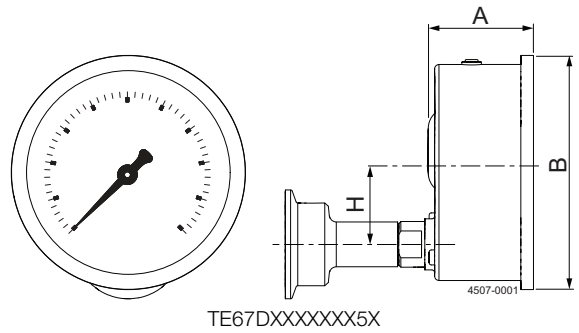
- Clamp DN38 (ISO2852) / Clamp DN40 (DIN32676).
- Clamp DN50 (ISO2857)/Clamp DN51 (DIN32676)

Dimensions (mm)



TE67DXXXXXX4X

A	B	C
48	107	101.5



TE67DXXXXXX5X

A	B
48	107

Alfa Laval reserves the right to change specifications without prior notification. ALFA LAVAL is a trademark registered and owned by Alfa Laval Corporate AB.

ESE00621EN 1208

© Alfa Laval

How to contact Alfa Laval

Contact details for all countries are continually updated on our website. Please visit www.alfalaval.com to access the information direct.