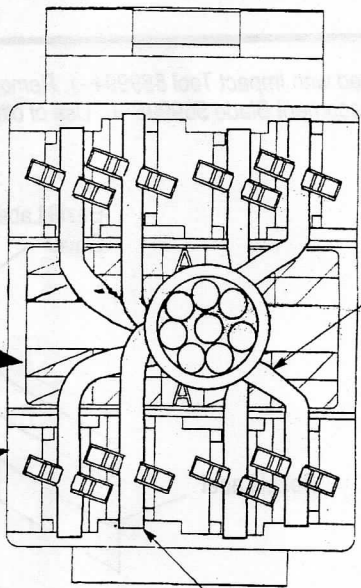
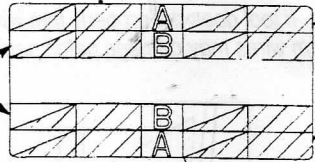


**Four-Pair Color-Coded
Universal Wiring Label**

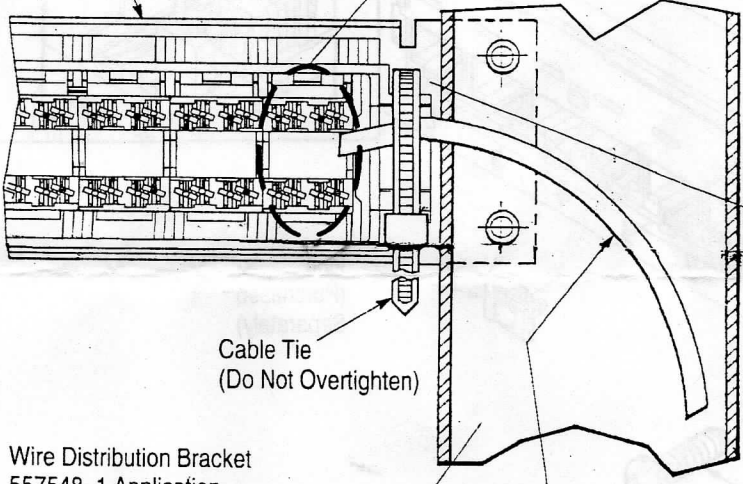
T568B
Color
Pattern

T568A
Color
Pattern



Keep Wires Twisted
to Within 6.0 [.24]
of Termination

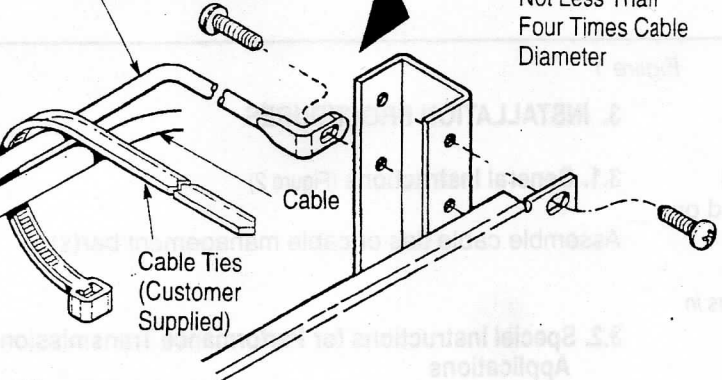
89D Bracket



Cable Tie
(Do Not Overtighten)

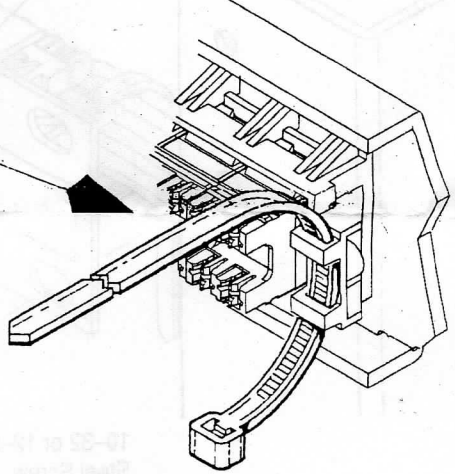
Cable Bend Radii
Not Less Than
Four Times Cable
Diameter

Wire Distribution Bracket
557548-1 Application
(Bar Purchased Separately)



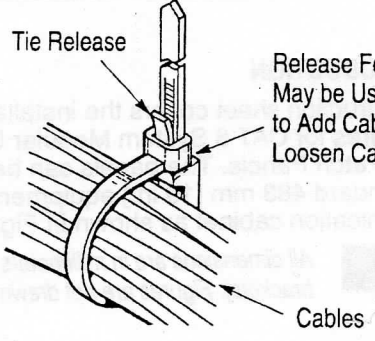
Cable Ties
(Customer
Supplied)

Cable



Tie Release

Release Feature
May be Used
to Add Cables or
Loosen Cable Tie



Cables

Figure 2

4. REVISION SUMMARY

Per EC 0990-0554-01:

- Added NETCONNECT web site in footer
- Changed artwork in Figure 1 for proper cable jacket scale