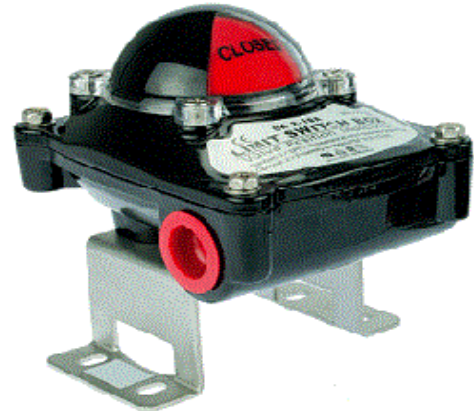


## SPECIFICATION

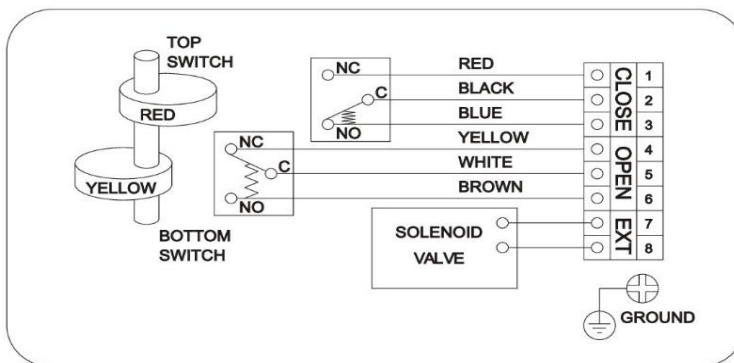
- Solid and compact design
- Bolt-on visual Position Indicator
- Quick-set cam easy adjustment without tools.
- Dual cable entries for easy wiring
- Captive cover bolts
- NAMUR standard stainless steel shaft and bracket
- HONEYWELL mechanical switches

## #ASP-210N

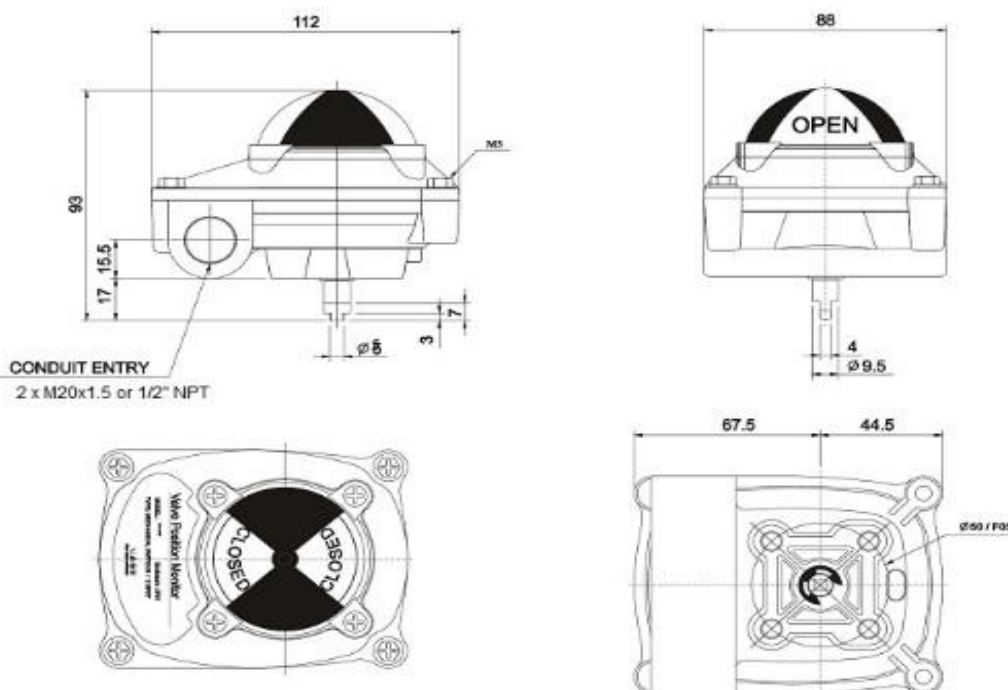


Enclosure:	Weather-proof IP67, NEMA 4, 4X
Temperature Range:	-20 to +80 °C
Conduit Entries:	2 x M20x1.5 (opt. 1/2" NPT/BSP)
Terminal Setting:	8 Points
Position Indicator:	Red for closed, Yellow open
Switch Type:	2-SPDT Omron Mechanical switches
Painting:	Polyester powder coating
Bracket:	Stainless steel

## WIRING DIAGRAM



## DIMENSION (mm)



The specification and dimensions are subject to change without prior notice!

## SPECIFICATION

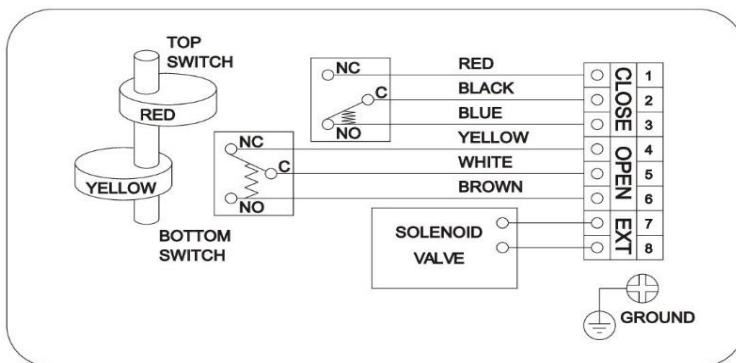
- Solid and compact design
- Bolt-on visual Position Indicator
- Quick-set cam easy adjustment without tools.
- Dual cable entries for easy wiring
- Captive cover bolts
- NAMUR standard stainless steel shaft and bracket
- HONEYWELL mechanical switches

## #ASP-510N ATEX II2G Ex d IIC T6

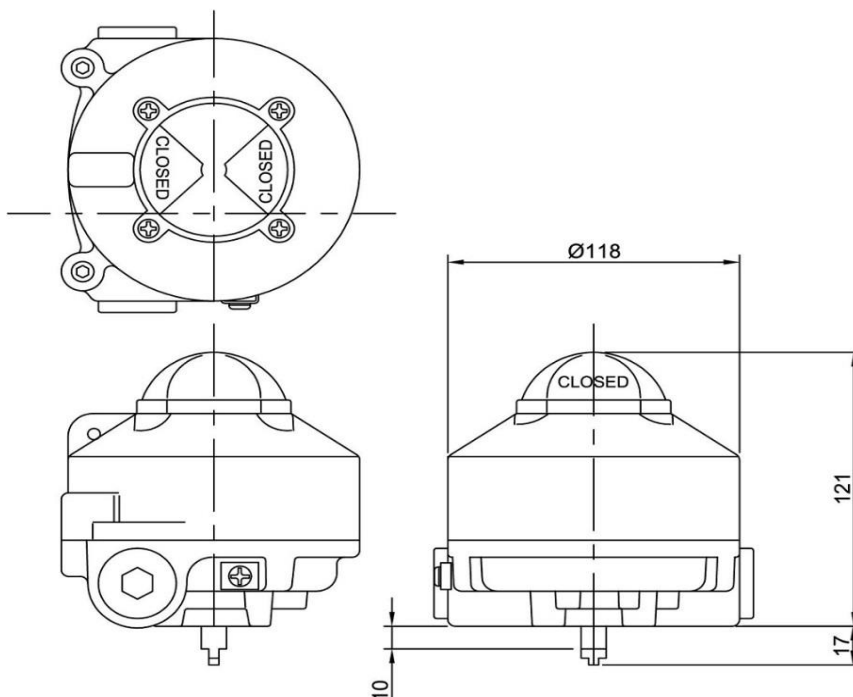


Enclosure:	Weather-proof IP67, NEMA 4, 4X
Temperature Range:	-20 to +80 °C
Conduit Entries:	2 x 3/4 NPT (opt. PG, PT, M20/25)
Terminal Setting:	8 Points
Position Indicator:	Red for closed, Yellow open
Switch Type:	2-SPDT Honeywell Mechanical switches
Painting:	Polyester powder coating
Bracket:	Stainless steel

## WIRING DIAGRAM



## DIMENSION (mm)



The specification and dimensions are subject to change without prior notice!