

**SPECIFICATION**

- 3-Way Reduced Bore L-port / T-port
- Handle with Locking Device as standard
- Standard Valve Seat R-PTFE
- End Connection: Threaded End BSPT  
Options for NPT, BSPP (G)
- Working Pressure: 1/4 ~ 2" 1000 PSI W.O.G

**APPLICATIONS**

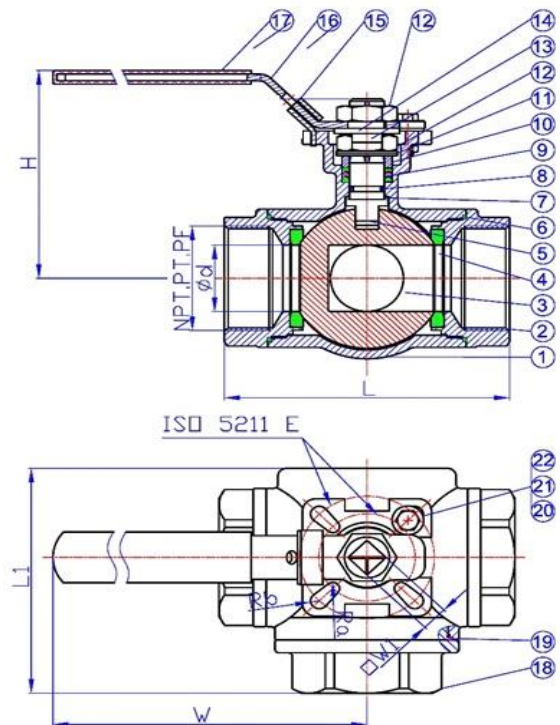
- Suitable for Water, Oil, Gas, Air & Steam
- Working Temperature up to 180° C

**#AT341B - SS316 BODY**



**MATERIAL LIST**

NO.	PART NAME	MATERIAL AT341B
1	Body	CF8M
2	Cap	CF8M
3	Ball	SS316
4	Seat	R-PTFE
5	Stem	SUS316
6	Gasket	PTFE
7	Thrust washer	15% R+PTFE
8	O-ring	VITON
9	Packing	PTFE
10	Gland	SUS304
11	Spring washer	SUS304
12	Stem nut	SUS304
13	Belleville washer	SUS304
14	Handle washer	SUS304
15	Locking device	SUS304
16	Handle	SUS304
17	Handle sleeve	PLASTIC
18	Cap	CF8M
19	Gasket	PTFE
20	Stopper pin	SUS304
21	Bolt	SUS304
22	Nut	SUS304



**DIMENSIONS (mm)**

Size (inch)	1/4	3/8	1/2	3/4	1	1-1/4	1-1/2	2			
DN	8	10	15	20	25	32	40	50			
d	9	11	12.5	16	20	25	32	38			
L	79	79	79	83	102	120	126	150			
L1	64	64	64	68	82	90	106	123			
H	73	73	73	80	95	98	110	119			
W	139	139	139	139	160	160	185	185			
W1	9	9	9	9	11	11	14	14			
E (ISO5211)	F03/04	F03/04	F03/04	F03/04	F04/05	F04/05	F05/07	F05/07			
Weight (kg)											

The specification and dimensions are subject to change without prior notice!