



AUTOMA

Automatic Valve & Accessories

CF8M BODY WITH CF8M DISC WAFER TYPE BUTTERFLY VALVE SERIES ACS (PINLESS TYPE)



The stainless steel body design offers esthetic appearance, strength and compatible flange connection to international standards. Its top flange is designed to ISO5211 for the direct mounting of gear operator or actuators which eliminate the cost of mounting bracket. The one piece design body provides outstanding protection against particle entrapment and bacterial growth. AUTOMA offers various materials for the valves seat and disc to meet the various requirements of customers. The fine finishing of seat surfaces and the polished edge of disc give good sealing and reduction in operating torque. The upper and lower shafts are well supported and properly sealed to prevent leakage. This pin less design has eliminated the potential of leak through pin hole.



 ISO 9001:2008 CERTIFICATE NO. 0436-2002-AQ-RGC-RVA-Rev.1	 Pressure accessory CERTIFICATE NO. 4588-2014-CE-RGC-ACCREDIA	 CE Notified Body No. 0496 CERTIFICATE NO. 4590-2014-CE-RGC-ACCREDIA	 Det Norske Veritas Rules for Classification of Ships Det Norske Veritas Standards for Certification 2.9 No.5.794,40 CERTIFICATE NO. P-12513	 BM TRADA CERTIFICATION ISO 9001:2008 UKAS MANAGEMENT SYSTEMS 012 Certificate Number : 8711
--	--	---	--	---

Dimensions in mm

SIZES		A	B	C	ØD1	ØD2	ØD3	a°	ØE1	ØE2	ØE3	ØE4	* TORQUE (Nm)			Cv	WT. (KG)
DN	In.												(PTFE)	(PN 10)	(PN 16)		
40	1 1/2	136	69	32.0	42.6	105.6	23.0	45.00	50	7	65	35	17	13	13	19	1.8
50	2	156	80	42.0	52.9	120.0	24.0	45.00	50	7	65	35	18	14	15	31	2.7
65	2 1/2	162	89	44.7	64.5	136.1	28.0	45.00	50	7	65	35	20	15	17	55	3.2
80	3	170	95	45.2	78.8	152.4	24.5	45.00	50	7	65	35	29	22	23	87	3.6
						154.5	24.5	22.50									
100	4	185	119	52.1	104.3	182.5	27.0	22.50	70	10	90	55	48	37	40	140	5.0
125	5	207	127	54.4	123.3	212.5	26.0	22.50	70	10	90	55	75	58	62	224	6.9
150	6	216	139	55.8	156.0	238.1	26.0	22.50	70	10	90	55	122	94	102	328	8.6
200	8	256	175	60.6	202.5	293.0	26.0	15.00	102	12	125	70	226	174	192	572	15.5
						296.1	27.0	22.50									
250	10	248	203	65.6	250.8	357.0	30.5	15.00	102	12	125	70	372	286	323	837	26.8
						400.0	25.0	11.25									
300	12	280	242	76.9	301.6	416.7	40.5	15.00	102	12	125	70	558	429	490	1241	35.1
						445.0	25.0	11.25									
						470.0	28.0	11.25									
350	14	368	267	75.0	333.5	470.0	28.0	11.25	102	12	125	70	715	550	625	1564	45.6
						476.2	32.5	15.00									

Dimension included ANSI125/150, JIS10K, (EN1092-2, BS4504, DIN2501) PN10/16, AS2129 TABLE E

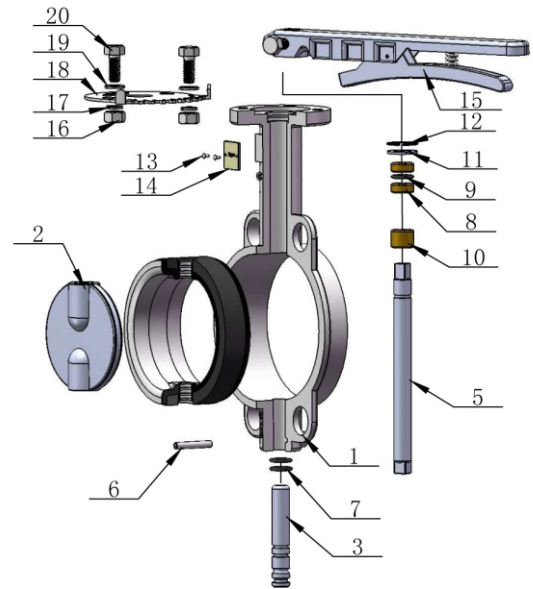
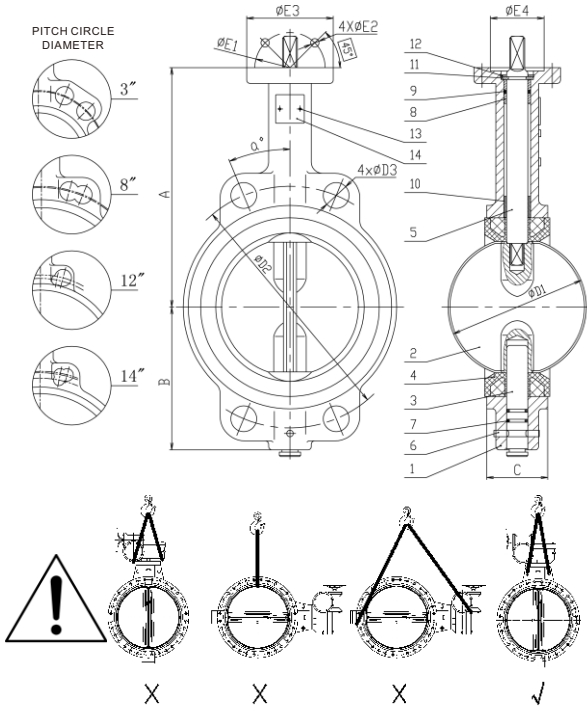
Note : Cv = US Gallon per minutes



**IF PTFE SEAT ONLY WITH PN10
14" AND ABOVE ONLY WITH SAND CASTING
PTFE TEMPERATURE DEPEND ON THE LINED RUBBER
* Torque PTFE / Torque PN10&16 for Rubber Seat**

Working Temperature

Temperature °C	-10 ~ 80	-15 ~ 140	-20 ~ 150	-20 ~ 180	-50 ~ 200
Seat Material	NBR	EPDM	VITON	PTFE	SILICONE



Material

No.	PART	QTY.	MATERIAL
1	BODY	1	CF8M
2	DISC	1	CF8M
3	LOWER STEM	1	SUS 316
4	SEAT	1	PTFE LINED EPDM
5	UPPER STEM	1	SUS 316
6	LOCK PIN	1	SUP6
7	LOWER 'O' RING	2	EPDM
8	BUSHING	2	PTFE
9	'O' RING	1	EPDM
10	BUSHING	1	PTFE
11	HALF RING	2	SUS 416
12	RETAINER RING	1	SPRING STEEL
13	RIVET	2	ALUMINIUM
14	NAMEPLATE	1	ALUMINIUM
15	HANDLE	1	SUS 304
16	HEX NUT	2	SUS 304
17	SPRING WASHER	2	SUS 304
18	INDICATOR	1	SUS 304
19	WASHER	2	SUS 304
20	HEX BOLT	2	SUS 304

Pressure Test

* PTFE SEAT ONLY WITH 1.0 Mpa

SIZE	1 1/2" - 12"		M14"	
	Working Pressure	1.6 MPa	10K (1.4 / 14)	1.0 MPa
Hydrostatic Test	Seal	1.76 / 17.6	1.6 / 16	1.1 / 11
	Body	2.4 / 24	2.1 / 21	1.5 / 15

Standard:

Design Standard	: BS EN593
Face to Face	: BS EN558-1
Flange Connection	: EN1092-1 PN10/16 JIS B2210 10K : DIN 2501 PN10/16 ANSI B16 150 : AS 2129 TABLE E
Top Flange	: ISO 5211
Test Standard	: BS EN12266-1 / API 598

The contents of this literature for informative purposes only. Automa is not responsible for suitability or compatibility of these products in relation to system requirement. For specific requirements, consult Automa or its distributors. Automa reserves the right to change or modify product design without prior notice.



AUTOMA

Automatic Valve & Accessories

TTS Valve Technologies Sdn. Bhd.

(A Member Company of Unimech Group Berhad)

24 Jalan TS 6/9, Taman Industri Subang, 47510 Subang Jaya, Selangor Darul Ehsan, MALAYSIA

Tel : +60356218811

Fax : +60356213278

Email : info@ttsvalve.com Website : www.ttsvalve.com.my

©2014 Automa Valve ACS

08/14