

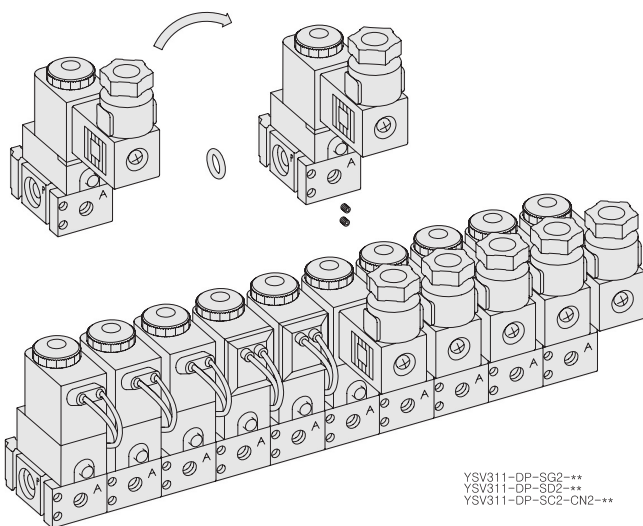
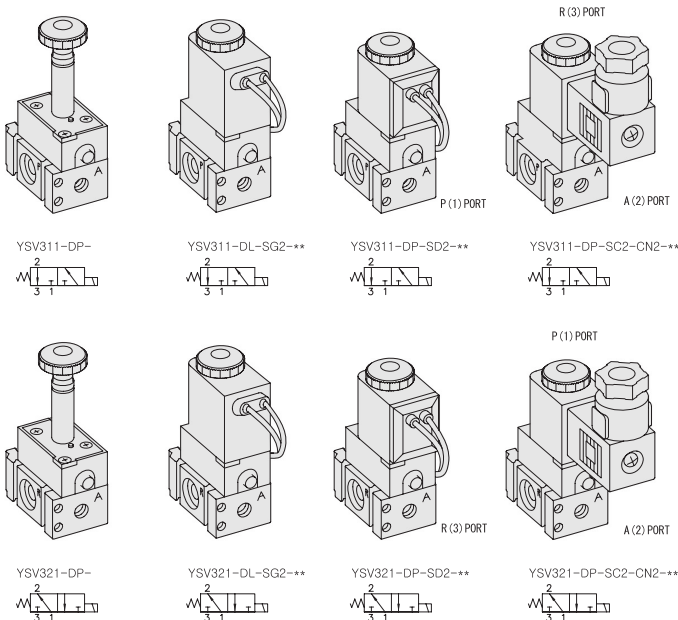
YSV300. 1/8

Direct Actuated
Staking Body Valves

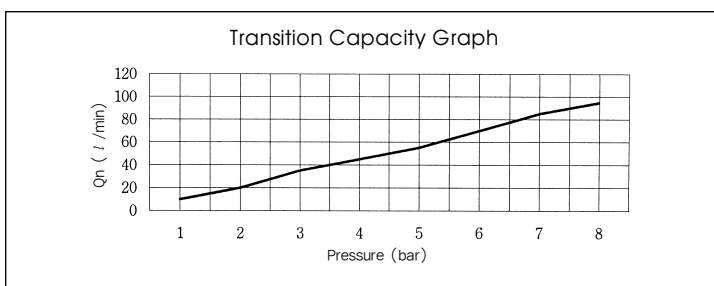
- 3/2- Direct Operation Type
- High Durability
- Orifice \varnothing 1.5mm

SPECIFICATION

ITEM	SERIES	YSV311	YSV321
	FUNCTION	3/2-N.C	3/2-N.O
Fluids	Compressed Air & Inert Gases		
Pressure(bar)	0~8.0		
Orifice(mm)	P = \varnothing 1.5, R = \varnothing 1.5		P = \varnothing 1.5, R = \varnothing 1.5
Ambient & Fluid Temp.	5~60°C (41~140°F)		
Response Time(5bar)	20ms or Less		
Max. Working Frequency	8c/sec		
Lubrication	Not Required(Use ISO VG32 #)		
Manual Override	Push Button(Standard), Lever Lock(Optional)		
Coil Insulation Class	F-Class or Equivalent		
Permissible Voltage Variation	\pm 10% of Rated Voltage		
Off Min. Residual Voltage	AC:20% or Less / DC:10% or Less		
Power Consumption	AC:3.5VA(60Hz) / DC:2.5W		



** : Voltage Selection (see page 80)



The Material of Parts

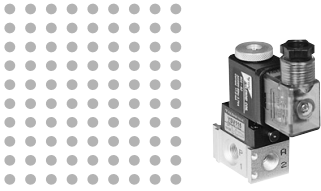
- Valve Body : Aluminium
- Pilot Parts : Glass Filled Nylon
- Spring : Stainless
- Seals : NBR
- Armature : Stainless Steel
- Armature Seals : Viton
- Pilot Plate : Zinc Pressure Die-Cast

* The specification on each item can be amended without any prenotice to improve a performance.
* The specification on each item can be different from actual specification.

ORDERING NO.

YSV3 1 1 - D P - SC2 - CN2 - A2

Valve Series	Function	Port Size & Thread	Pilot Source	Manual Operator	Solenoid Coil Type	Connector Type	Voltage
YSV3 : Solenoid Valve	1	1 G 1/8	D Direct Operated	P Push Non-Locking Override	0 None	0 None	0 None
	2	2 NPT 1/8		L Lever Locking Override	SC2 3 Pin Connector Coil	CN2 Normal Connector	A2 AC 220V
					SG2 Grommet/Flying Leads	CD2 Connector With LED	A1 AC 110V
					SD2 Grommet/Flying Leads With LED	CZ2 Connector With LED & Surge Suppressor	A4 AC 24V
							D4 DC 24V
							D2 DC 12V



Direct Solenoid Actuated Valves

Port Thread **1/8**

PORT	TYPE	N.C	N.O
X	P(1)	R(3)	
Y	A(2)	A(2)	
Z	R(3)	P(1)	

YSV310-DP-SD2-***
 Normally Closed

YSV320-DP-SD2-***
 Normally Open

YSV310-DP-SG2-***
 Normally Closed

YSV320-DP-SG2-***
 Normally Open

YSV310-DP-SC2-CN2-***
 Normally Closed

YSV320-DP-SC2-CN2-***
 Normally Open

$A = (24.8n + 4.0)$
 $B = (24.8n - 11.2)$

$n = \text{STATION}$

A, B = DIMENSIONS		n = STATION								
ITEM	n	2	3	4	5	6	7	8	9	10
A		53.6	78.4	103.2	128.0	152.8	177.6	202.4	227.2	252.0
B		38.4	63.2	88.0	112.8	137.6	162.4	187.2	212.0	236.8